

东莞市纳百川电子科技有限公司 DONGGUAN NBC ELECTRONIC TECHNOLOGIC CO., LTD

Tel:86-769-8511 7870 8511 6250 8151 5080 8151 5081 Fax:86-769-85117850

[Http://www.anen-power.com](http://www.anen-power.com)

Email:sales@anen-power.com



## 安能电源连接器

Anen power Connector

纳百川料号 (NBC Code): SA50

物料名称 (Name of Material): 安能 50A 双极电源连接器

版次: A

拟制 (Drafted By): Mark\_lee

审核 (Reviewed By): Lzy

批准 (Approved By): Ldg

发行日期: 2008 年



一. 物料名称 (Name of Material): 50A 安能单极电源连接器 Anen Power Series 350 Connectors (2-Pole Battery)

二. 规格型号 (Type) : SA50

三. 技术参数 (Technical Parameters)

1. 产品特性要求 (Product Specifications)

额定电流 (Rated Current): 50A

额定电压 (Rated Voltage): 600V

绝缘电阻 (Insulation resistance): 500MΩ

产品接触电阻 (contact resistance) : 0.055 ± 0.005mΩ (毫欧)

耐电压 (Voltage Proof): 2200V (DC)

使用线径 (Contact Barrel Wire Size): 6AWG / 10/12AWG (13.3mm<sup>2</sup> ~ 5.3/3.3mm<sup>2</sup>)

机械寿命 (Mechanical Life): ≥ 5000 次

胶壳防火等级 (Flammability Rating of Housing Material): UL94 V-0

五金端子插拔力 (Avg. Connection/Disconnect)

A. 成品插入力 (The insertion force of finished products): ≥ 1.5 kgf

B. 成品拔出力 (The pullout force of finished products): ≥ 2.0 kgf

C. 线材与端子拉拔力: 参考同规格 UL 标准; The Pulling capacity between wire and terminal, It's in line with UL standard:

2. 材料及表面处理 (Material and Surface Performance)

A. 端子 (Contacts):

材料 (Material): 紫铜 (Red Copper)

生产工艺 (Process of Production): 精密冲压 (Precision Punching)

表面处理: 镀银, 厚度 1 μm (Fully Ag-plating on surface, its Ag-plating thickness is 1 μm)

B. 胶壳 (Housing)

材料 (Material): PC2320 / PC2320

**颜色 (Colour): 红. 蓝. 灰. 黑; (Red, Blue, Gray, Black), 其中灰色与黑色接口相同;**

(Note: Elack color housing has the same mechanical key as gray Housing)

生产工艺 (Process of Production): 注塑成型 (Plastic Injection)

四. 最大外型尺寸 (Most figure size) : 49\*35\*16

五. 物料简介 (Brief Introduction of Material)

1. 基本情况 (Basic Condition)

A. 此系列 Anen 安能连接器主要适合电源部分. 大电流和高电压接触场合使用; (Anen connector series mostly is suitable for electrical source mains, high current and high voltage usage)

B. 接触迅速, 插拔时杂波少; (rapid contact, low noise caused by mating)

C. 产品 UL 认证号码: **E319259**; (File No. E319259 of UL)

D. 产品适用行业 Applicable products industry

(1). 物料输送设备/电动车辆 MATERIAL HANDLING / ELECTRIC VEHICLES

(2). 电信设备. 仪器 TELECOMMUNICATIONS



(3). UPS 系统 UPS SYSTEMS

(4). 个人移动市场(移动产品) PERSONAL MOBILITY MARKET

(5). 医疗设备 MEDICAL

(6). 组合式办公设备 MODULAR OFFICE EQUIPMENT

(7). AC/DC 电源设备 AC/DC POWER MANAGEMENT

2. 包装储存 (Packing and Storage)

A. 胶壳最少包装 500PCS/袋; 端子最少包装 **500PCS/袋**, 配用方式: 一对一; (standard packing qty: 500PCS/bag for connector, 500PCS/bag for terminal; Mate with way : (1 connector uses 1 terminal) or one to one

B. 产品储存环境温度: 5-30℃, 相对湿度在: 80%以下, 周围空气中无酸. 碱等腐蚀气体的仓库中, 储存期为: 两年(从生产日期算起); (The products storage condition: temperature: 5-30℃, relative humidity: 80%, store in no acidic nor alkaline and no corrosive atmosphere warehouse, storage period: 2years (from production date)

六. 产品料号对照表 Ordering Information

A. 胶壳料号 Housings Only

| 胶壳颜色 Housing Color | 料号 Part Number |
|--------------------|----------------|
| 红 Red housing      | SA50B2-H       |
| 黄 Yellow Housing   | SA50B4-H       |
| 绿 Green Housing    | SA50B5-H       |
| 蓝 Blue Housing     | SA50B6-H       |
| 灰 Gray Housing     | SA50B8-H       |
| 白 White Housing    | SA50B9-H       |
| 黑 Black Housing    | SA50B0-H       |

B. 端子料号 Contacts

| 料号 Part Number | 线径 Wire OD                |
|----------------|---------------------------|
| PA5900-T       | 6 (AWG) / 13.3 (sq. mm)   |
| PA5915-T       | 10/12AWG 5.3/3.3 (sq. mm) |

C. 整套产品料号 (Housing & 45Amp Contact)

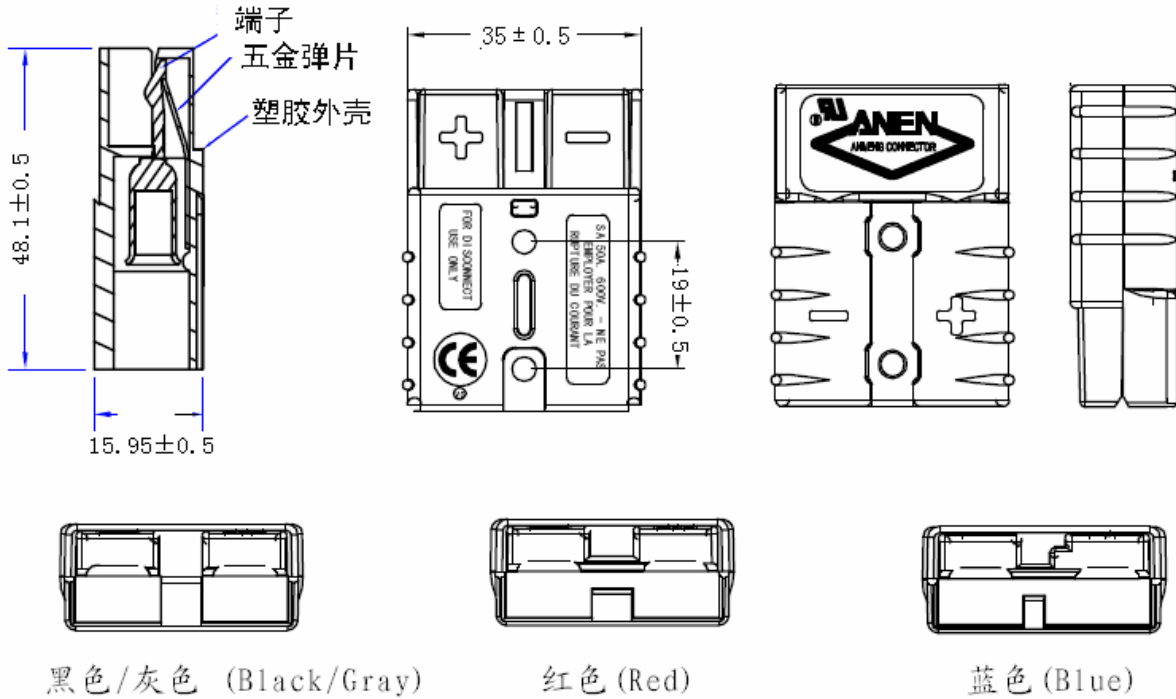
| 料号 Part Number | 胶壳颜色 Housing Color | 配套端子 Contact |
|----------------|--------------------|--------------|
| SA50-2         | 红 Red housing      | PA5900-T     |
| SA50-4         | 黄 Yellow Housing   | PA5900-T     |
| SA50-5         | 绿 Green Housing    | PA5900-T     |
| SA50-6         | 蓝 Blue Housing     | PA5900-T     |
| SA50-8         | 灰 Gray Housing     | PA5900-T     |
| SA50-9         | 白 White Housing    | PA5900-T     |
| SA50-0         | 黑 Black Housing    | PA5900-T     |

| 料号 Part Number | 胶壳颜色 Housing Color | 配套端子 Contact |
|----------------|--------------------|--------------|
| SA50-2-1       | 红 Red housing      | PA5915-T     |
| SA50-4-1       | 黄 Yellow Housing   | PA5915-T     |
| SA50-5-1       | 绿 Green Housing    | PA5915-T     |



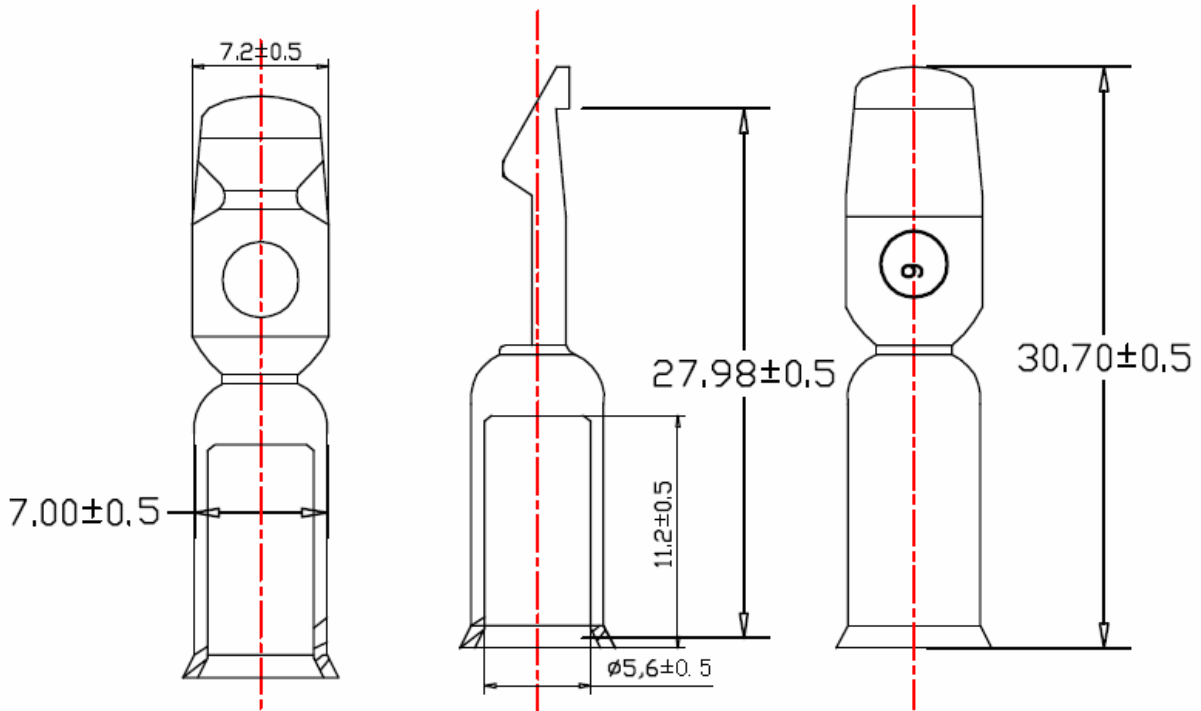
|          |                 |          |
|----------|-----------------|----------|
| SA50-6-1 | 蓝 Blue Housing  | PA5915-T |
| SA50-8-1 | 灰 Gray Housing  | PA5915-T |
| SA50-9-1 | 白 White Housing | PA5915-T |
| SA50-0-1 | 黑 Black Housing | PA5915-T |

七. 产品图形及组装方式示意图 (product drawing and combination illustration)





PA5900-T 五金端子主要尺寸



PA5915-T 五金端子主要尺寸

