

东莞市纳百川电子科技有限公司 DONGGUAN NBC ELECTRONIC TECHNOLOGIC CO., LTD

Tel:86-769-8511 7870 8511 6250 8151 5080 8151 5081 Fax:86-769-85117850

[Http://www.anen-power.com](http://www.anen-power.com)

Email:sales@anen-power.com



安能电源连接器

Anen power Connector

纳百川料号 (NBC Code): SA175

物料名称 (Name of Material): 安能 175A 双极电源连接器

版次: A

拟制 (Drafted By): Mark-lee

审核 (Reviewed By): Lzy

批准 (Approved By): Ldg

发行日期: 2008 年



一. 物料名称 (Name of Material): 安能 175A 双极电源连接器 (Anen Power Series 175 Connectors (2-Pole Battery))

二. 规格型号 (Type) : SA175

三. 技术参数 (Technical Parameters)

1. 产品特性要求 (Product Specifications)

额定电流 (Rated Current): 175A

额定电压 (Rated Voltage): 600V

绝缘电阻 (Insulation resistance): $\geq 500M\Omega$

产品接触电阻 (contact resistance) : $0.035 \pm 0.005m\Omega$ (毫欧)

耐电压 (Voltage Proof): 2200V (DC)

使用线径 (Contact Barrel Wire Size): 1/0AWG or 2AWG ($53.5mm^2 \sim 33.6mm^2$)

机械寿命 (Mechanical Life): ≥ 5000 次

胶壳防火等级 (Flammability Rating of Housing Material): UL94 V-0

五金端子插拔力 (Avg. Connection/Disconnect)

A. 成品插入力 (The insertion force of finished products): ≥ 4.5 kgf

B. 成品拔出力 (The pullout force of finished products): ≥ 5.0 kgf

C. 线材与端子拉拔力: 参考同规格 UL 标准; The Pulling capacity between wire and terminal ,It's in line with UL standard:

2. 材料及表面处理 (Material and Surface Performance)

A. 端子 (Contacts):

材料 (Material): 紫铜 (Red Copper)

生产工艺 (Process of Production): 精密冲压 (Precision Punching)

表面处理: 镀银, 厚度 $1\mu m$ (Fully Ag-plating on surface, its Ag-plating thickness is $1\mu m$)

B. 胶壳 (Housing)

材料 (Material): PC2320 / PC2320

颜色 (Colour): 红. 黄. 灰. 黑. 蓝; (Red, Yellow, Gray, Black, Blue), 其中灰色与黑色接口相同; (Note: Elack color housing has the same mechanical key as gray Housing)

生产工艺 (Process of Production): 注塑成型 (Plastic Injection)

四. 最大外型尺寸 (Most figure size) : **80*54*26**

五. 物料简介 (Brief Introduction of Material)

1. 基本情况 (Basic Condition)

A. 此系列 Anen 安能连接器主要适合电源部分. 大电流和高电压接触场合使用; (Anen connector series mostly is suitable for electrical source mains, high current and high voltage usage)

B. 接触迅速, 插拔时杂波少; (rapid contact, low noise caused by mating)

C. 产品 UL 认证号码: **E319259**; (File No. E319259 of UL)

D. 产品适用行业 Applicable products industry

(1). 物料输送设备/电动车辆 MATERIAL HANDLING / ELECTRIC VEHICLES

(2). 电信设备. 仪器 TELECOMMUNICATIONS

(3). UPS 系统 UPS SYSTEMS



(4). 个人移动市场 (移动产品) PERSONAL MOBILITY MARKET

(5). 医疗设备 MEDICAL

(6). 组合式办公设备 MODULAR OFFICE EQUIPMENT

(7). AC/DC 电源设备 AC/DC POWER MANAGEMENT

2. 包装储存 (Packing and Storage)

A. 胶壳最少包装 200PCS/袋; 端子最少包装 **500PCS/箱**, 配用方式: 一对一; (standard packing qty: 200PCS/bag for connector, 500PCS/bag for terminal; Mate with way : (1 connector uses 1 terminal) or one to one

B. 产品储存环境温度: 5-30℃, 相对湿度在: 80%以下, 周围空气中无酸. 碱等腐蚀气体的仓库中, 储存期为: 两年 (从生产日期算起); (The products storage condition: temperature: 5-30℃, relative humidity: 80%, store in no acidic nor alkaline and no corrosive atmosphere warehouse, storage period: 2years (from production date)

六. 产品料号对照表 Ordering Information

A. 胶壳料号 Housings Only

胶壳颜色 Housing Color	料号 Part Number
红 Red housing	SA175B2-H
黄 Yellow Housing	SA175B4-H
蓝 Blue Housing	SA175B6-H
灰 Gray Housing	SA175B8-H
黑 Black Housing	SA175B0-H

B. 端子料号 Contacts

料号 Part Number	线径 Wire OD
PA1382-T	1/0 (AWG) / 53.5 (sq. mm)
PA1383-T	2AWG / 33.6 (sq. mm)

C. 整套产品料号 (Housing & 45Amp Contact)

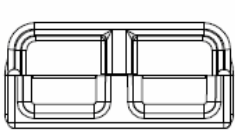
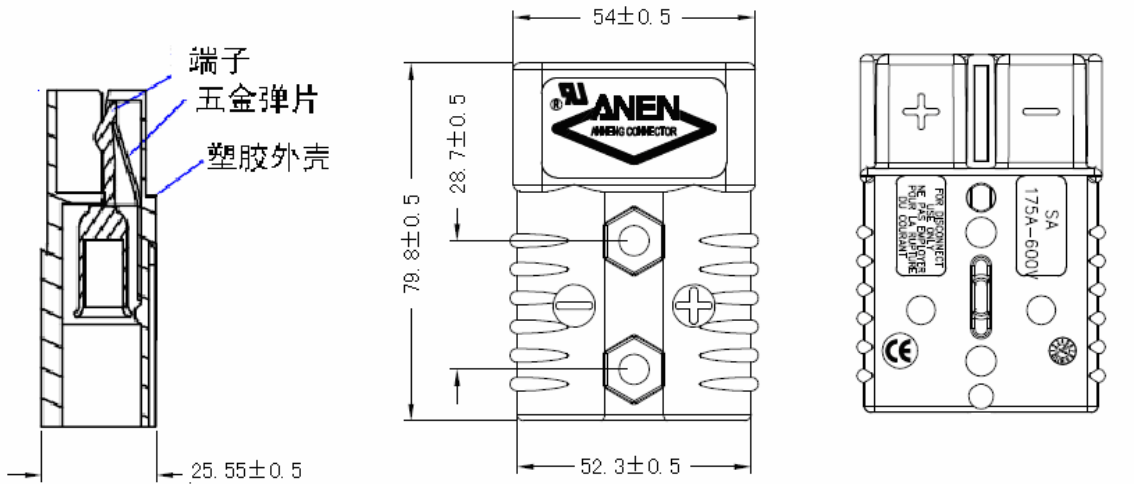
料号 Part Number	胶壳颜色 Housing Color	配套端子 Contact
SA175-2	红 Red housing	PA1382-T
SA175-4	黄 Yellow Housing	PA1382-T
SA175-6	蓝 Blue Housing	PA1382-T
SA175-8	灰 Gray Housing	PA1382-T
SA175-0	黑 Black Housing	PA1382-T

料号 Part Number	胶壳颜色 Housing Color	配套端子 Contact
SA175-2-1	红 Red housing	PA1383-T
SA175-4-1	黄 Yellow Housing	PA1383-T
SA175-6-1	蓝 Blue Housing	PA1383-T
SA175-8-1	灰 Gray Housing	PA1383-T
SA175-0-1	黑 Black Housing	PA1383-T

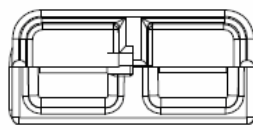
D. SA175 配套拉手 FRAME HANDLES (见图面)



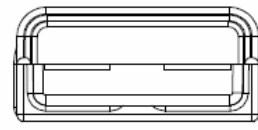
七. 产品图形及组装方式示意图 (product drawing and combination illustration)



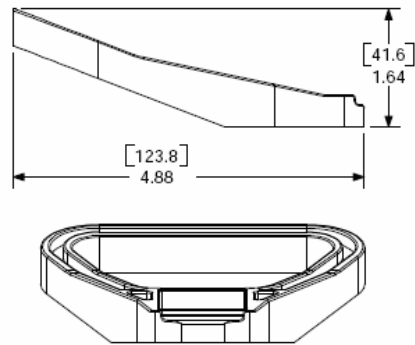
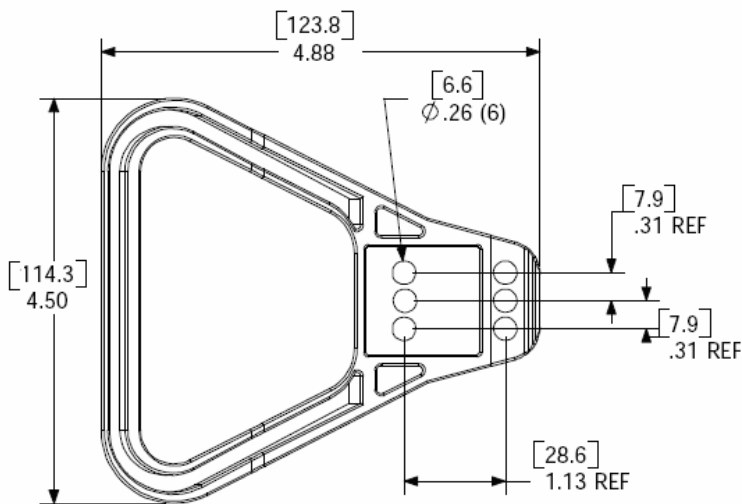
灰色/黑色 (Gray/Black)



红色 (Red)



黄色 (Yellow)

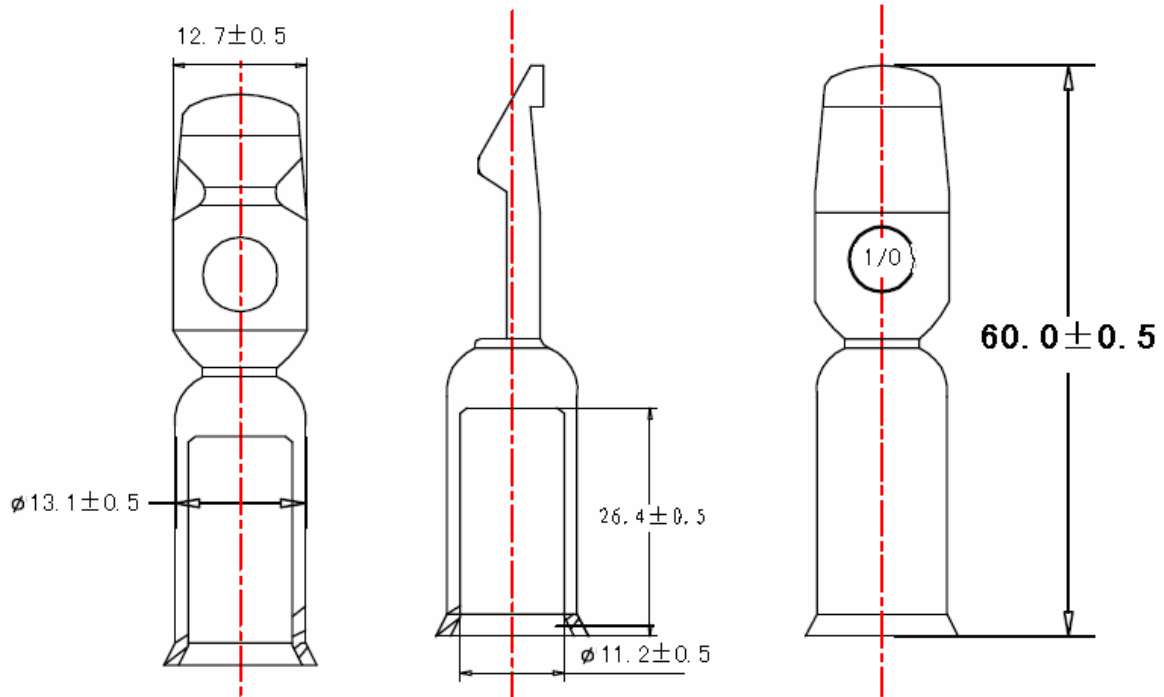


SA175拉手 FRAME HANDLES

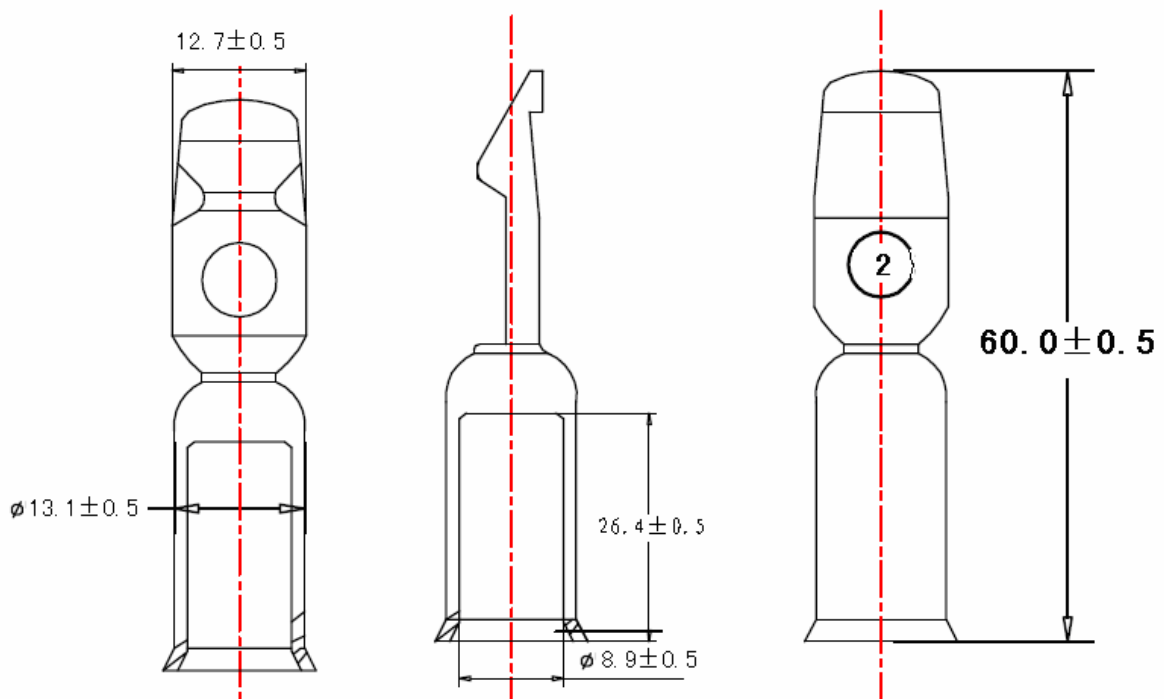
- 1. 红色 (Red)
- 2. 灰色 (Gray)



PA1382-T 五金端子主要尺寸

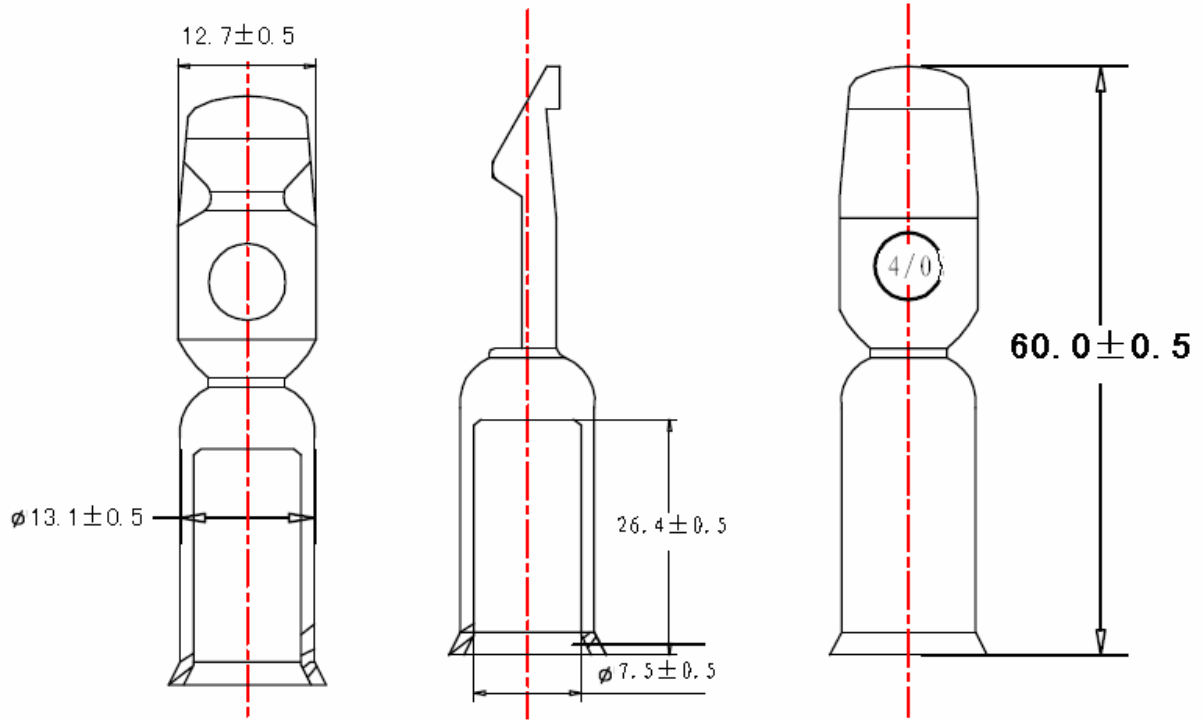


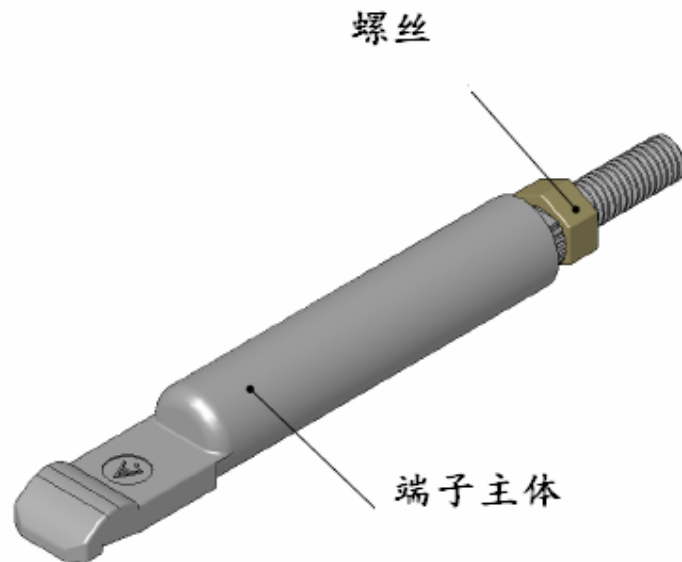
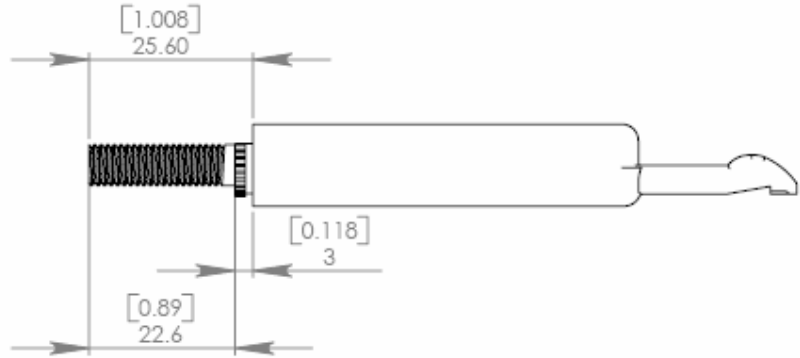
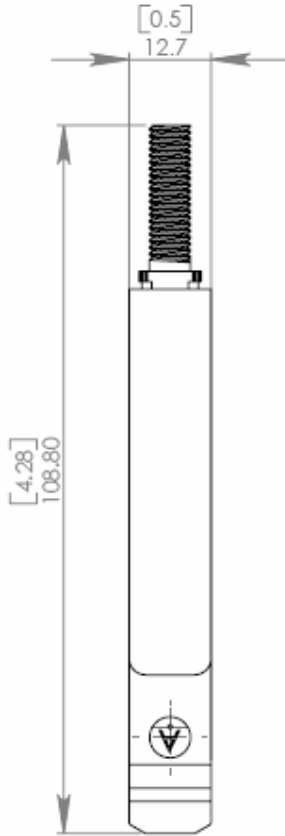
PA1383-T 五金端子主要尺寸





PA1384-T 五金端子主要尺寸





175BBS端子主要尺寸