



安能电源连接器

Anen power Connectors

纳百川料号(NBC Code): PA75

物料名称(Name of Material): 安能 75A 单极电源连接器

版次: A

拟制(Drafted By): Mark-lee

审核(Reviewed By): Lzy

批准(Approved By): Ldg

发行日期: 2008 年



一. 物料名称 (Name of Material): 75A 安能单极电源连接器 Anen Power Series 75 Connectors (Single -Pole)

二. 规格型号 (Type) : PA75

三. 技术参数 (Technical Parameters)

1. 产品特性要求 (Product Specifications)

额定电流 (Rated Current): 75A

额定电压 (Rated Voltage): 600V

绝缘电阻 (Insulation resistance): 500MΩ

产品接触电阻 (contact resistance) : 0.055 ± 0.005mΩ (毫欧)

耐电压 (Voltage Proof): 2200V (DC)

使用线径 (Contact Barrel Wire Size): 6AWG/10-12AWG (13.3mm² ~ 5.3/3.3mm²)

机械寿命 (Mechanical Life): ≥ 5000 次

胶壳防火等级 (Flammability Rating of Housing Material): UL94 V-0

五金端子插拔力 (Avg. Connection/Disconnect)

A. 成品插入力 (The insertion force of finished products): ≥ 1.5 kgf

B. 成品拔出力 (The pullout force of finished products): ≥ 2.0 kgf

C. 线材与端子拉拔力: 参考同规格 UL 标准; The Pulling capacity between wire and terminal, It's in line with UL standard:

2. 材料及表面处理 (Material and Surface Performance)

A. 端子 (Contacts):

材料 (Material): 紫铜 (Red Copper)

生产工艺 (Process of Production): 精密冲压 (Precision Punching)

表面处理: 镀银, 厚度 1 μm (Fully Ag-plating on surface, its Ag-plating thickness is 1 μm)

B. 胶壳 (Housing)

材料 (Material): PC2320 / PC2320

颜色 (Colour): 红. 黄. 绿. 蓝. 灰. 白. 黑; (Red, Yellow, Green, Blue, Gray, White, Black)

生产工艺 (Process of Production): 注塑成型 (Plastic Injection)

四. 最大外型尺寸 (Most figure size) : 49*35*16

五. 物料简介 (Brief Introduction of Material)

1. 基本情况 (Basic Condition)

A. 此系列 Anen 安能连接器主要适合电源部分. 大电流和高电压接触场合使用; (Anen connector series mostly is suitable for electrical source mains, high current and high voltage usage)

B. 接触迅速, 插拔时杂波少; (rapid contact, low noise caused by mating)

C. 产品 UL 认证号码: **E319259**; (File No. E319259 of UL)

D. 产品适用行业 Applicable products industry

(1). 物料输送设备/电动车辆 MATERIAL HANDLING / ELECTRIC VEHICLES

(2). 电信设备. 仪器 TELECOMMUNICATIONS

(3). UPS 系统 UPS SYSTEMS



(4). 个人移动市场 (移动产品) PERSONAL MOBILITY MARKET

(5). 医疗设备 MEDICAL

(6). 组合式办公设备 MODULAR OFFICE EQUIPMENT

(7). AC/DC 电源设备 AC/DC POWER MANAGEMENT

2. 包装储存 (Packing and Storage)

A. 胶壳最少包装 500PCS/袋; 端子最少包装 500PCS/袋, 配用方式: 一对一; (standard packing qty: 500PCS/bag for connector, 500PCS/bag for terminal; Mate with way: (1 connector uses 1 terminal) or one to one

B. 产品储存环境温度: 5-30℃, 相对湿度在: 80%以下, 周围空气中无酸. 碱等腐蚀气体的仓库中, 储存期为: 两年 (从生产日期算起); (The products storage condition: temperature: 5-30℃, relative humidity: 80%, store in no acidic nor alkaline and no corrosive atmosphere warehouse, storage period: 2years (from production date)

六. 产品料号对照表 Ordering Information

A. 胶壳料号 Housings Only

胶壳颜色 Housing Color	料号 Part Number
红 Red Housing	PA75B2-H
黄 Yellow Housing	PA75B4-H
绿 Green Housing	PA75B5-H
蓝 Blue Housing	PA75B6-H
灰 Gray Housing	PA75B8-H
白 White Housing	PA75B9-H
黑 Black Housing	PA75B0-H

B. 端子料号 Contacts

料号 Part Number	线径 Wire OD
PA5900-T	6 (AWG) / 13.3 (sq. mm)
PA5915-T	10/12AWG 5.3/3.3 (sq. mm)

C. 整套产品料号 (Housing & 45Amp Contact)

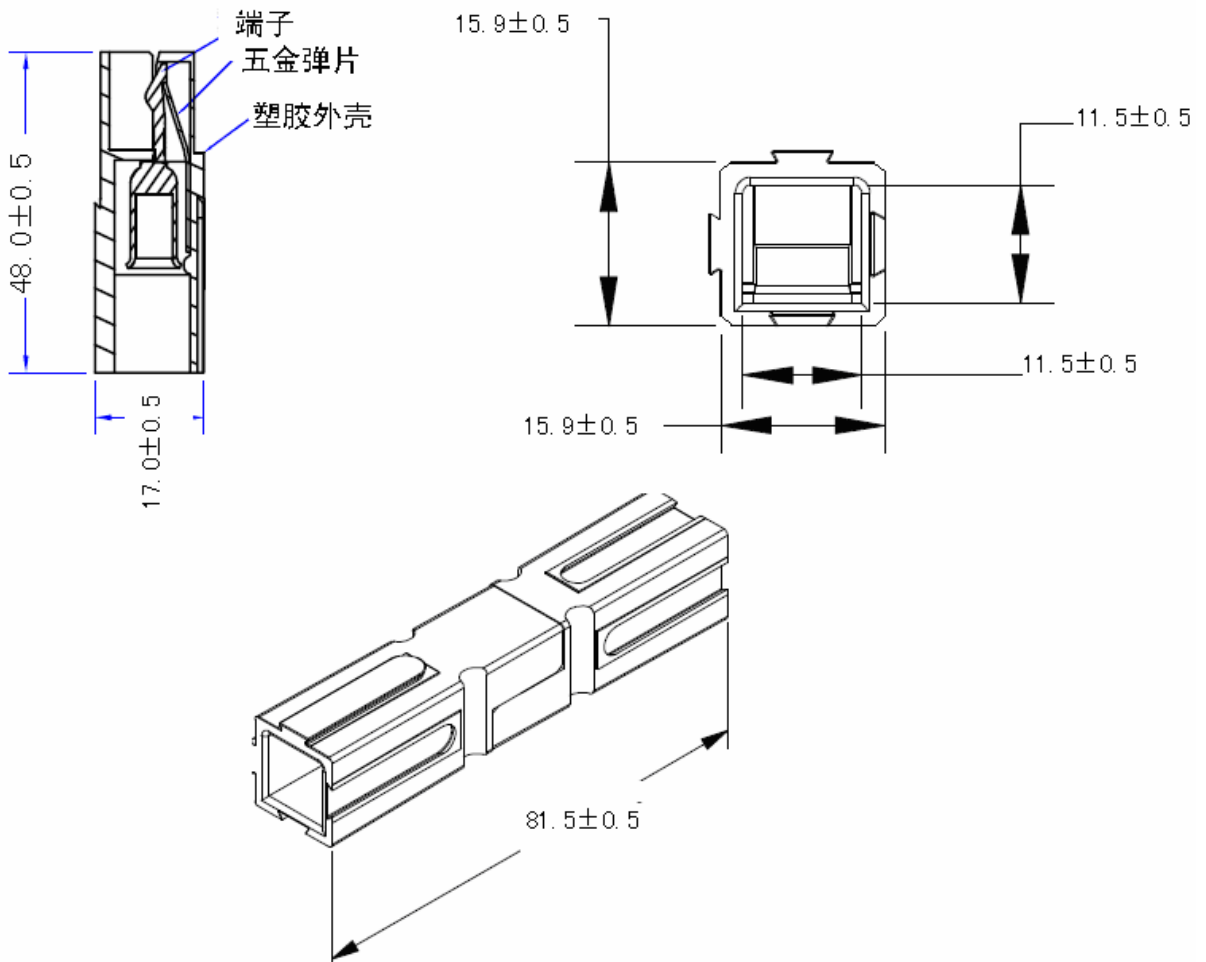
料号 Part Number	胶壳颜色 Housing Color	配套端子 Contact
PA75-2	红 Red Housing	PA5900-T
PA75-4	黄 Yellow Housing	PA5900-T
PA75-5	绿 Green Housing	PA5900-T
PA75-6	蓝 Blue Housing	PA5900-T
PA75-8	灰 Gray Housing	PA5900-T
PA75-9	白 White Housing	PA5900-T
PA75-0	黑 Black Housing	PA5900-T

料号 Part Number	胶壳颜色 Housing Color	配套端子 Contact
PA75-2-1	红 Red Housing	PA5915-T
PA75-4-1	黄 Yellow Housing	PA5915-T
PA75-5-1	绿 Green Housing	PA5915-T



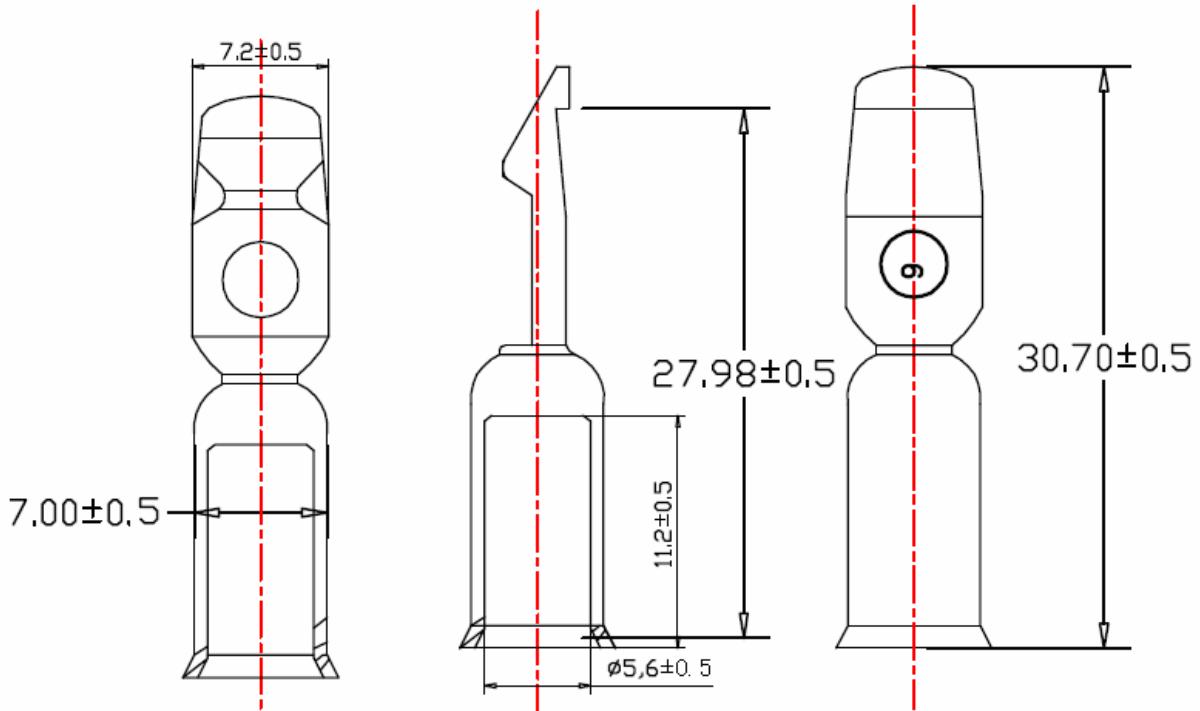
PA75-6-1	蓝 Blue Housing	PA5915-T
PA75-8-1	灰 Gray Housing	PA5915-T
PA75-9-1	白 White Housing	PA5915-T
PA75-0-1	黑 Black Housing	PA5915-T

七. 产品图形及组装方式示意图 (product drawing and combination illustration)





PA5900-T 五金端子主要尺寸



PA5915-T 五金端子主要尺寸

