

# 中山市泰伦特电子科技有限公司

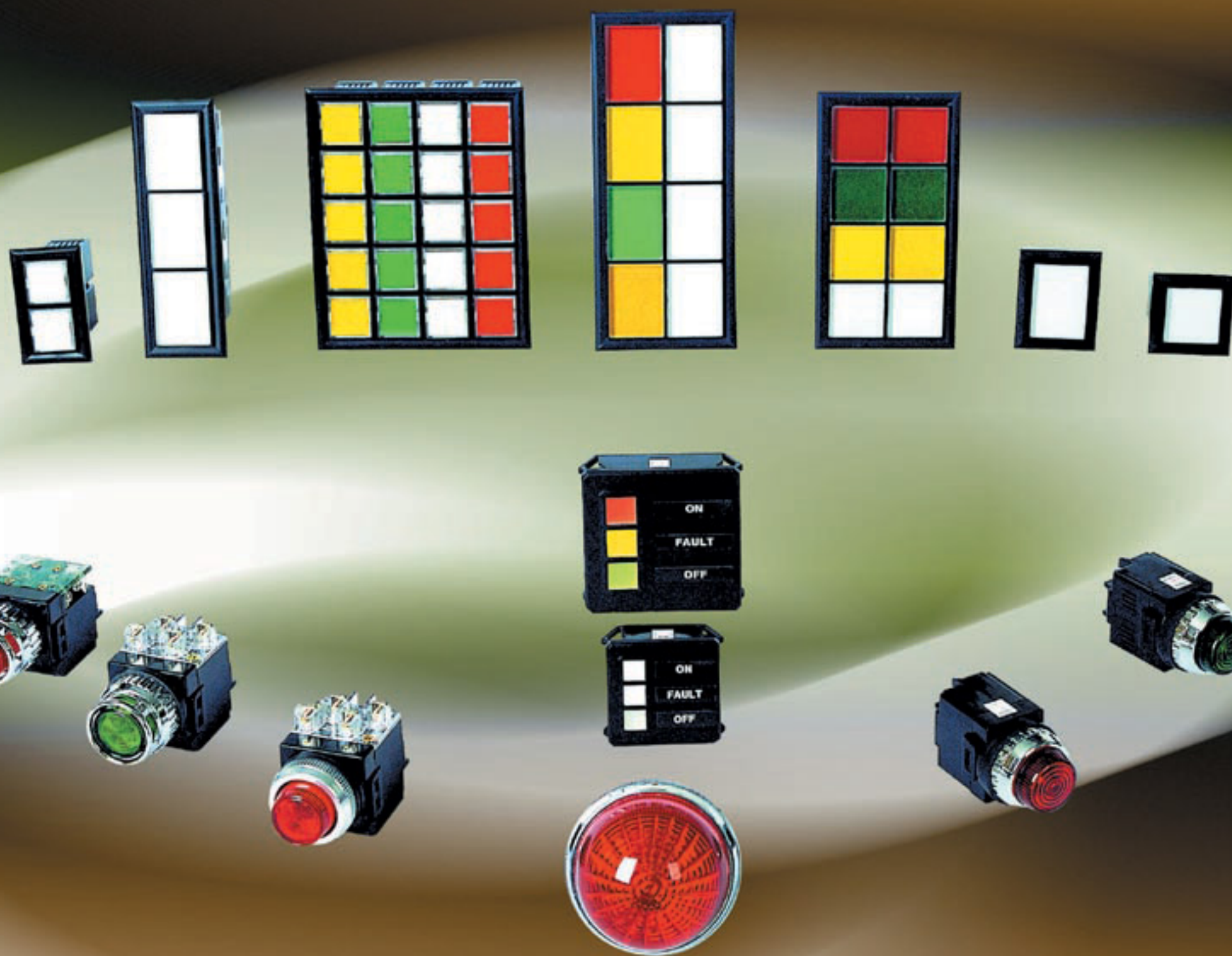
ZHONGSHAN TALENT ELECTRONIC TECHNOLOGIC CO ; LTD

广东省中山市起湾道宝利大厦九楼 G 座 移动电话: 13902826024

电话 (TEL): 0760-6116619 6116629 6116639 8732779 传真 (FAX): 0760- 8306579

[www.talentkj.com](http://www.talentkj.com) email: [talentkj@talentkj.com](mailto:talentkj@talentkj.com)

韩国工控工业自控元器件、仪器仪表、开关按钮、HANYOUNG(韩荣电子)  
AUTONICS (奥托尼克斯) KOINO (建兴) KACON(开控) YONGSUNG(韩国龙  
声) METRONIX DAEYANG(大洋) QLIGHT(Q-LIGHT 可莱特 - 警报灯)  
WOONYOUNG(云永) KONICS MENICS EOCR(三和)、POWNIX(普力士) KWANGWOO  
HEDSS(海德) 旋转编码器 韩国 HONEYWELL(霍尼韦尔) patlite(派特莱)  
SAMYOUNG(韩国三荣) SUNHO(韩国成浩) SUNKWAN(韩国鲜光)  
FOX(DAESUNG 韩国大成) FAS、DongA(东亚机电)、Daeil 大一 电压、电流、  
功率、频率数显表、计数器、计米器、时间继电器, 转速表, 线速度表、温  
控表、接近开关 光电开关, 旋转编码器、光纤开关、液位控制器、按钮开关、  
指示灯、急停开关、选择开关、微动开关、行程开关、多层信号灯, 警示灯,  
层灯, 塔灯, 旋转报警灯、蜂鸣器、防爆报警器 防爆声光报警器 多音报警器 保  
险丝座、接线端子、脚踏开关、脚踏控制器, 脚踏调速器, 脚踏电位器, 电子踏  
板控制器, 天车开关、吊车开关, 行车开关, 凸轮开关 CAM SWITCH、万轮转换开  
关, 组合式光字牌; 十字开关、开关盒等、中间继电器 固态继电器、功率调节  
器



## LAMPS

- 6-1 Illuminated Push Button Switch
- 6-2 Pilot Lamp
- 6-3 Square Lamp (SL-25)
- 6-4 Square Lamp (SL-33)
- 6-5 New Bulletin Rectangle Lamp (NRL-34)
- 6-6 Bulletin Square Lamp (BSL-33)
- 6-7 Bulletin Rectangle Lamp (BRL-34)
- 6-8 Square Lamp (SL-48) (SL-72)

# 6 표시등류 LAMPS



- |                                |                                      |
|--------------------------------|--------------------------------------|
| 6-1 조광형 누름버튼 스위치               | 6-1 Illuminated Push Button Switch   |
| 6-2 원형 표시등                     | 6-2 Pilot Lamp                       |
| 6-3 정사각 표시등 (SL-25)            | 6-3 Square Lamp (SL-25)              |
| 6-4 정사각 표시등 (SL-33)            | 6-4 Square Lamp (SL-33)              |
| 6-5 신형 직사각 기명 표시등 (NRL-34)     | 6-5 New Rectangle Lamp (NRL-34)      |
| 6-6 정사각 표시등 (BSL-33)           | 6-6 Bulletin Square Lamp (BSL-33)    |
| 6-7 직사각 표시등 (BRL-34)           | 6-7 Bulletin Rectangle Lamp (BRL-34) |
| 6-8 직사각 기명 표시등 (SL-48) (SL-72) | 6-8 Square Lamp (SL-48) (SL-72)      |

## 6-1 조광형 누름버튼 스위치 Illuminated Push Button Switch

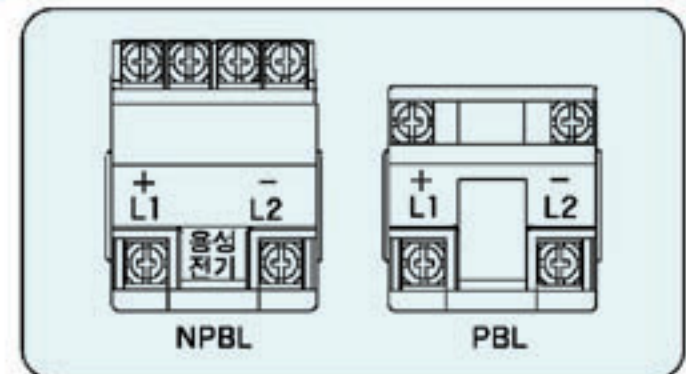
### • 特徴 - Features

- 스위치부의 開閉가 스프링에 依하여 動作되므로 開閉가 正確하고 低電流에도 使用할 수 있도록 되어 있습니다.
- 側面에서 램프의 點燈狀態를 確認할 수 있도록 造角形링을 使用하였습니다.
- A, B接點을 一切形으로 하여 電線連結이 보다 쉬워졌습니다.(2A 및 2B는 제작이 불가합니다.)
- 스위치 回路確認 作業時 開閉部를 肉眼으로 確認할 수 있어 時間이 短縮됩니다.
- By spring switching operation, exact switching and use at low current are possible.
- Carven type ring used for checking lamp lighting state from side.
- Easier wire connection with one switching type of A, B contact.(2A and 2B are not manufactrued.)
- Shortened checking time of switch circuit due to visual checking of switching part.

### • 部品 材質 - Part materials

部 品 (Part)	材 質 (Materials)
몸 체 (Body)	ABS 내열 (Heat resistance ABS) Resin
홀 다 (Holder)	ABS 내열 (Heat resistance ABS) Resin
接 点 (Contact)	은접점 (Silver)
端 子 (Terminal)	黃 銅 (Brass)
볼 트 (Bolt)	MSWR-3 (Zn plating)
캡 (CAP)	AS Resin

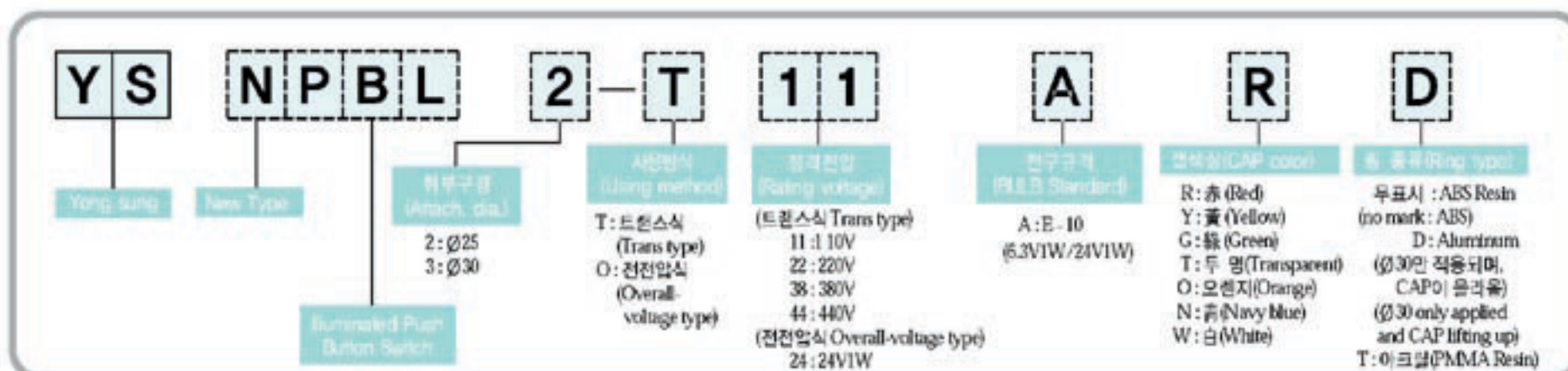
### • 端子 極性 - Terminal Polarity



### • 性能 概要 - Performance Summary

형식(Type)	트랜스식 (trans type)	전전압식 (overall-voltage type)	LED type
성능(Performance)			
定格電壓 (Rating voltage)	AC110V, 220V, 380V, 440V	AC/DC 24V	AC/DC 24V, 48V, 110V, DC 125V, AC220V
2次電壓 (2nd voltage)	5.5V	-	24V
램프定格 (Lamp rating)	6.3V1W	24V1W	20mA
定格容量 (Rating capacity)		AC250V6A	
絶緣抵抗 (Insulation resistance)		above 100MΩ (DC 500V, Meg)	
接觸抵抗 (Contact resistance)		below 20mΩ (initial value)	
耐電壓 (Withstand voltage)		AC 1,500V/min (50~60Hz)	
機械的壽命 (Mechanical lifetime)		above 500,000 times (20times/min)	
電氣的壽命 (Electrical lifetime)		above 100,000 times (20times/min)	
스트로크 (Stroke)		5.5mm	
作動에 必要한 힘 (Operating force)		200 ~ 350g	
使用周圍溫度 (Ambient temperature)		-25℃ ~ +40℃	
相對濕度 (Relative humidity)		45 ~ 85%	

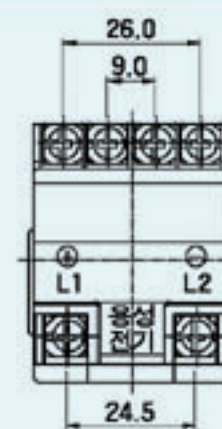
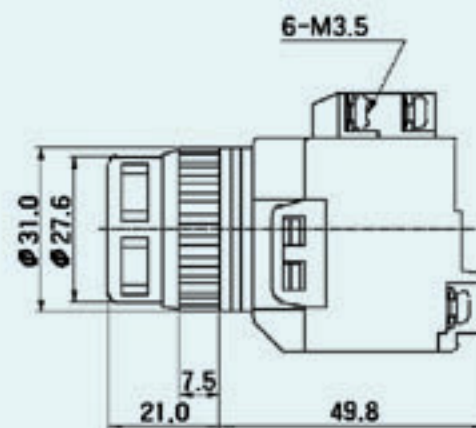
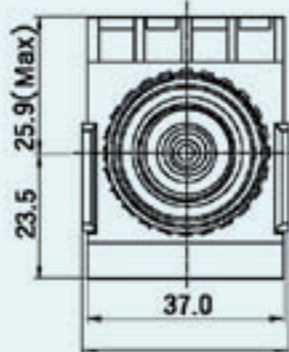
• 形式 區分圖 - Type classification diagram ... BULB Type



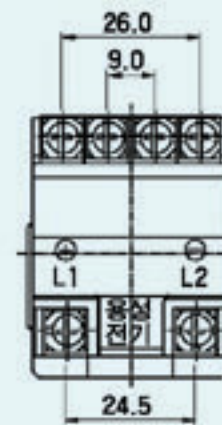
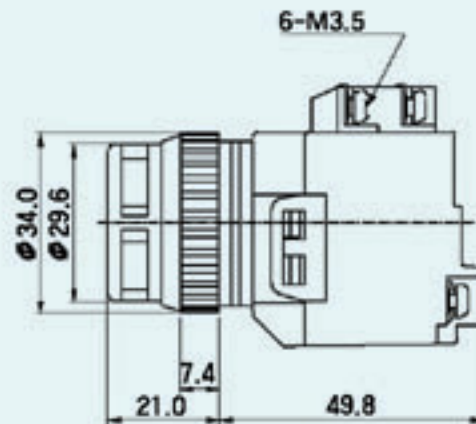
• 外形/值數圖 - Shape/Dimension Drawing

(unit : mm)

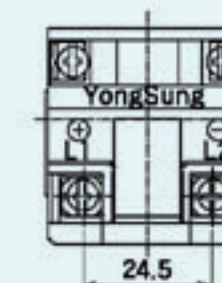
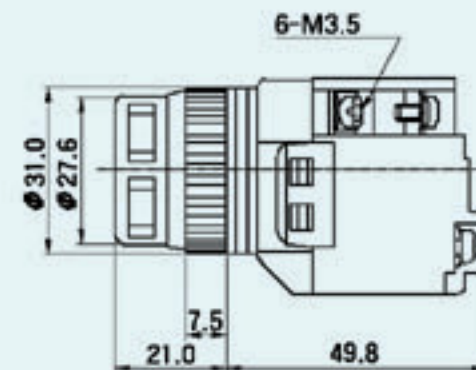
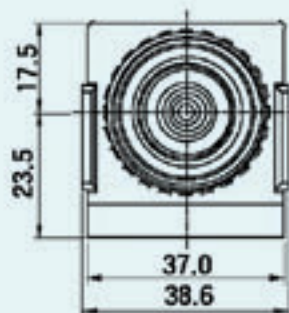
Ø25(NPBL Type)



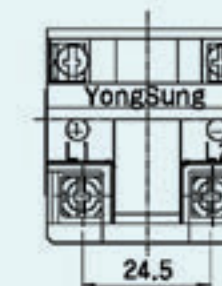
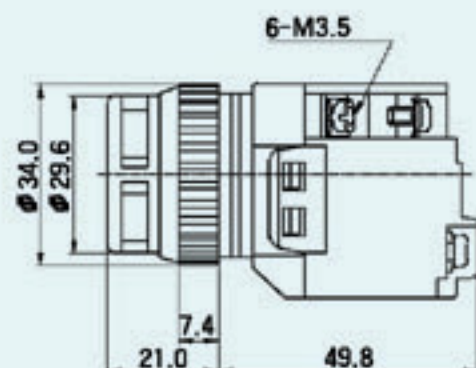
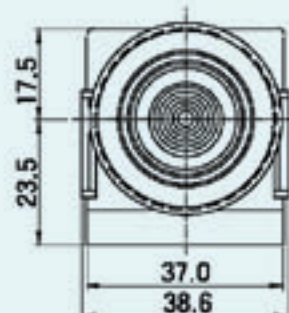
Ø30(NPBL Type)



Ø25(PBL Type)

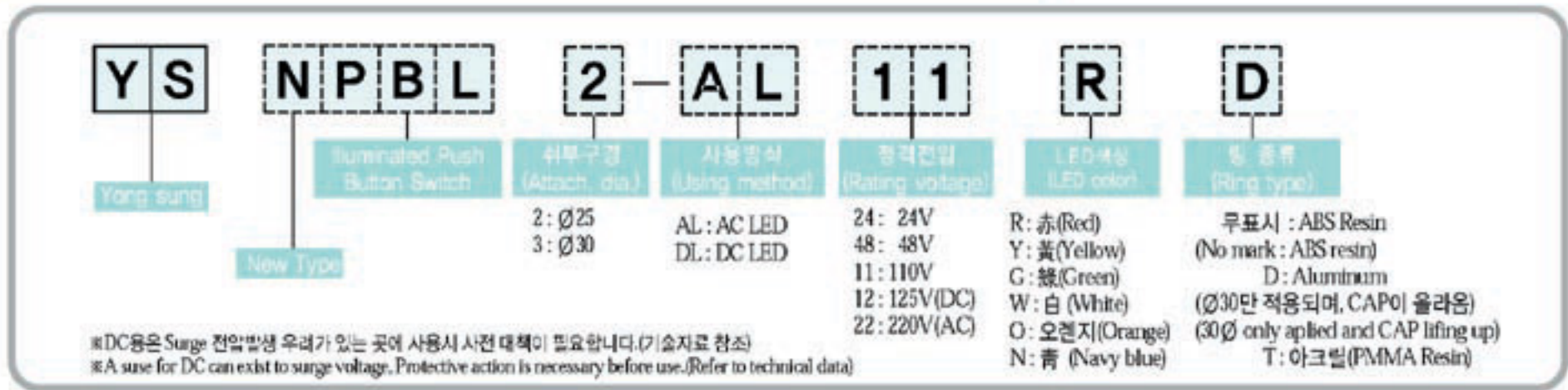


Ø30(PBL Type)



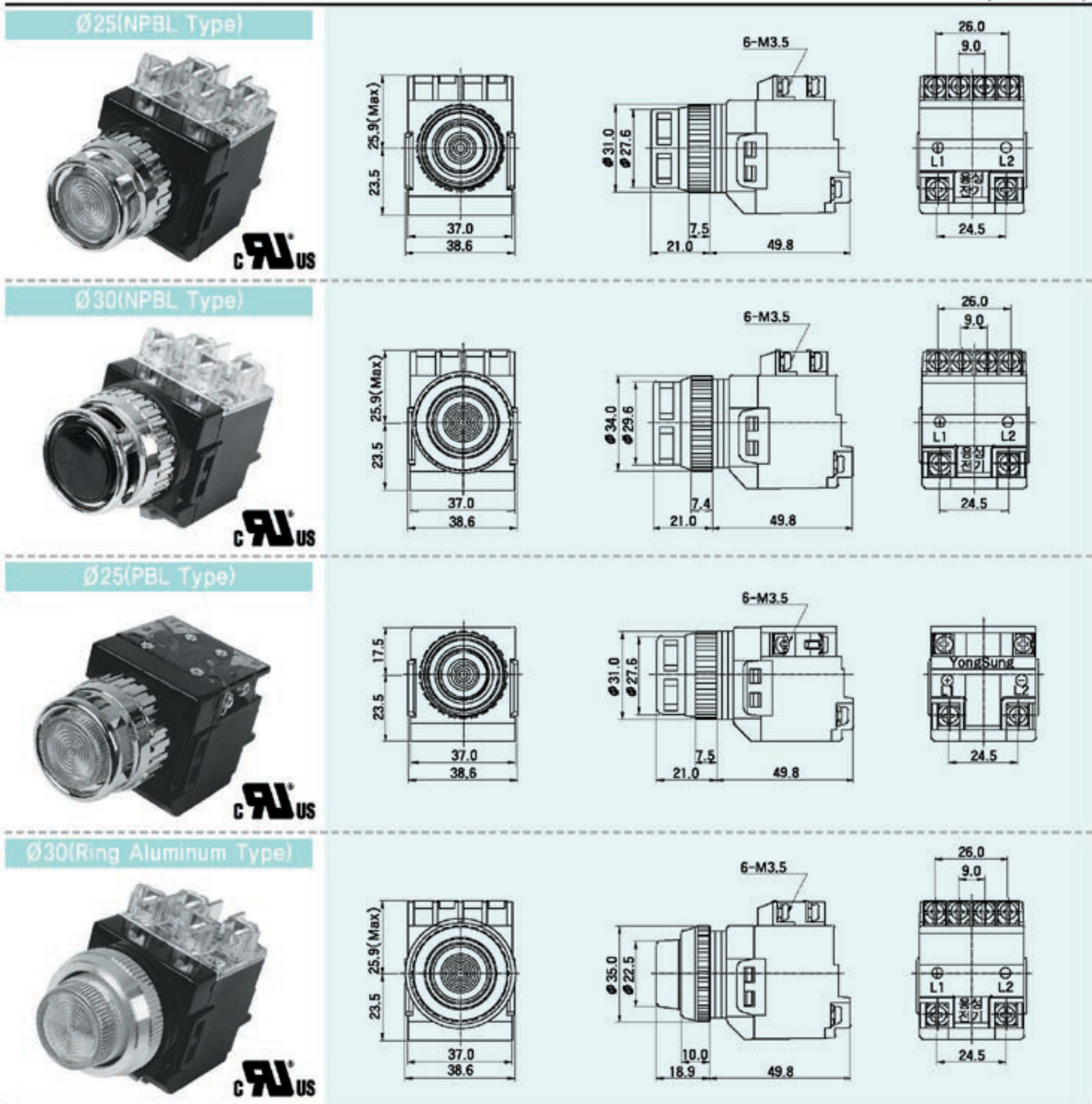
표시 등

• 形式 區分圖 - Type classification diagram ... LED Type



• 外形/值數圖 - Shape/Dimension Drawing

(unit : mm)

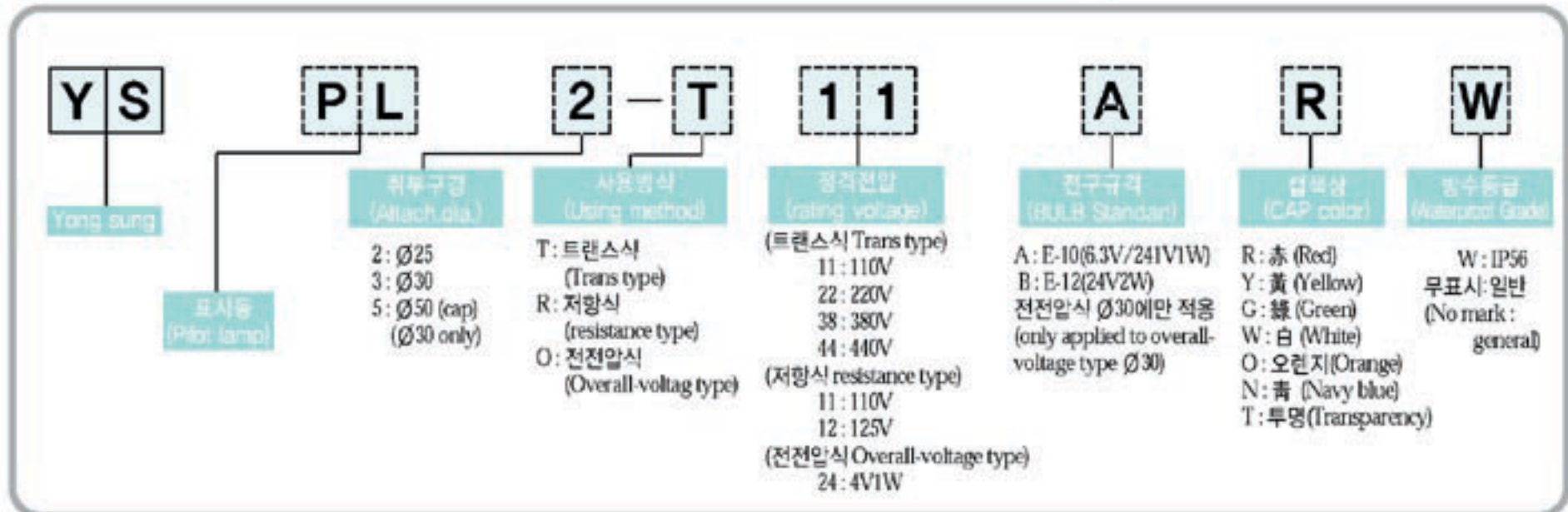


## 6-2 원형 표시등 Pilot Lamp



- ▶ 한국전기연구원개발시험합격 : DE6372, 6371  
(Certified by KERI's R&D Test)
- ▶ IP : 56 주문생산 (ordered production)  
EX 99 IP 536  
SEK 80125-E001

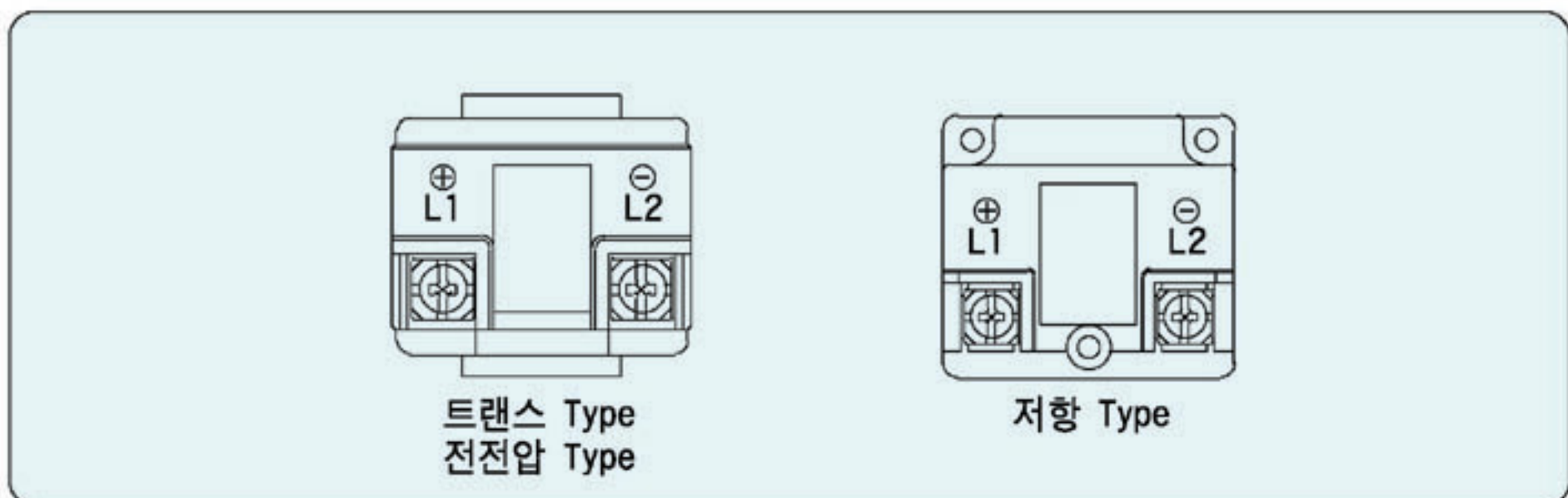
### • 形式 區分圖 - Type classification diagram ... BULB Type



### • 部品 材質 - Part materials

부 품 (Part)	材 質 (Materials)	
	트랜스식 (trans-type)	저항식 (resistance-type)
몸 체 (Body)	ABS내열 (Heat resistance ABS) Resin	ABS난연 (Flame retardant ABS) Resin
홀 다 (Holder)	ABS내열 (Heat resistance ABS) Resin	ABS난연 (Flame retardant ABS) Resin
端 子 (Terminal)	黃 銅 (Brass)	
볼 트 (Bolt)	MSWR-3 (Zn plating)	
캡 (CAP)	AS Resin	
링 (Ring)	ABS Resin	

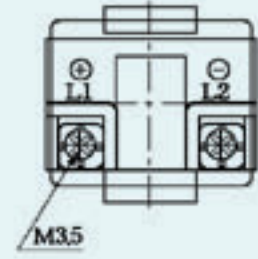
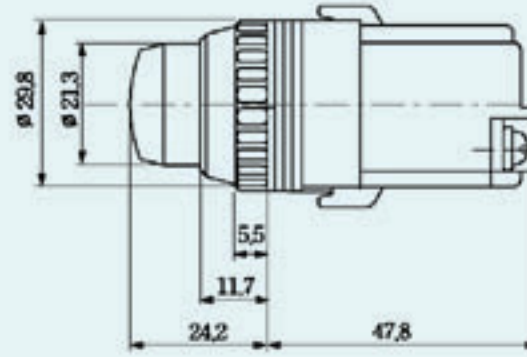
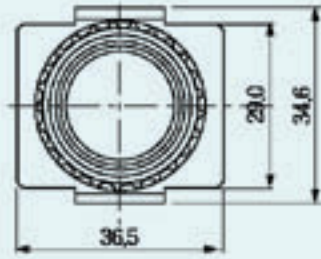
### • 端子 極性 - Terminal Polarity



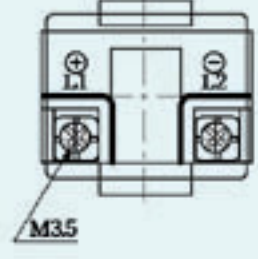
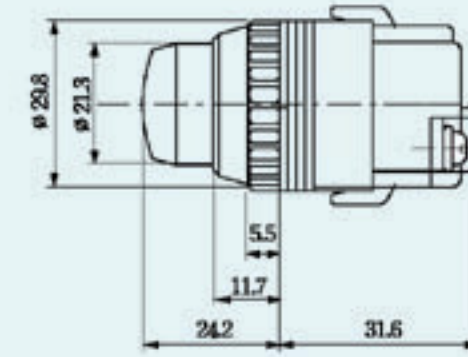
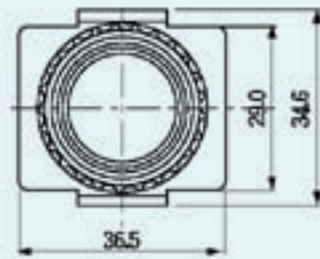
• 外形/值數圖 - Shape/Dimension Drawing

(unit : mm)

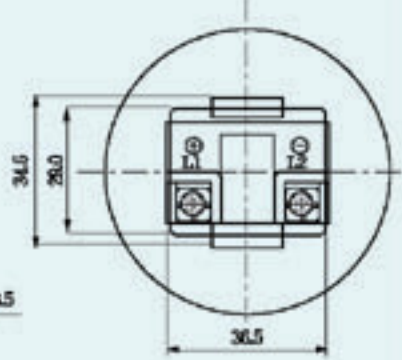
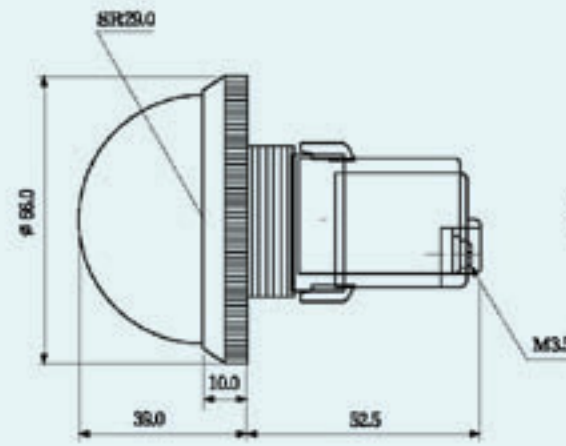
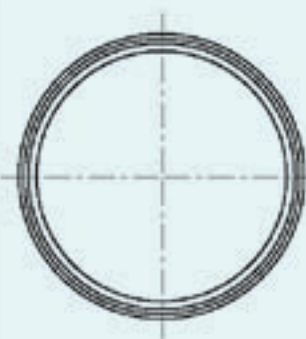
Ø25(트랜스식)



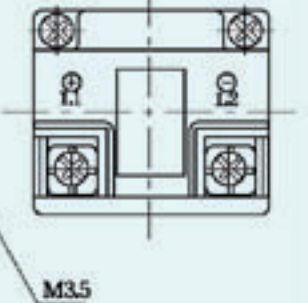
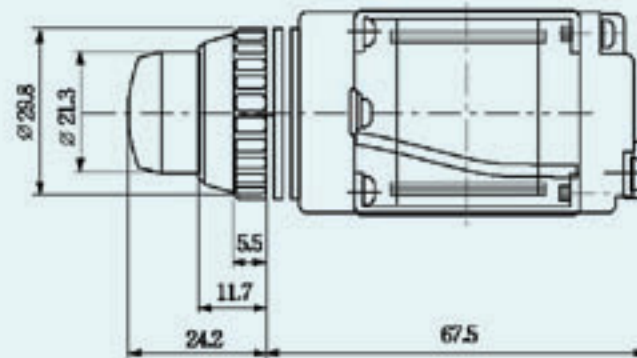
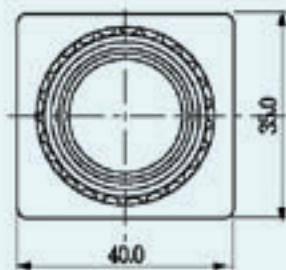
Ø25(전전압식)



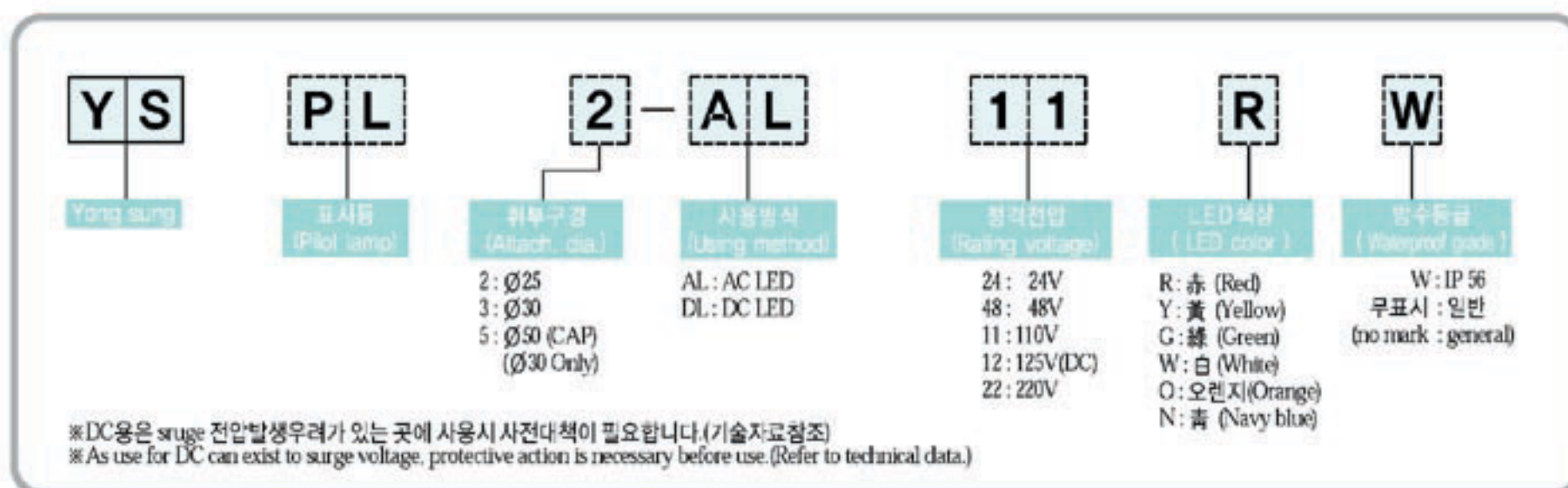
Ø50(CAP)



Ø25(저항식)



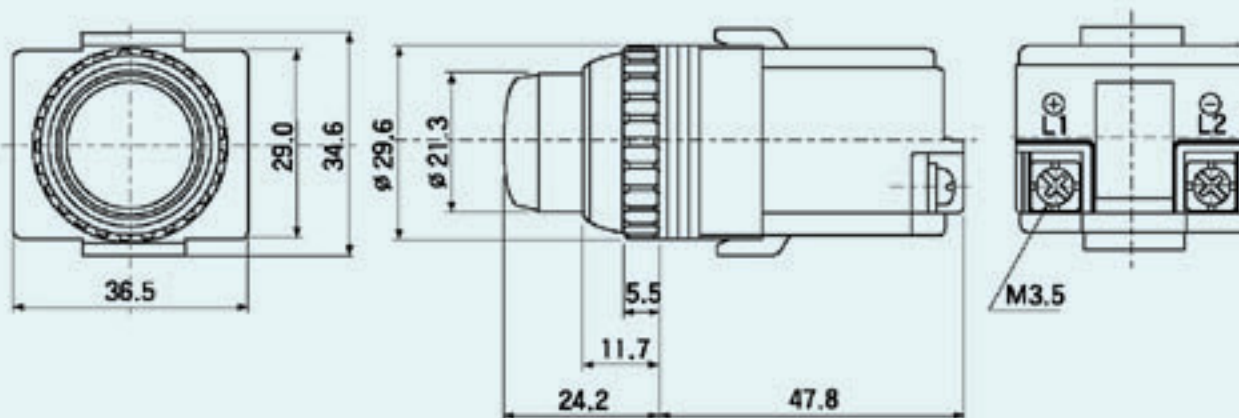
• 形式 區分圖 - Type classification diagram ... LED Type



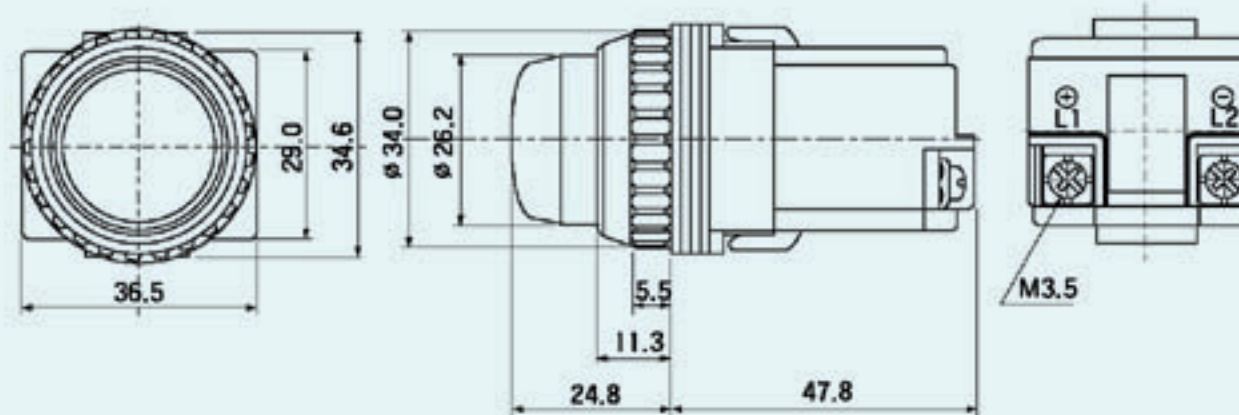
• 外形/值數圖 - Shape/Dimension Drawing

(unit : mm)

Ø25



Ø30

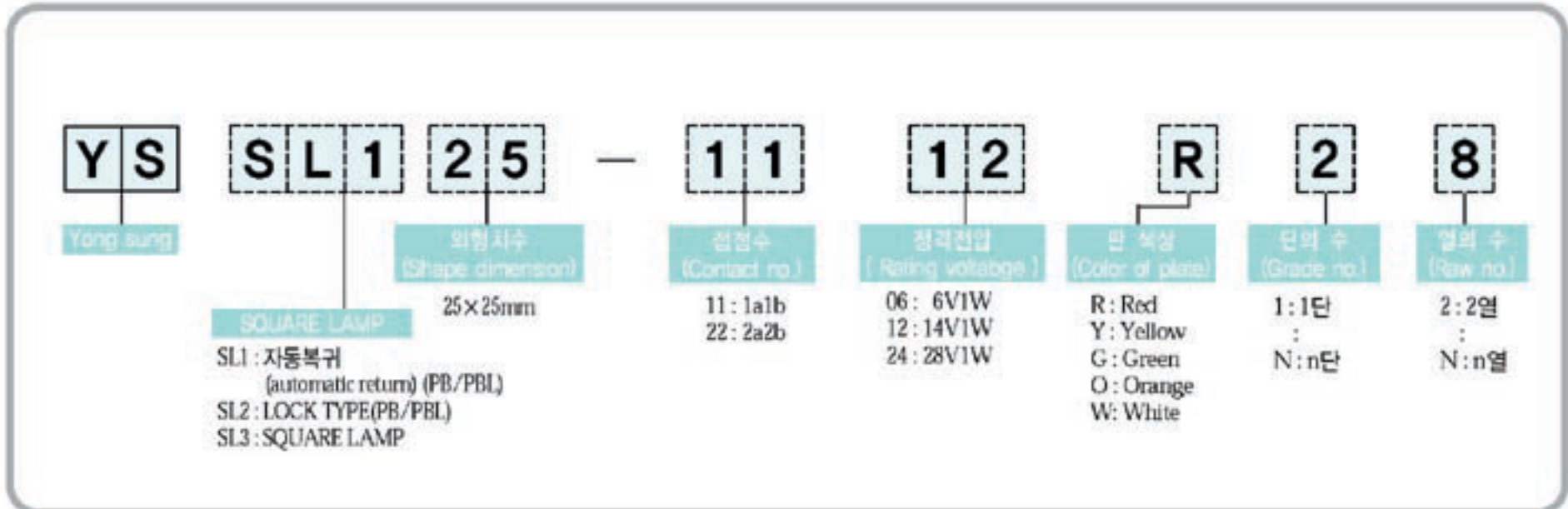


표시등

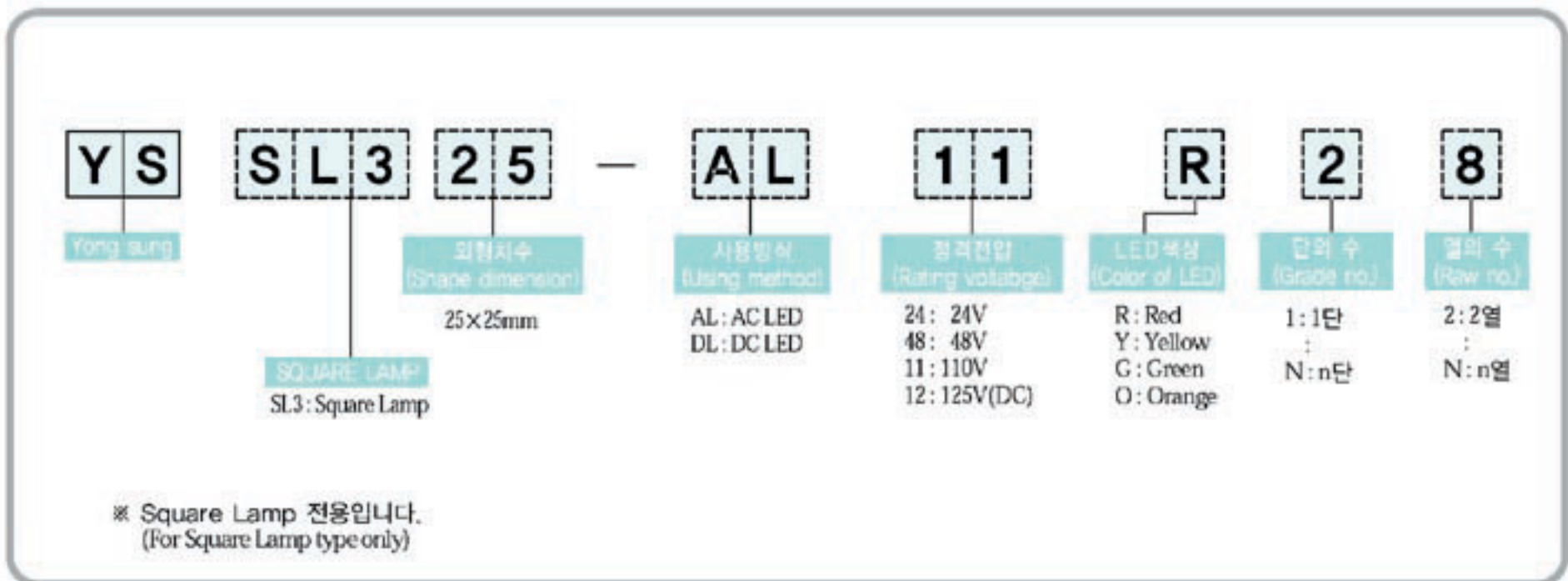


**6-3** 정사각 표시등 (SL-25)  
Square Lamp (SL-25)

• 形式 區分圖 - Type classification diagram ... BULB Type



• 形式 區分圖 - Type classification diagram ... LED Type



## 仕様 Specification

## ● 白熱球 Type - Bulb Type

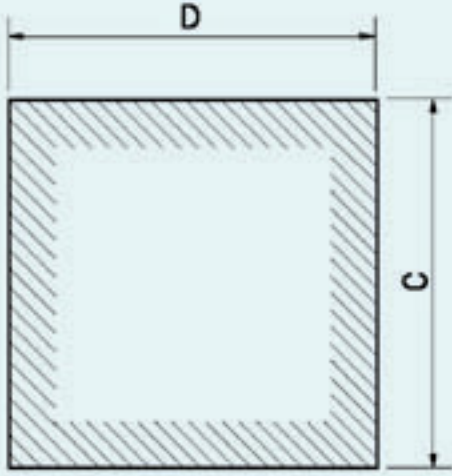
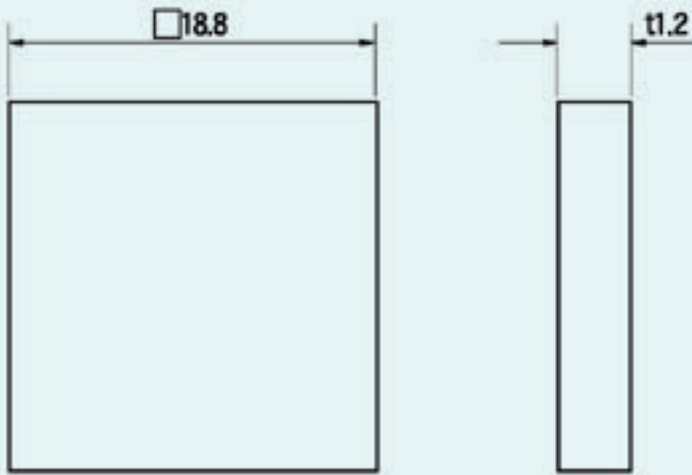
電源入力方式 (Power Source)	全電壓式 (Overall voltage Type)			
種別 (type)	全面照光 (overall illumination)			
定格電壓 (1次電壓) rating voltage (primary voltage)	AC 5V	AC 12V	AC 24V	
内装電球 (built-in lightbulb)	定格電壓 (rating voltage)	6V1W	14V1W	28V1W
	使用電壓 (using voltage)	5~6V	10~12V	18~24V
	BASE	S5.7S		
絶縁抵抗 (Insulation resistance)	above 100MΩ			
耐電壓 (Withstand voltage)	1,500V/min			
使用周囲温度 (Ambient temperature)	-25℃ ~ +40℃			
相對濕度 (Relative humidity)	45 ~ 85%			
접점정격(Contact Rating)	AC250V 3A			

## ● LED Type

種別 (type)	單色全面照光 (single color overall illuminating)			
定格電壓 (1次電壓) rating voltage (primary voltage)	AC/DC24V	AC/DC48V	AC/DC110V	DC125V
内装 LED (built-in LED)	定格電壓 (rating voltage)	DC24V		
	定格電流 (rating current)	below 20mA		
	發光色 (illuminating color)	Red, Green, Yellow, Orange		
絶縁抵抗 (Insulation resistance)	above 100MΩ (DC 500V, Meg)			
耐電壓 (Withstand voltage)	1,500V/min			
使用周囲温度 (Ambient temperature)	-25℃ ~ +40℃			
相對濕度 (Relative humidity)	45 ~ 85%			

● 外形 值數圖 및 PANEL 取付值數圖 - Shape/panel dimension drawing

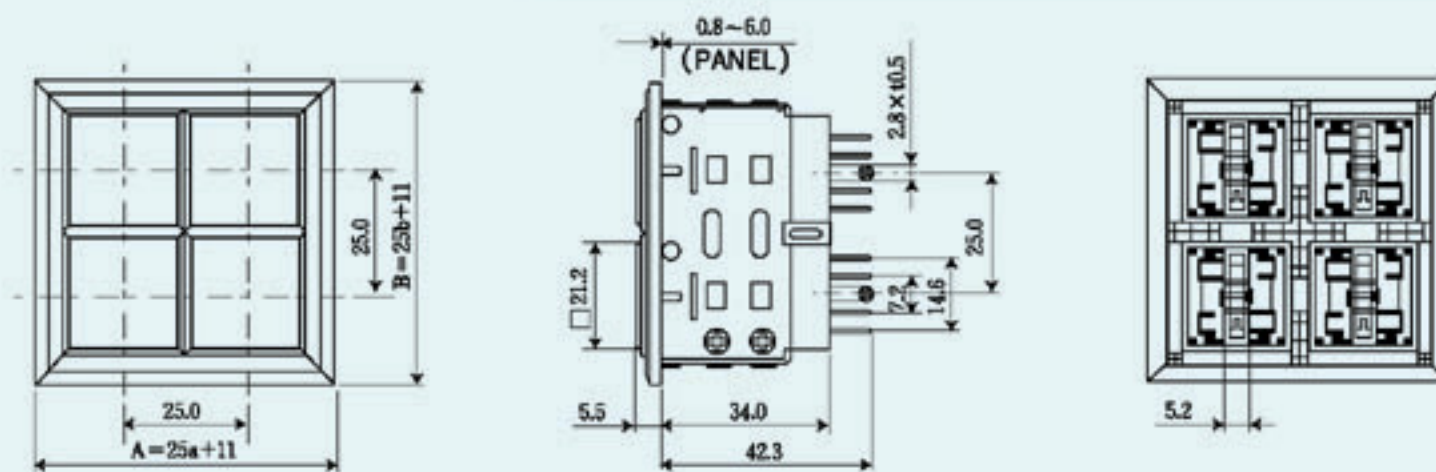
(unit : mm)

列의 數(raw number)		b	01	02	03	04	05	06	07	08	09	10
段의 數 (grade number)	外形值數(shape dimension)	B	36	61	86	111	136	161	186	211	236	261
	PANEL 加工值數 (panel dimension)	(D)	$29^{0}_{-0.5}$	$54^{0}_{-0.5}$	$79^{0}_{-0.5}$	$104^{0}_{-0.5}$	$129^{0}_{-0.5}$	$154^{0}_{-0.5}$	$179^{0}_{-0.5}$	$204^{0}_{-0.5}$	$229^{0}_{-0.5}$	$254^{0}_{-0.5}$
a	A	(C)	<p>● PANEL  부착值數 (panel attachment dimension) : 列(row), 段(grade) : <math>25n+4</math> (n : number)</p>  <p>● 조각면 SIZE (size of marking plate)</p> 									
01	36	$29^{0}_{-0.5}$										
02	61	$54^{0}_{-0.5}$										
03	86	$79^{0}_{-0.5}$										
04	111	$104^{0}_{-0.5}$										
05	136	$129^{0}_{-0.5}$										
06	161	$154^{0}_{-0.5}$										
07	186	$179^{0}_{-0.5}$										
08	211	$204^{0}_{-0.5}$										
09	236	$229^{0}_{-0.5}$										
10	261	$254^{0}_{-0.5}$										

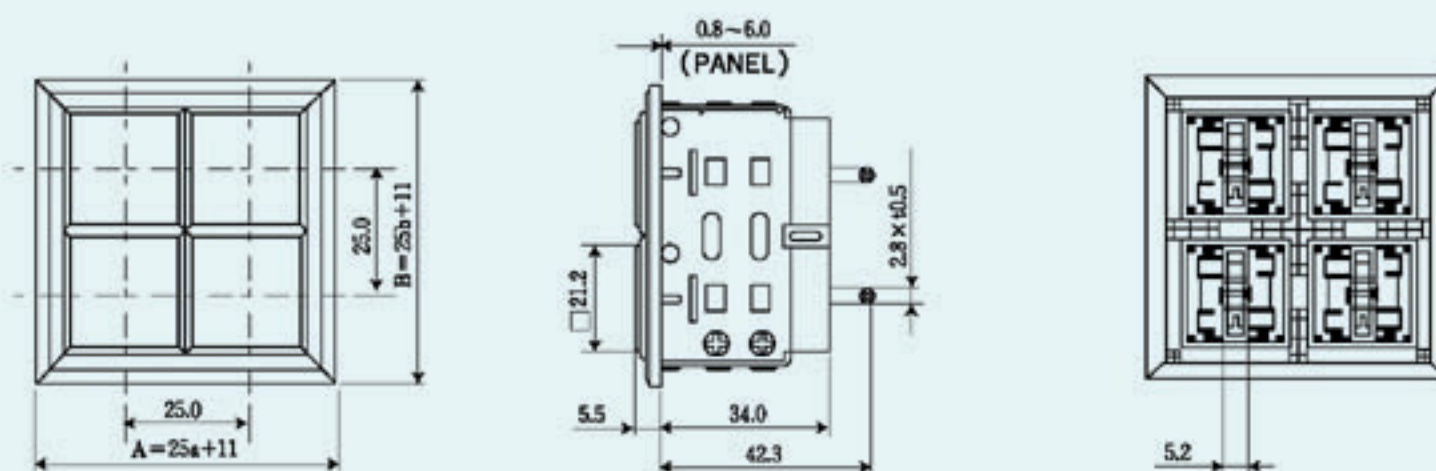
• 外形/值數圖 - Shape/Dimension Drawing

(unit : mm)

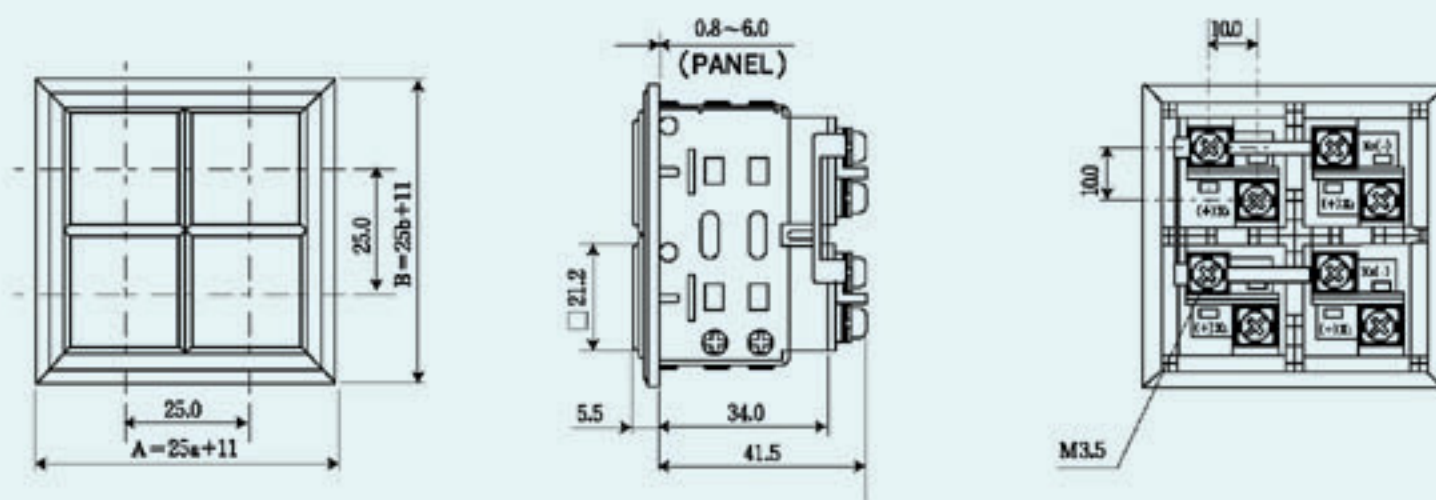
YS SL125-1124R22(누름버튼)



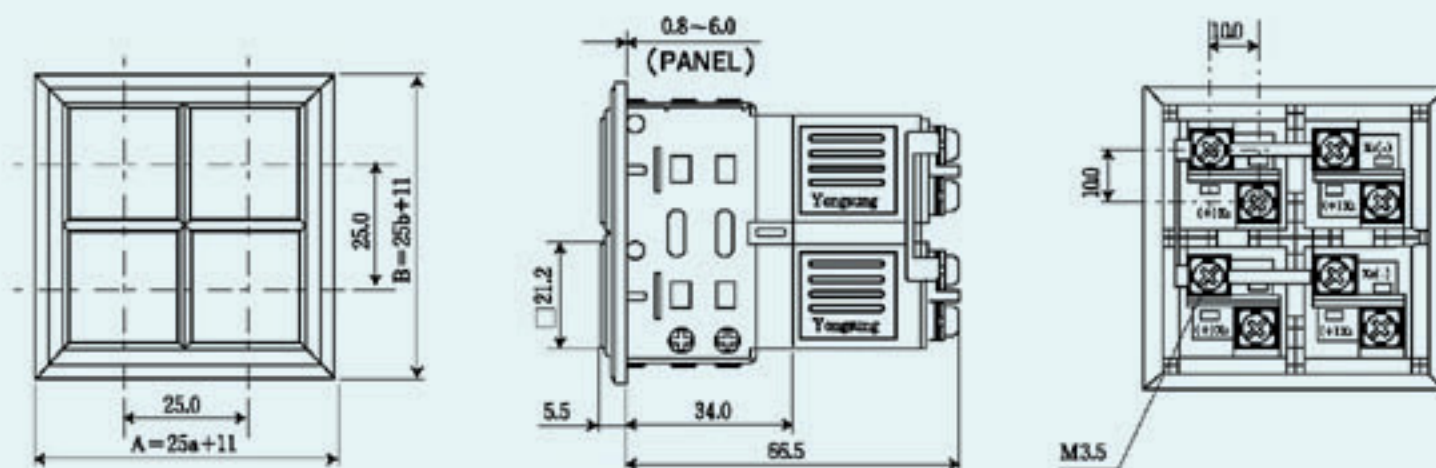
YS SL325-24R22(전전압 BULB 표시등)



YS SL325-DL24R22(전전압 LED 표시등)



YS SL325-DL11R22(저항식 LED 표시등)



Square Lamp(SL-33)(BSL-33)

New Bulletin Rectangle Lamp (NRL-34)(BRL-34)

### ● 特徴 - Features

- 정사각형과 직사각형으로 구분되어 있어 용도에 따라 사용하기에 편리하게 되어있습니다.
- 특히 LED 램프는 전력소모도 크게 절감되고 조도도 보다 밝고 고휘도 LED를 적용하였습니다.
- DC LED Type은 CHECK 단자를 적용하여 전면부의 점등유무를 확인할 수 있습니다.
- Since divided into square and rectangle type, it is convenient to use according to application purposes.
- Especially, LED lamp is made up of LED which has high brightness and largely reduced consumption of electric power.
- DC LED Type can be verified whether front part light-up or not by applying CHECK terminal.

### ● 取付時(使用時)의 注意事項 - Attachment(using) Note

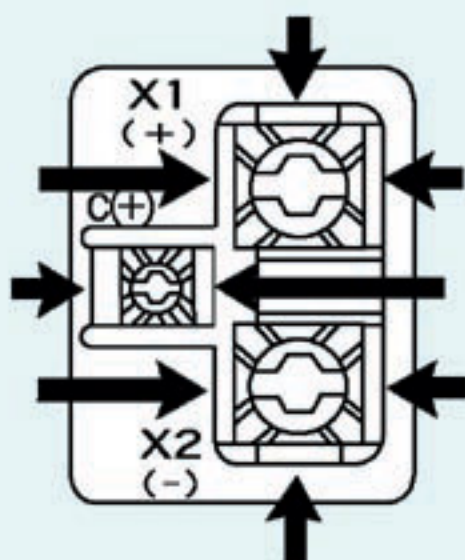
- 窓數가 10窓 以上에 있어서 連續點燈數가 窓數의 40% 以上일 境遇는 電球發熱量을 考慮, 窓數의 制限에 留意하여야 합니다.
- 트랜스식, 抵抗式의 경우 發熱量등에 있어 100% 點燈時는 10窓口 以下로 使用하여 주십시오.
- 面板 取付時 集合表示燈 製品本體의 重量, 配線의 電線重量 등을 考慮하여 面板 厚께를 選定하여 주십시오.
- 抵抗式은 發熱을 考慮, 쿨링 裝置를 하여 주십시오.
- 全點燈試驗은 40分 以下로 하여 주십시오.
- 몸체로부터 LED Unit를 分離할 때 必히 電原을 끄고 分離하여 주십시오.
- If successive illuminating number is above 40 % display number in above 10 displays, care for limiting the number of display considering lightbulb generating amount.
- When illuminating 100%, in heat generating amount etc. of trans & resistance type use below 10 displays.
- In panel attachment, choose panel thickness considering weight of multi pilot lamps, product body, and electric wire of wiring.
- Apply cooling device considering heating in resistance type.
- Do over all illuminating test within below 40min.
- When separating LED Unit from body, be sure to turn off power source.

### ● LED Unit의 定格電壓狀의 注意事項 - Rating voltage note of LED Unit

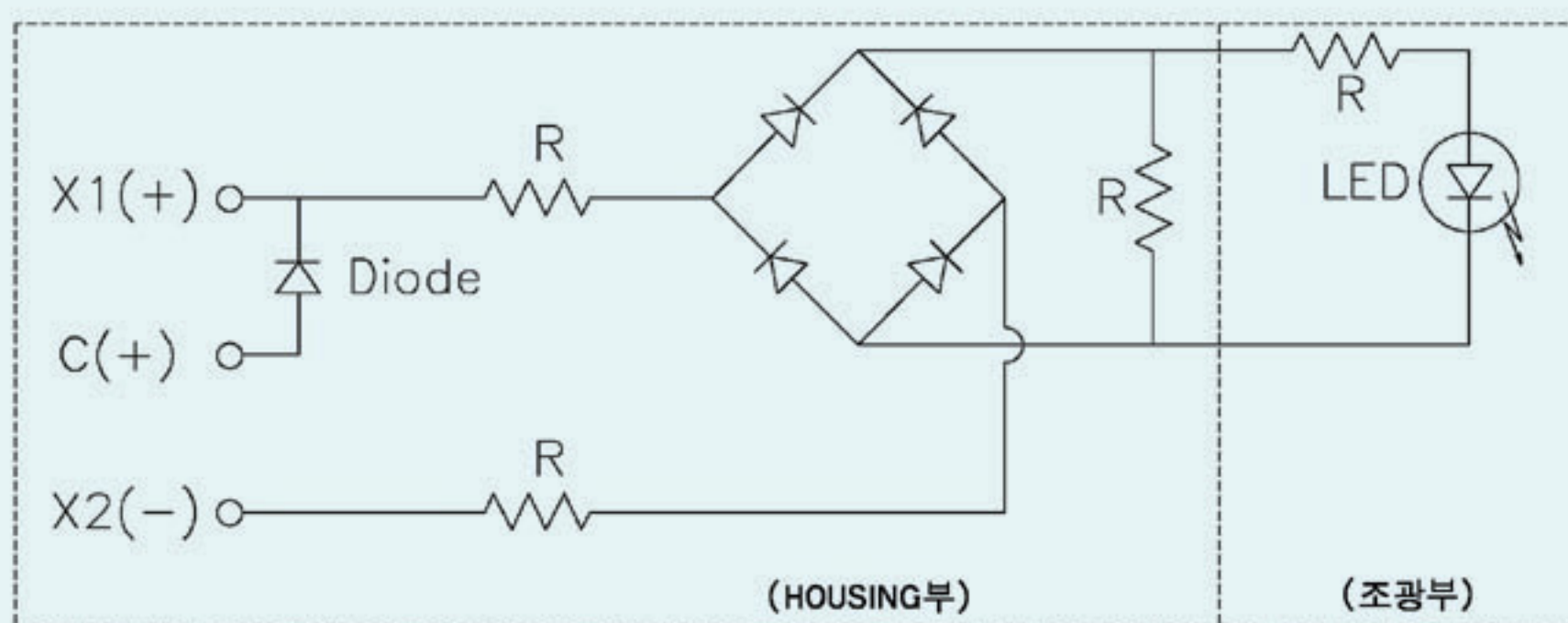
- LED Unit DC 定格電壓은 完全直流置를 表示한 것입니다.  
使用電壓範圍 : DC24V±10%
- LED Unit DC rating voltage indicates perfect DC value.  
Applying voltage range : DC 24V ±10%

### CHECK 단자부의 단자배선 - Terminal wiring of CHECK terminal part

- 端子 C(CHECK 端子) 및, 端子 X1(+), 端子 X2(COMMON 端子)의 極性으로 되어 있는 것에 注意하여 주십시오.
- It is consist of terminal C(check terminal) and terminal X1(+), terminla X2(common terminal)⊖ Polarity.

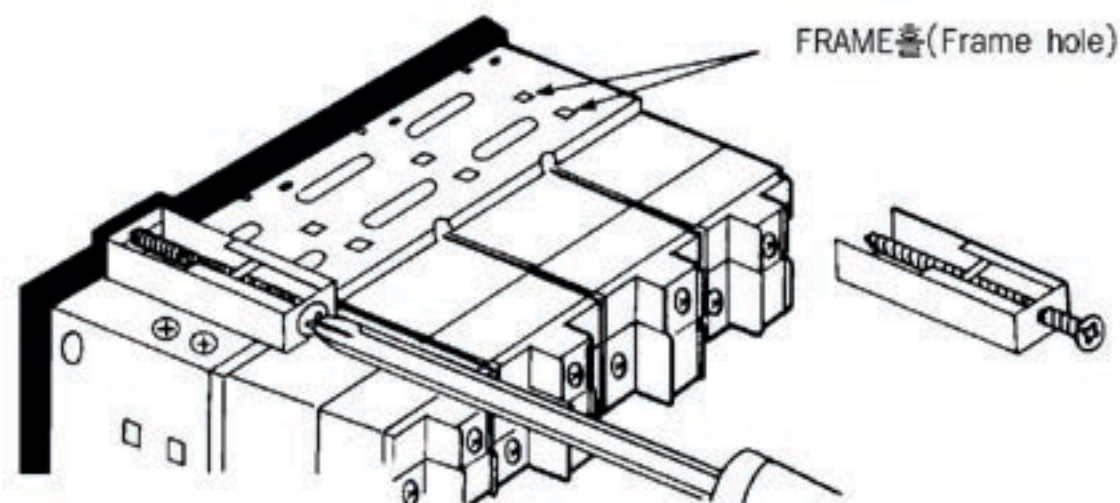


※화살표는 端子配線 方向을 表示하는 것입니다.  
(Arrow is terminal wiring direction.)



• PANEL의 取付方法 - Attachment method of PANEL

- 集會의 境遇 판넬에 取付時는 本體를 판넬 前面에 挿入後 兩面에 있는 部屬의 取付金具를 FRAME 홀에 아래의 그림처럼 집어넣고 나사를 조여주십시오.  
또한 取付金具의 部屬數는 窓數에 따라 다음과 같이 사용하시면 좋습니다.
- When attaching multi illuminating display into panel, insert body into the front panel, then push accessory jointing part into The FRAME hole as following figure and tighten screws.  
The number of jointing part is as following according to the number of display.



• 取付 金具數 - the number of jointing part

(unit:ea)

列(row) / 段(grade)	1 - 2	3 - 8	9 - 15	16 - 20
1 - 2	2	4	6	8
3 - 6	4	6	8	10
7 - 10	6	8	10	12

• 取付의 例 - Example of attachment

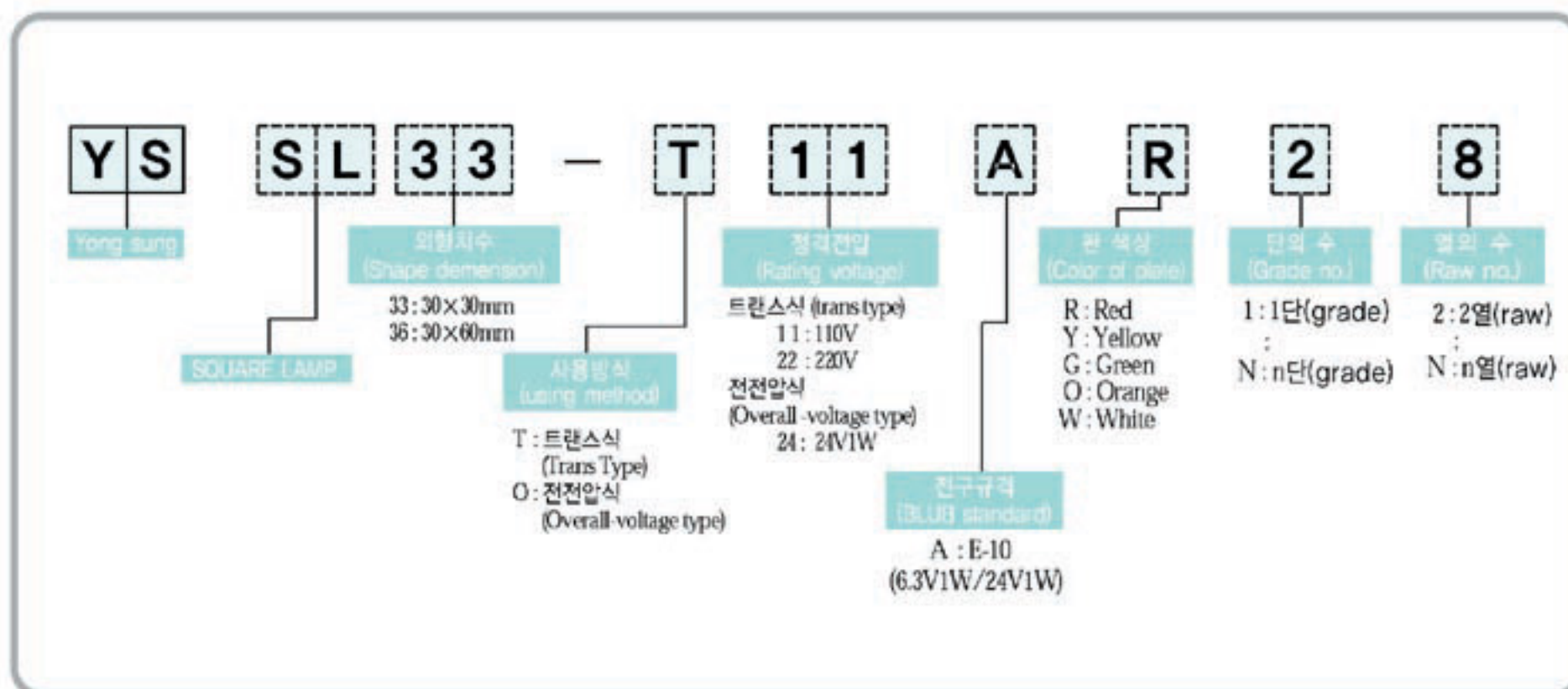
(■는 取付金具임)  
(■is jointing part.)

列(row) / 段(grade)	1 - 2	3 - 8	9 - 15	16 - 20
1 - 2				
3 - 6				
7 - 10				

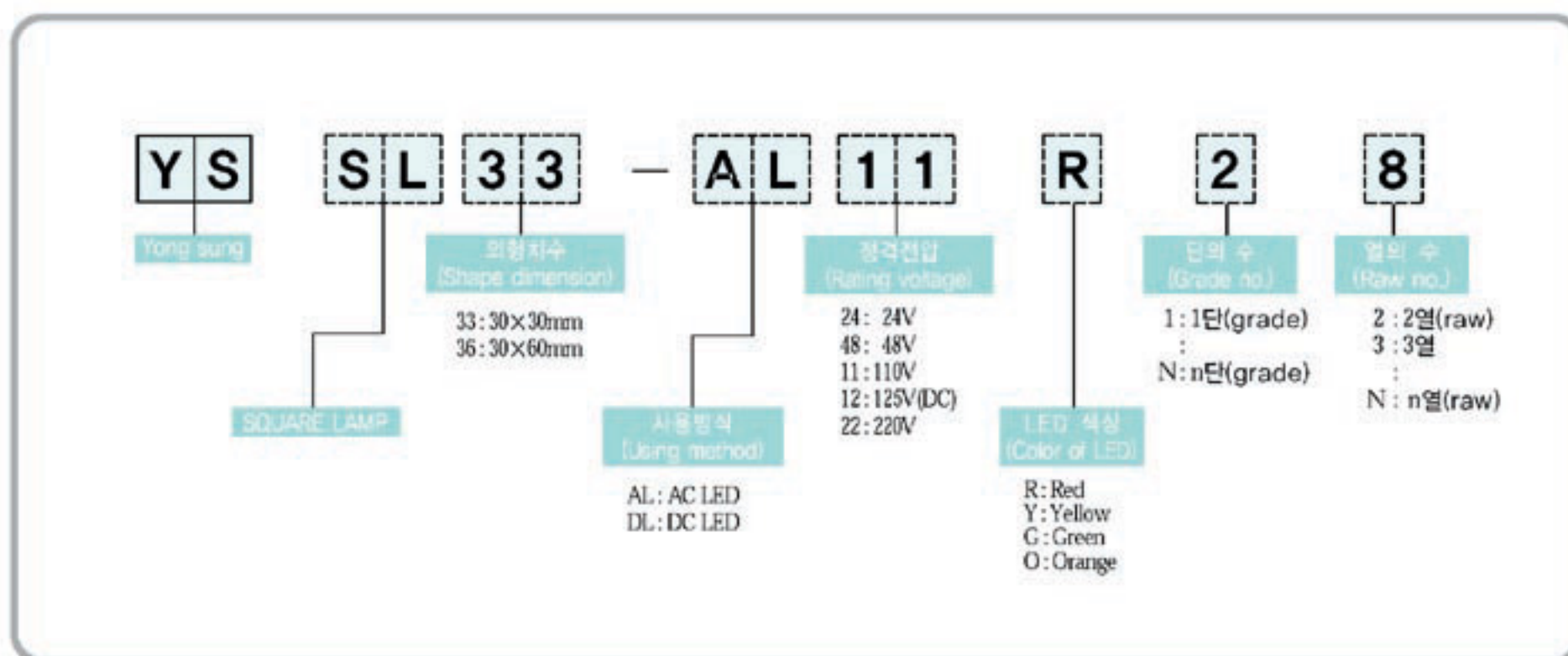


6-4 정사각 표시등 (SL-33)  
Square Lamp (SL-33)

• 形式 區分圖 - Type classification diagram ... BULB Type



• 形式 區分圖 - Type classification diagram ... LED Type





● 外形 值數圖 및 PANEL 取付值數圖 - Shape/panel dimension drawing

(unit : mm)

段的數 (grade number)	列의 數(raw number)		b	01	02	03	04	05	06	07	08	09	10
	外形值數(shape dimension)	PANEL 加工值數 (panel dimension)	B	42	72	102	132	162	192	222	252	282	312
			(D)	$35^{0/-0.5}$	$65^{0/-0.5}$	$95^{0/-0.5}$	$125^{0/-0.5}$	$155^{0/-0.5}$	$185^{0/-0.5}$	$215^{0/-0.5}$	$245^{0/-0.5}$	$275^{0/-0.5}$	$305^{0/-0.5}$
a	A	(C)	<p>● PANEL  부착值數 (panel attachment dimension) : ● 조각면 SIZE (size of marking plate)</p> <p>列(row) : <math>30n+5</math> (n : number)                      段(grade) : <math>30n+5</math></p>										
01	42	$35^{0/-0.5}$											
02	72	$65^{0/-0.5}$	<p>● 外形/值數圖 (shape/dimension drawing) 트랜스식 (Trans Type)</p>										
03	102	$95^{0/-0.5}$											
04	132	$125^{0/-0.5}$											
05	162	$155^{0/-0.5}$											
06	192	$185^{0/-0.5}$	<p>전전압식 (Overall-voltage Type)</p>										
07	222	$215^{0/-0.5}$											
08	252	$245^{0/-0.5}$											
09	282	$275^{0/-0.5}$	<p>DL22 Type</p>										
10	312	$305^{0/-0.5}$											

## 仕 様 Specification

## ● 白熱球 Type - Lightbulb Type

電源入力方式 (power source)	全電壓式 (overall voltage type)	트랜스식 (trans type)
種 別 (type)	全面照光 (overall illuminating)	全面照光 (overall illuminating)
定格電壓 (1次電壓) rating voltage (primary voltage)	AC/DC 24V	AC 110V, 220V
内装電球 (built-in lightbulb)	定格電壓 (rating voltage)	24V1W
	2次電壓 (secondary voltage)	24V
	BASE	E-10 (BASE Type)
絶縁抵抗 (Insulation resistance)	above 100MΩ	
耐電壓 (Withstand voltage)	AC2,000V/min	AC2,500V/min
使用周圍溫度 (Ambient temperature)	-25°C ~ + 40°C	
相對濕度 (Relative humidity)	45 ~ 85%	

## ● LED Type

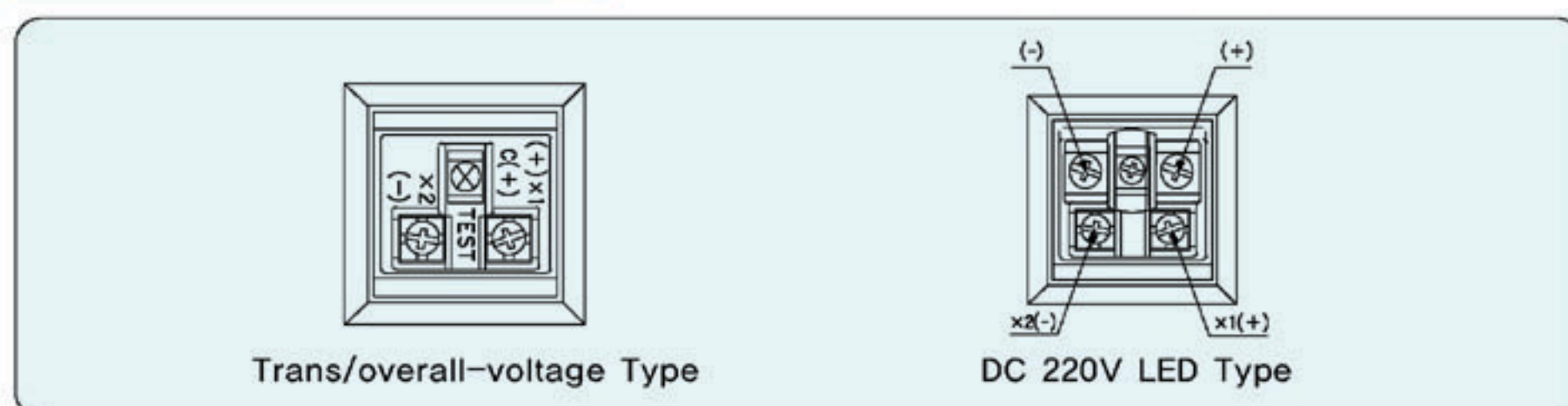
種 別 (type)	單色全面照光 (CHECK端子挿入) (single color overall illuminating<inserting CHECK terminal>)				
定格電壓 (1次電壓) rating voltage(primary voltage)	AC/DC24V	AC110V	DC110V	DC125V	AC/DC220V
内装 LED	定格電壓 (rating voltage)	DC24V			
	定格電流 (rating current)	below 20mA			
	發光色 (illuminating color)	Red, Green, Yellow, Orange			
絶縁抵抗 (Insulation resistance)	above 100MΩ (DC 500V, Meg)				
耐電壓 (Withstand voltage)	AC2,000V/min				
使用周圍溫度 (Ambient temperature)	-25°C ~ +40°C				
相對濕度 (Relative humidity)	45 ~ 85%				

※AC110V, 220V용은 Check 단자가 없습니다.(Check terminal is not apply for AC110V, 220V.)

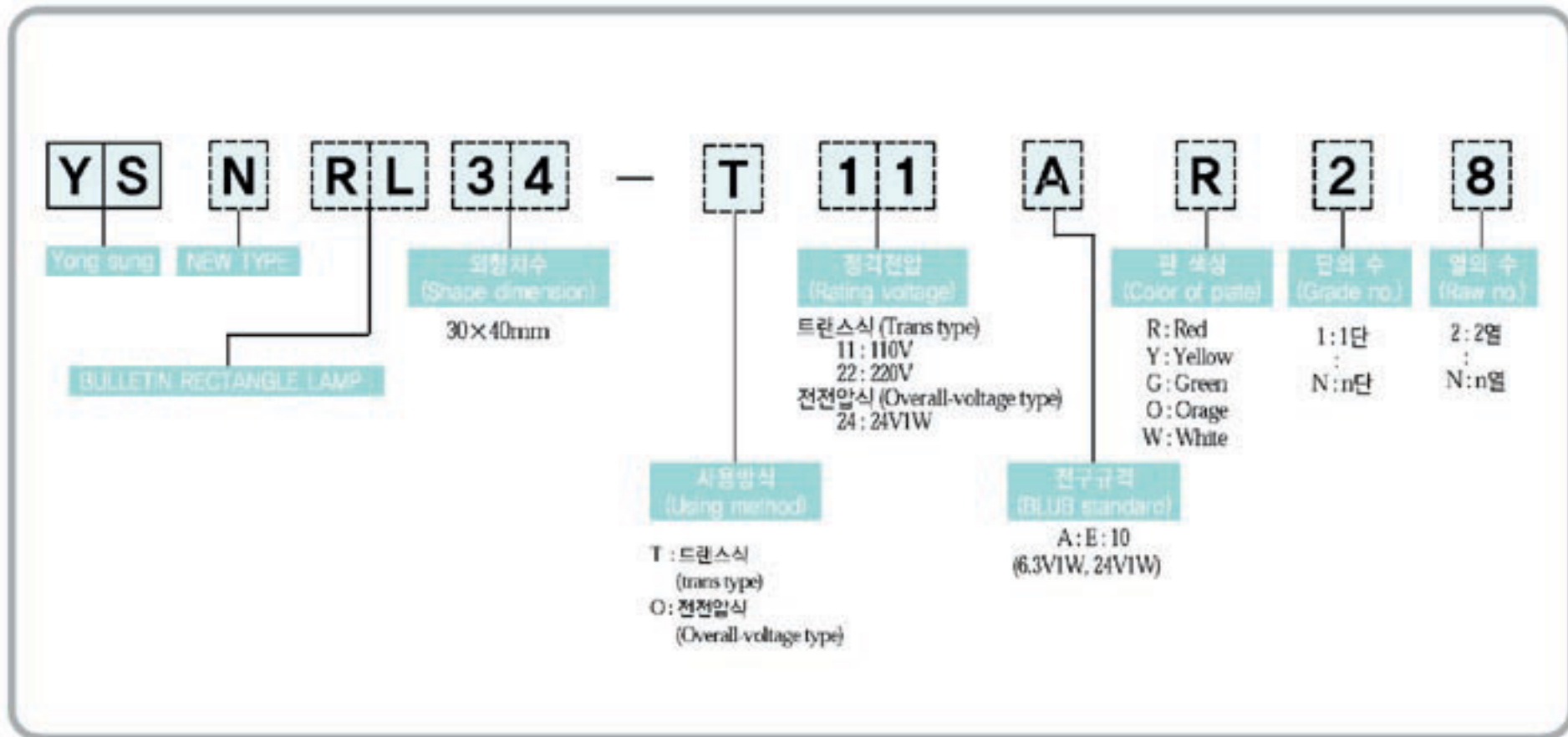
※DC Check 단자 사용시는 X1 단자에 부가회로를 사용할 수 없습니다.(램프 체크시 역전압 발생)

(Additional circuit can not be used at X1 terminal when using DC terminal.) (Reverse voltage occurrence when lamp check.)

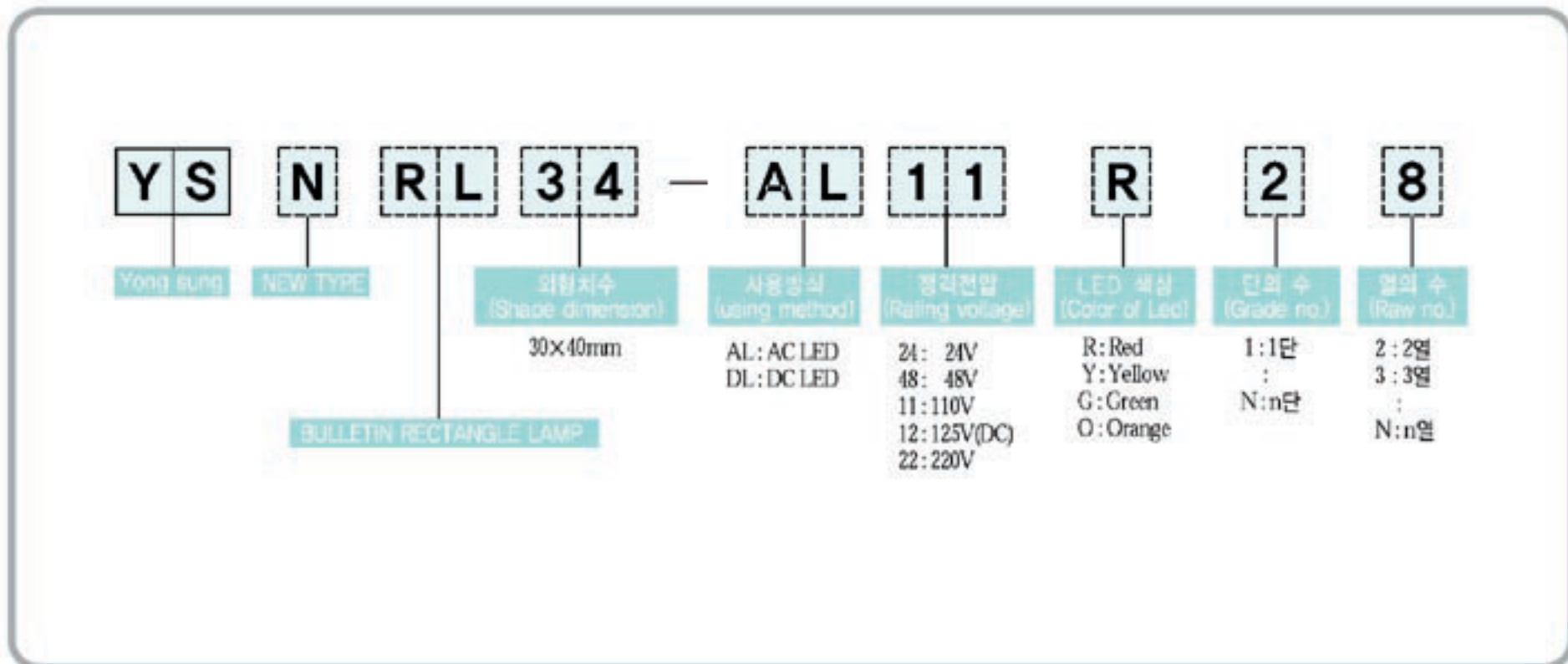
## ● 端子 極性 - Terminal Polarity



• 形式 區分圖 - Type classification diagram ... BULB Type



• 形式 區分圖 - Type classification diagram ... LED Type



● 外形 值數圖 및 PANEL 取付值數圖 - Shape/panel dimension drawing

(unit : mm)

列의 數(row number)		b	01	02	03	04	05	06	07	08	09	10
段의 數 (grade number)	外形值數(shape dimension)	B	52	92	132	172	212	252	292	332	372	412
	PANEL 加工值數 (panel dimension)	(D)	45 <sup>0</sup> <sub>-0.5</sub>	85 <sup>0</sup> <sub>-0.5</sub>	125 <sup>0</sup> <sub>-0.5</sub>	165 <sup>0</sup> <sub>-0.5</sub>	205 <sup>0</sup> <sub>-0.5</sub>	245 <sup>0</sup> <sub>-0.5</sub>	285 <sup>0</sup> <sub>-0.5</sub>	325 <sup>0</sup> <sub>-0.5</sub>	365 <sup>0</sup> <sub>-0.5</sub>	405 <sup>0</sup> <sub>-0.5</sub>
a	A	(C)	● PANEL  부착值數 (panel attachment dimension) : ● 조각면 SIZE (size of marking plate) 列(row) : 40n+5 (n : number) 段(grade) : 30n+5 (n : number)									
01	42	35 <sup>0</sup> <sub>-0.5</sub>										
02	72	65 <sup>0</sup> <sub>-0.5</sub>	● 外形/值數圖 (shape/dimension drawing) 트랜스식 (Trans Type)									
03	102	95 <sup>0</sup> <sub>-0.5</sub>										
04	132	125 <sup>0</sup> <sub>-0.5</sub>	전전압식 (Overall-voltage Type)									
05	162	155 <sup>0</sup> <sub>-0.5</sub>										
06	192	185 <sup>0</sup> <sub>-0.5</sub>	DL22 Type									
07	222	215 <sup>0</sup> <sub>-0.5</sub>										
08	252	245 <sup>0</sup> <sub>-0.5</sub>										
09	282	275 <sup>0</sup> <sub>-0.5</sub>										
10	312	305 <sup>0</sup> <sub>-0.5</sub>										

● 白熱球 Type - Lightbulb Type

電源入力方式 (power source)	全電壓式 (overall voltage type)	트랜스식 (trans type)
種別 (type)	全面照光 (overall illuminating)	全面照光 (overall illuminating)
定格電壓 (1次電壓) rating voltage (primary voltage)	AC/DC 24V	AC 110V,220V
内装電球 (built-in lightbulb)	定格電壓 (rating voltage)	24V1W
	2次電壓 (secondary voltage)	24V
	BASE	E-10 (BASE Type)
絶縁抵抗 (Insulation resistance)	above 100MΩ	
耐電壓 (Withstand voltage)	AC2,000V/min	AC2,500V/min
使用周囲温度 (Ambient temperature)	-25℃ ~ +40℃	
相對濕度 (Relative humidity)	45 ~ 85%	

● LED -Type

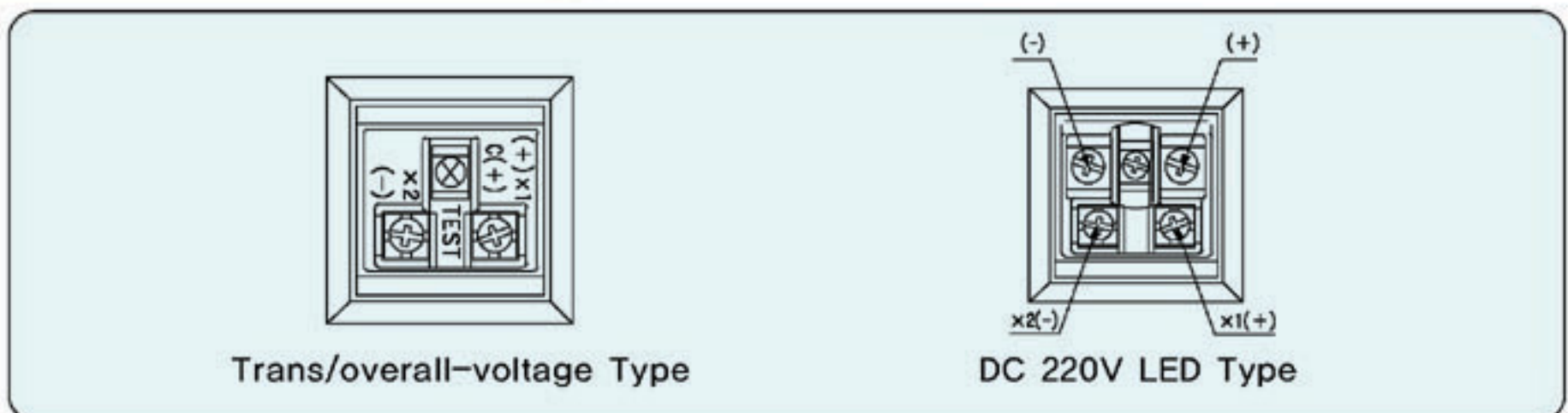
種別 (type)	單色全面照光 (CHECK端子挿入) (single color overall illuminating inserting CHECK terminal)				
定格電壓 (1次電壓) rating voltage (primary voltage)	AC/DC24V	AC110V	DC110V	DC125V	AC/DC220V
内装 LED	定格電壓 (rating voltage)	DC24V			
	定格電流 (rating current)	below 20mA			
	發光色 (illuminating color)	Red, Green, Yellow, Orange			
絶縁抵抗 (Insulation resistance)	above 100MΩ (DC 500V. Meg)				
耐電壓 (Withstand voltage)	AC2,000V/min				
使用周囲温度 (Ambient temperature)	-25℃ ~ +40℃				
相對濕度 (Relative humidity)	45 ~ 85%				

※AC110V, 220V용은 Check 단자가 없습니다. (Check terminal is not apply for AC110V, 220V.)

※DC Check 단자 사용시는 X1 단자에 부가회로를 사용할 수 없습니다.(램프 체크시 역전압 발생)

(Additional curcuit can not be used at X1 terminal when using DC terminal.) (Reverse voltage occurance when lamp check.)

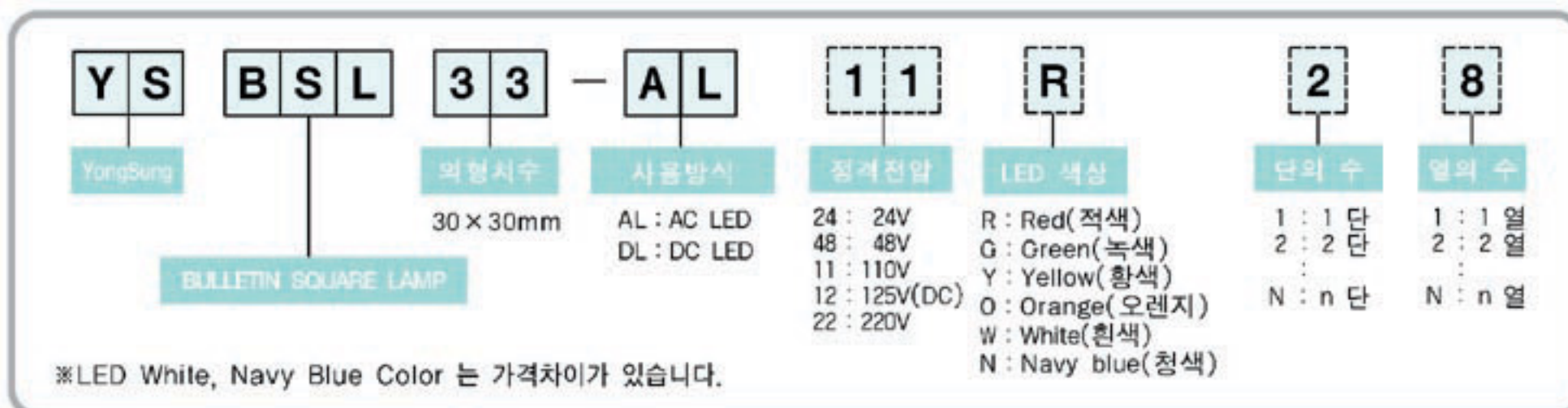
● 端子 極性 - Terminal Polarity



## 6-6 정사각표시등 (BSL-33) Bulletin Square Lamp (BSL-33)



### • 形式 區分圖 - BULLETIN SQUARE LAMP (정사각표시등)



### • 特徵 - Features

- 정사각형(BSL-33) 직사각형(BRL-34)로 구분되어 있어 용도에 따라 사용하기에 편리하게 되어있습니다.
- LED램프이므로 백열구에 비해 전력소비가 크게 절감이 됩니다.
- LED 램프는 조도를 밝고 선명하도록 고휘도 LED를 사용하여 에폭시몰딩 처리하였습니다.
- LED램프 교체시 극성방향없이 사용하도록 설계되었습니다.
- LED 램프 COLOR는 Red, Green, Yellow, Orange, Blue, White 6색상으로 구분되어 있으며 특히 Green LED는 PG Green LED를 사용하여 선명하고 밝습니다.
- DC LED TYPE은 Check 단자를 적용하여 전면부의 전체 점등유무를 확인할 수 있도록 되어 있습니다. (Check 단자는 점등유무확인 목적이외 다른 목적으로 사용할 수 없습니다)
- It is convenient to use according to service with classifying of square (BSL-33) and rectangle(BRL-34).
- Power consumption of LED lamp is cut down highly than glow lamp.
- LED lamp is treated epoxy molding with using high brightness to bright and clear the illumination.
- It is designed to use without the direction of polarity when change LED lamp.
- Led lamp is classified 6 colors with Red, Green, Yellow, Orange, Blue, and White. Especially Green LED with PG green LED is brightness and clear.
- DC LED type is able to confirm total lighting to apply the check terminal block. (Check terminal block can not use by other purpose except lighting confirmation.)

### • 仕様 - Specification

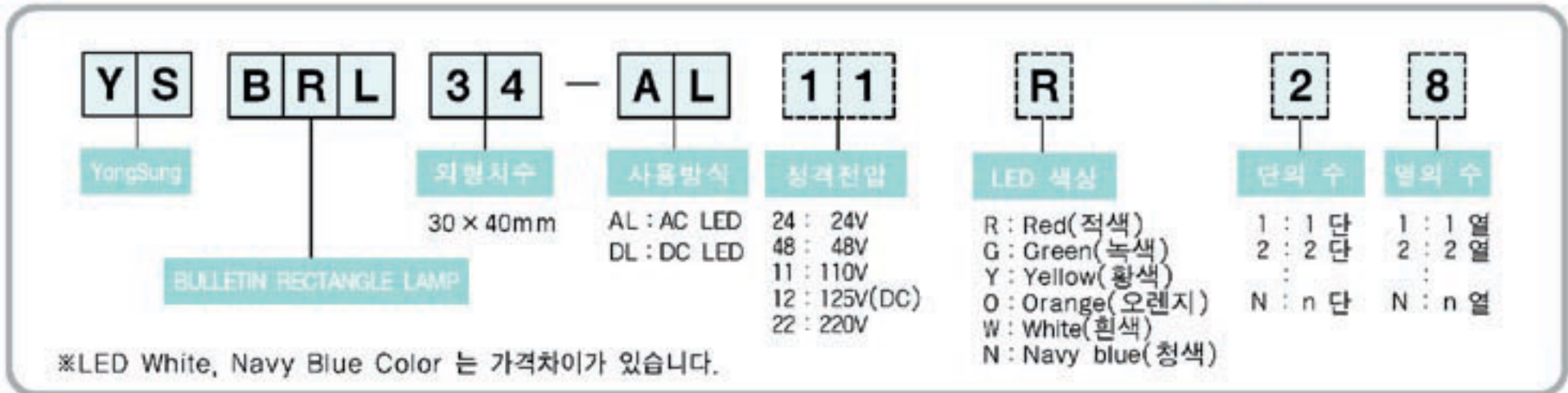
種別 (type)		單色全面照光 (single color overall illuminating)				
定格電壓 (1次電壓) rating voltage (primary voltage)		AC, DC24V	AC, DC 48V	AC, DC 110V	DC125V	AC, DC220V
內裝 LED (built-in LED)	定格電壓 (rating voltage)	DC24V				
	定格電流 (rating current)	below 20mA				
	發光色 (illuminating color)	Red, Green, Yellow, Orange, White, Blue				
絶緣抵抗 (Insulation resistance)		above 100MΩ (DC 500V. Meg)				
耐電壓 (Withstand voltage)		1,500V/min				
使用周圍溫度 (Ambient temperature)		-25 ~ +40°C				
相對濕度 (Relative humidity)		45 ~ 85%				

### • PANEL附着置數 - BULLETIN SQUARE LAMP (정사각표시등)

列(row) :  $30n + 5$  (n : number)  
段(grade) :  $30n + 5$

※Square Lamp(SL-33) P150 참조

• 形式 區分圖 - BULLETIN RECTANGLE LAMP (직사각표시등)



• 特徴 - Features

- 정사각형(BSL-33) 직사각형(BRL-34)로 구분되어 있어 용도에 따라 사용하기에 편리하게 되어있습니다.
- LED램프이므로 백열구에 비해 전력소비가 크게 절감이 됩니다.
- LED 램프는 조도를 밝고 선명하도록 고회도 LED를 사용하여 에폭시몰딩 처리하였습니다.
- LED램프 교체시 극성방향없이 사용하도록 설계되었습니다.
- LED 램프 COLOR는 Red, Green, Yellow, Orange, Blue, White 6색상으로 구분되어 있으며 특히 Green LED는 PG Green LED를 사용하여 선명하고 밝습니다.
- DC LED TYPE은 Check 단자를 적용하여 전면부의 전체 점등유무를 확인할 수 있도록 되어 있습니다. (Check 단자는 점등유무확인 목적이외 다른 목적으로 사용할 수 없습니다)
- It is convenient to use according to service with classifying of square (BSL-33) and rectangle(BRL-34).
- Power consumption of LED lamp is cut down highly than glow lamp.
- LED lamp is treated epoxy molding with using high brightness to bright and clear the illumination.
- It is designed to use without the direction of polarity when change LED lamp.
- Led lamp is classified 6 colors with Red, Green, Yellow, Orange, Blue, and White. Especially Green LED with PG green LED is brightness and clear.
- DC LED type is able to confirm total lighting to apply the check terminal block. (Check terminal block can not use by other purpose except lighting confirmation.)

• 仕様 - Specification

種別 (type)	單色全面照光 (single color overall illuminating)				
定格電壓 (1次電壓) rating voltage (primary voltage)	AC, DC24V	AC, DC 48V	AC, DC 110V	DC125V	AC, DC220V
內裝 LED (built-in LED)	定格電壓 (rating voltage)	DC24V			
	定格電流 (rating current)	below 20mA			
	發光色 (illuminating color)	Red, Green, Yellow, Orange, White, Blue			
絶緣抵抗 (Insulation resistance)	above 100MΩ (DC 500V. Meg)				
耐電壓 (Withstand voltage)	1,500V/min				
使用周圍溫度 (Ambient temperature)	-25 ~ +40°C				
相對濕度 (Relative humidity)	45 ~ 85%				

• PANEL附着置數 - BULLETIN RECTANGLE LAMP (직사각표시등)

列(row) : 40n + 5  
段(grade) : 30n + 5 (n : number)

※New Rectangle Lamp(NRL-34) P153 참조

## 6-8 사각 LED 표시등 (SL-48, SL-72) Square LED Lamp (SL-48, SL-72)

### • 特徴 - Features

- 3색 LED 방식(赤色, 綠色, 黃色)
- 매우 쉬운 스냅인 방식
- LED 램프는 전력소모도 절감되고 조도도 보다 밝은 고휘도 LED 적용
- 3 Color LED(Red, Green, Yellow)
- Ultra simple snap-in mounting
- LED Lamp is made up of LED which has high brightness and large reduced consumption of electric power.

### • 使用時の 注意事項 - Using note

- 端子의 極性에 注意 하십시오.(共通端子는 陰極임)
- DC 定格電壓은 完全直流値를 表示한 것입니다.
- Note polarity of terminal in wiring.(Common terminal is negative polarity.)
- DC rating voltage indicates perfect DC value.

### • 部品材質 - Part materials

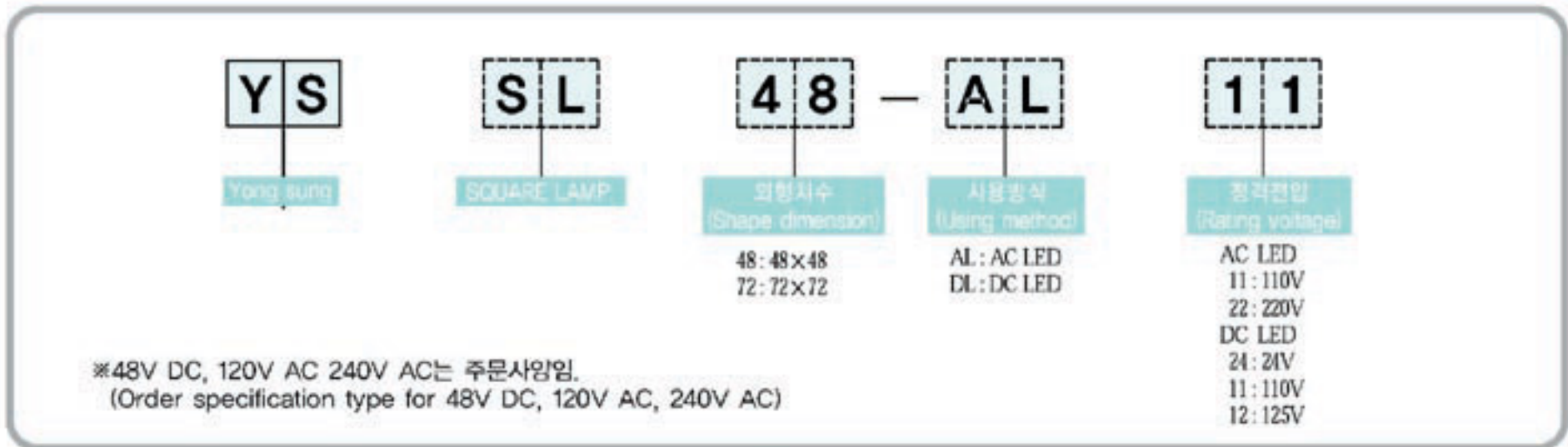
部 品 (Part)	材 質 (Materials)
홀 다 (Holder)	아세탈 수지 (Acetal Resin)
케이스 (Case)	아세탈 수지 (Acetal Resin)
단 자 (Terminal)	黃 銅 (Brass)
볼 트 (Bolt)	炭素鋼 (Carbon steel)

### • 性能 概要 - Performance summary

定格電壓 (1次電壓) Rating voltage (primary voltage)	AC 110V	AC 220V	DC 24V	DC 110V	DC 125V
發光色 (Illuminating color)	赤色, 綠色, 黃色 (Red, Green, Yellow)				
定格電流 (Rating current)	20mA 이하 (below 20mA)				
絶緣抵抗 (Insulation resistance)	100MΩ 이상 (above 100MΩ (DC 500V. Meg))				
耐電壓 (Withstand voltage)	AC 2,000V/min				
使用周圍溫度 (Ambient temperature)	-25℃ ~ +40℃				
相對濕度 (Relative humidity)	45 ~ 85%				

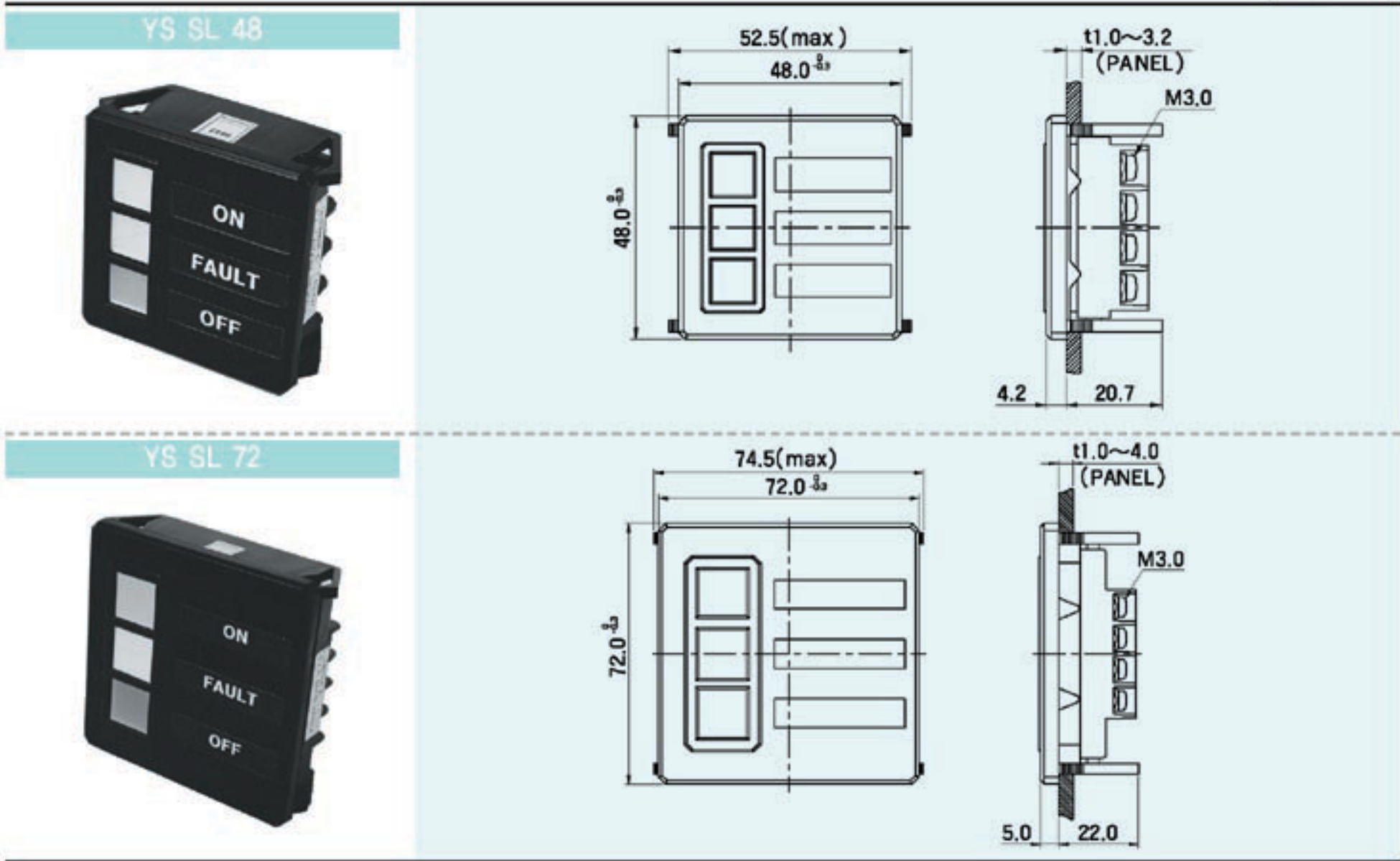


• 形式 區分圖 - Type classification diagram



• 外形/值數圖 - Shape/Dimension Drawing

(unit : mm)



• Panel 취부 치수도 - Panel attachment dimension

(unit : mm)

