

# VTCO

**Industria capacitor**  
Shenzhen Intensive Science Co., Ltd



## 公司介绍

深圳市速成科技有限公司是中国广成集团有限公司(CGC)的全资子公司。创办于 2005 年，是一家从事研发、生产、销售及售后服务于一体的大型专业铝电容电解和薄膜电容的制造企业。公司产品广泛应用工业电容器、新能源等。

公司产品一线（铝电解电容），主要产品有 VCGF6A、VCGF5A 系列变频器铝电解电容、电焊机铝电解电容、感应加热铝电解电容等。

公司产品二线（薄膜电容），主要产品有 DC-link 电容器、IGBT 吸收保护电容器、高压谐振、耦合电容器以及输入输出滤波电容器。在高频开关电源、焊机电源、电镀电源、UPS、感应加热设备，新能源等其他电力电子行业得到广泛应用。

## COMPANY INTRODUCTION

Shenzhen intensive science Co., LTD. is China's wide into group Co., LTD (CGC), a wholly owned subsidiary, founded in 2005. it is a large aluminum electrolytic capacitors and film capacitor manufacturer than integrates R&D, design, production, sales and after service. its product is found in industrial electronic, new energy and so on.

Product Line I (aluminum electrolytic capacitors), main product: VCGF6A、VCGF5A series , inverter aluminum electrolytic capacitors, welding machine aluminum electrolytic capacitors, induction heating aluminum electrolytic capacitors and so on.

Product Line II (film capacitor) main product: include DC-link capacitor, IGBT snubber capacitors, high-voltage resonance and coupling capacitors, input/output filter capacitors, which are found in the industries of high-frequency switching power supply, welding machine, plating power supply, UPS, induction heating equipment and new energy.

## TECHNICAL

## STRENGTH

### 技术实力

● We own special capacitor producing equipments , and rich product line. It can provide various models of product specifications to meet the various needs of customers.

● We gain the New Hi-Tech certificate issued by nation. We own a strong and professional product developed group. At present, we have already more than 10 patents by now, make VTCO stand the top in this industry of technical.

● Intensive science found in 2005, we own Hitachi capacitor professional technology. We own numbers of technicians, who are even senior experts..

● We do the reliability evaluation for all the product, and we promise that the failure rate is lower than 10PPM.

● 公司拥有制造各种专业电容器生产及检测设备的能力，丰富的产品生产线，能为客户提供各种型号规格的产品，以满足客户的各种需要。

● 公司获得国家颁发的高新技术认证，并拥有强大而且专业的产品开发队伍，目前已经拥有十几项发明专利，使得公司处于行业中技术领先的地位。

● 公司成立于2005年，具有日立电容专业的电容器技术，拥有多名的专家级技术人员，主要骨干具有二十几年的生产经验。

● 公司可对各个产片做出可靠性评估，给每个客户的产品承诺失效率小于10PPM.



## HIGH-EFFICIENCY

# R&D MANAGEMENT

## 高效的研发管理

### 技术的团队 R&D Team/

速成科技拥有一支 20 人的专注于铝电解电容和金属化薄膜电容技术的研发团队，并有 2 位来自日立电容工作的研发人员，拥有 15 项核心专利。

**INTENSIVE SCIENCE own a researching group 20 persons for aluminum electrolytic capacitors and metalized film capacitor technology, in 2 person from Hitachi capacitor among them, and own 15 main patents.**

### 技术核心 Technical core/

立于日立电容技术的基础和多年的电容的生产经验，以概念设计、大胆创新为理念，构成了 VTCO 产品的技术优势。

**Based on Hitachi capacitor technology and the experience of capacitor for many years, we adhere to notional design and bold innovation. There are all VTCO technical advantages.**

### 技术保障 Technical Assurance/

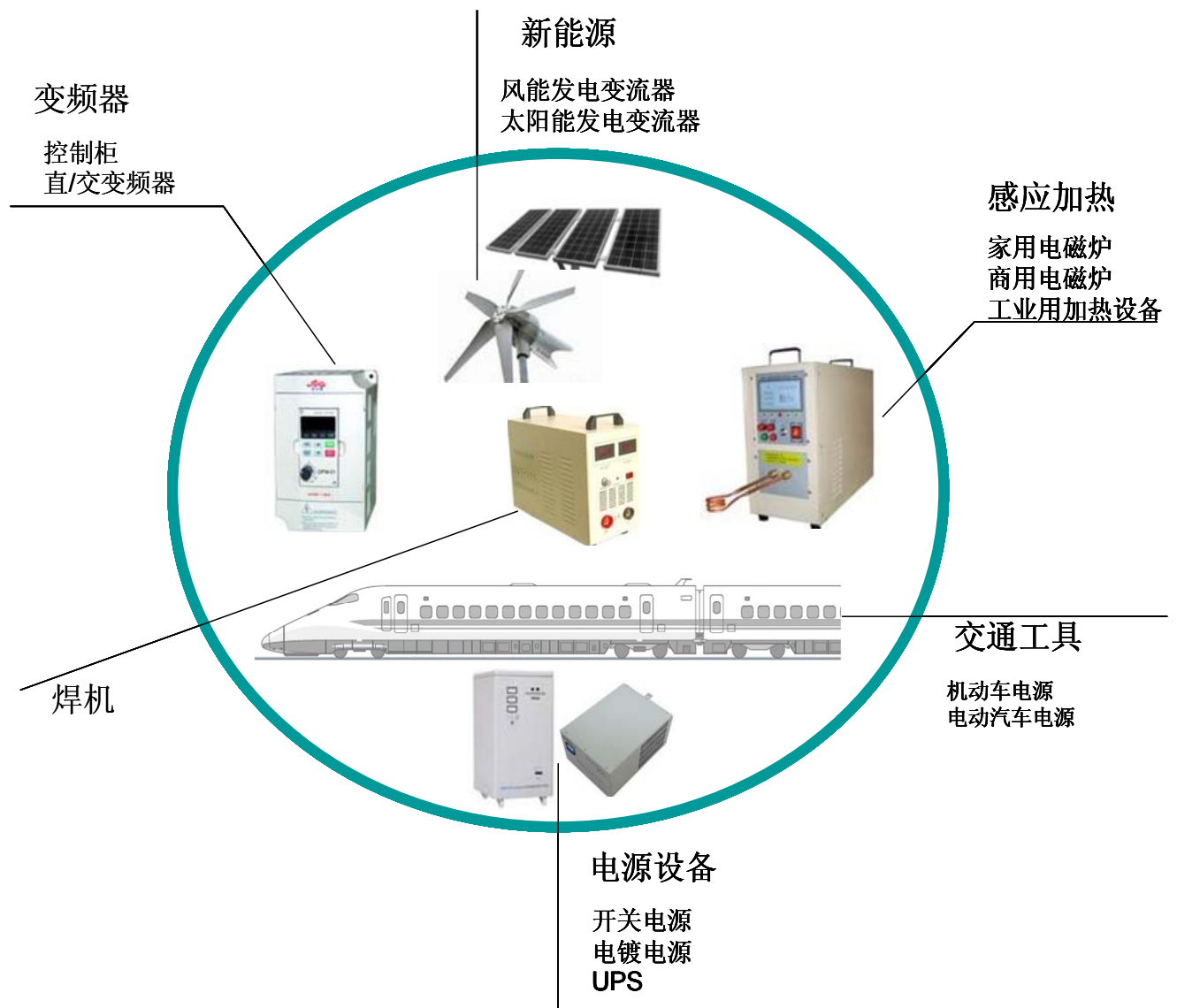
具备完备的设计、工艺、检验文件和独特的可靠性评估大纲，产品质量达 6 $\sigma$  水平。

**There are consummate design, technic, test paper anf particular reliability evaluation and our quality can reach 6 $\sigma$  level**

### 技术支持 Technical support

与清华大学等著名高校建立了紧密的技术合作关系。公司配备了应用工程师，为客户提供更完善的应用支持

**INTENSIVE SCIENCE set up closed cooperation with famous academies, just like Tsinghua University . we own application engineer, who can supply application support for customers.**



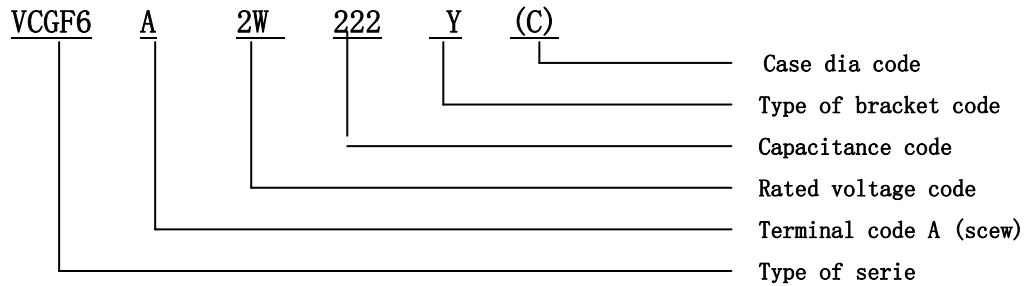
PRODUCTS APPLICATION

VTCO 电容的应用

## Catalog

- 01 How to order screw terminal type aluminum electrolytic capacitors
- 02 VCG6A/ screw terminal type aluminum electrolytic capacitors
- 05 VCG5A/ screw terminal type aluminum electrolytic capacitors
- 10 SCS/metalized film snubber protection capacitor
- 12 SCB/ metalized film snubber protection capacitor
- 14 SCR/ metalized film high voltage resonance capacitor
- 20 SCHM/SCM/water cooling metalized film resonance capacitor
- 22 SCL/ metalized film coupling / filter capacitor
- 27 SCLL/ metalized film filter capacitor
- 29 SCLS/ metalized film filter capacitor
- 31 SCG/SG/ metalized film filter/ storage capacitor
- 35 SCA/ metalized film DC-Link capacitor
- 36 SCH/ water cooling metalized film high voltage capacitor
- 38 SCT/ metalized film high voltage resonance capacitor
- 40 SCW/ metalized film high voltage resonance capacitor
- 43 SCV/SCJ/ metalized film AC filter capacitor

■ HOW TO ORDER



Type of series

Type of series
VCGF6A
VCGF5A

Rated voltage

Rated voltage code	Rated voltage (v)
0J	6.3
1A	10
1C	16
1E	25
1V	35
1H	50
1J	63
1K	80
2A	100
2C	160
2D	200
2E	250
2V	350
2G	400
2W	450
2H	500
2L	550
600V	600

Capacitance code

Capacitance code	Capacitance code (uF)	Capacitance code	Capacitance code (uF)
271	270	822	8200
331	330	103	10000
391	390	123	12000
471	470	153	15000
561	560	183	18000
681	680	223	22000
821	820	273	27000
102	1000	333	33000
122	1200	393	39000
152	1500	473	47000
182	1800	683	68000
222	2200	104	100000
272	2700	154	150000
332	3300	224	220000
392	3900	334	330000
472	4700	474	470000
562	5600	564	560000
682	6800	684	680000

Type of bracket code

Type of bracket code	Bracket
I	Bracket I type
Y	Bracket Y type
X	Bracket X type
B	Stud screw capacitor
IUC	Insulation holder I type
YUC	Insulation holder Y type

case dia code

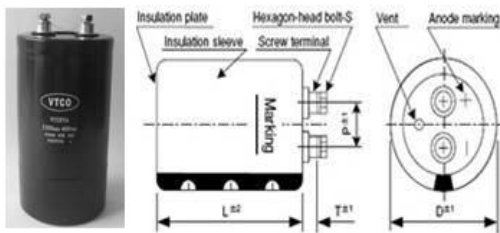
case dia code	case dia (mm)
A	36
C	51
D	64
E	77
F	90
G	101
K	121

**VCGF6A 系列 Useful of 4,000 hours at 85°C (Warranty of 2,000 hours at 85°C)**

• Comform RoHS

**Features**

\*The size is reduced by about 14% of the HCGF5A series and the rating 500 V DC is added in the series. A super large case product of ø100 is also added.



(Unit: mm)

φ D	P	S	T	Cap material
51	22.0	M5×10	4.5	PPS
64	28.6	M5×10	4.5	PPS
77	32.0	M5×10	4.5	PPS
90	32.0	M5×10	4.0	PPS
101	32.0	M6×12	3.0	PPS

Items	Specifications
Temperature range	-25° C ~ +85° C
Rated voltage	400 ~ 500V DC
Capacitance tolerance	20% (20° C, 120Hz)
Leakage current	0.01 CV (μA) or 5 mA, whichever is smaller or less (20°C, after 5 minutes) [C = nominal capacitance (μF), V = rated voltage (V)]
Dissipation factor	Less than the value specified in the standard products table. (20°C, 120Hz)
Permissible ripple current	As specified in the standard products table. (40°C, 120Hz)
Endurance	After the rated voltage with specified ripple current is applied at 85° C for 2000 hours: Capacitance change : Within ±15% of initial value Dissipation factor : Not more than 175% of initial value specified Leakage current : Not more than initial value specified
Others	JIS C 5101-4.

**Ripple current correction coefficient**

Temperature(°C)	40	60	70	85	
Correction coefficient	1.0	0.75	0.62	0.37	
Frequency (HZ)	50/60	120	300	1k	≥ 10k
Correction coefficient	0.7	1.0	1.1	1.3	1.4

Terminal permissible currents: 60Arms for M5; 100Arms for M6. Please use this type of capacitor at a terminal current below the permissible.

Product code : (Example) VCGF6A Series A case 400V 10,000μF ±20%

**VCGF6 A 2G 103 Y (F)**

- VCGF6: Type of series
- A: Terminal code A (screw)
- 2G: Rated voltage code
- 103: Capacitance code
- Y: Type of bracket code
- (F): case dia code (\*)

**Bracket**

- Product names in the Standard Products able correspond to the bracket for Type Y (Type I for ø36 only), but Type I bracket may be used (Type of bracket code = I).
- If bracket are not necessary, enter "N" for the type of bracket code.
- Bracket will be delivered separately.



Standard Products Table

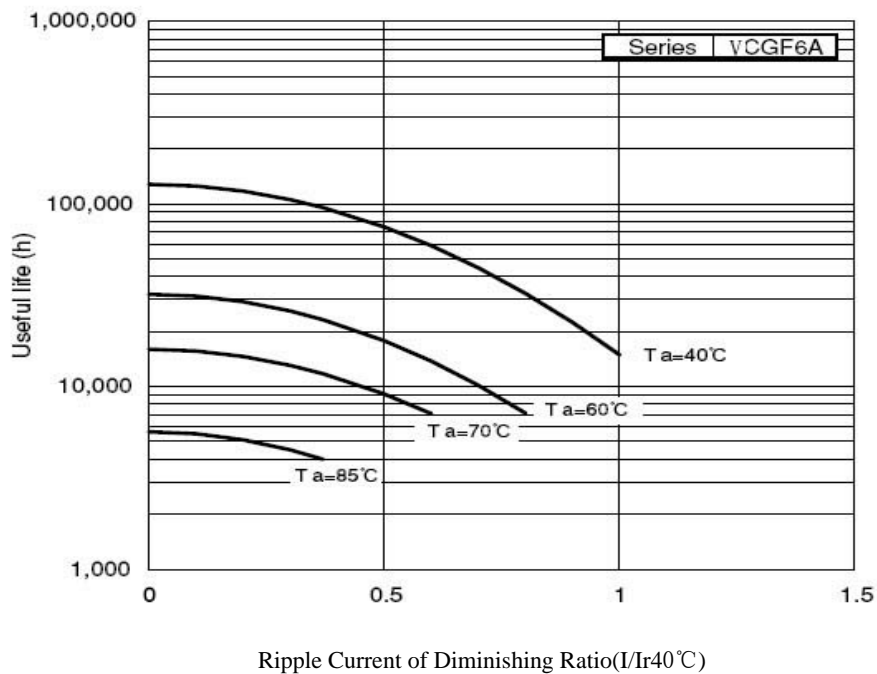
Rated Voltage(VCD)	Capacitance (μF)	Case size φ DXL(mm)	tanδ 20°C,120Hz	Ripple current 40°C,120Hz (Arms)	ESR(typ.) 20°C,100Hz (mΩ)	Z max 20°C,10kHz (mΩ)	ESL(typ.) (nH)	Product name
400	2200	51×115	0.20	16.5	61	63	21	VCGF6A2G222Y
	2700	51×130	0.20	19.2	50	52	21	VCGF6A2G272YC
		64×96	0.20	18.7	50	52	22	VCGF6A2G272YD
	3300	64×96	0.20	20.7	41	42	22	VCGF6A2G332Y
	3900	64×115	0.20	24.1	35	37	22	VCGF6A2G392Y
	4700	64×130	0.20	27.8	29	32	22	VCGF6A2G472Y
	5600	77×115	0.20	30.6	25	28	24	VCGF6A2G562Y
	6800	77×130	0.2	35.4	22	25	24	VCGF6A2G682Y
	8200	77×155	0.20	41.6	18	21	24	VCGF6A2G822Y
	10000	77×195	0.20	50.5	17	20	24	VCGF6A2G103YE
		90×131	0.20	45.8	17	19	24	VCGF6A2G103YF
	12000	90×157	0.20	53.8	12	15	24	VCGF6A2G123Y
	15000	90×196	0.20	65.7	10	13	24	VCGF6A2G153Y
	18000	90×236	0.20	77.7	9	12	12	VCGF6A2G183YF
101×175		0.20	69.8	9	12	12	VCGF6A2G183YG	
22000	101×237	0.20	86.8	8	11	11	VCGF6A2G223Y	
450	1800	51×115	0.20	14.9	77	80	21	VCGF6A2W182Y
	2200	51×130	0.20	17.3	63	65	21	VCGF6A2W222YC
		64×96	0.20	16.9	63	65	22	VCGF6A2W222YD
	2700	64×96	0.20	18.7	52	54	22	VCGF6A2W272Y
	3300	64×115	0.20	22.2	42	44	22	VCGF6A2W332Y
	3900	64×130	0.20	25.3	38	40	22	VCGF6A2G392Y
	4700	77×115	0.20	28.1	34	36	24	VCGF6A2W472Y
	5600	77×130	0.2	32.1	31	33	24	VCGF6A2W562Y
	6800	77×155	0.20	37.9	25	27	24	VCGF6A2W682Y
	8200	77×195	0.20	45.8	21	23	24	VCGF6A2W822YE
		90×131	0.20	41.5	21	23	24	VCGF6A2W822YF
	10000	90×171	0.20	50.6	17	19	24	VCGF6A2G103Y
	12000	90×196	0.20	58.7	16	18	24	VCGF6A2W123YF
		101×175	0.20	57.0	16	18	33	VCGF6A2W123YG
	15000	90×236	0.20	70.9	15	17	24	VCGF6A2W153YF
		101×195	0.20	66.5	151	17	33	VCGF6A2W153YG
18000	101×237	0.20	78.5	14	16	33	VCGF6A2W183Y	
500	1200	51×115	0.20	12.2	112	120	21	VCGF6A2H122YC
		64×96	0.20	12.5	112	120	22	VCGF6A2H122YD

Standard Products Table

Rated Voltage(VCD)	Capacitance (μF)	Case size φ DXL(mm)	tanδ 20° C,12 0Hz	Ripple current 40°C,120Hz (Arms)	ESR(typ.) 20°C,100 Hz (mΩ)	Z max 20°C,1 0kHz (mΩ)	ESL(ty p.) (nH)	Product name
500	1500	51×130	0.20	14.3	90	96	21	VCGF6A2H152YC
		64×96	0.20	13.9	90	96	22	VCGF6A2H152YD
	1800	64×115	0.20	16.4	75	80	22	VCGF6A2H182Y
	2200	64×130	0.20	19.0	61	65	22	VCGF6A2H222Y
	2700	77×115	0.20	21.3	50	53	24	VCGF6A2H272Y
	3300	77×130	0.20	24.6	45	48	24	VCGF6A2H332Y
	3900	77×155	0.20	28.7	38	41	24	VCGF6A2H392Y
	4700	77×171	0.2	32.9	34	37	24	VCGF6A2H472YE
		90×131	0.20	31.4	34	37	24	VCGF6A2H472YF
	5600	77×195	0.20	37.8	28	31	24	VCGF6A2H562YE
		90×157	0.20	36.7	28	31	24	VCGF6A2H562YF
	6800	90×171	0.20	41.8	23	25	24	VCGF6A2H682Y
	8200	90×196	0.20	48.5	21	23	24	VCGF6A2H822YF
		101×175	0.20	47.1	21	23	33	VCGF6A2H822YG
10000	90×236	0.20	57.9	17	19	24	VCGF6A2H103YF	
	101×195	0.20	54.3	17	19	33	VCGF6A2H103YG	
12000	101×237	0.20	64.1	16	18	33	VCGF6A2H123Y	

Life time graph

Useful life depending on ambient temperature Ta and ripple current operating conditions Ir versus rated ripple current at 40 °C, 120Hz



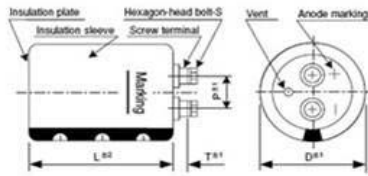
**VTCO Screw terminal type aluminum electrolytic capacitors**

**VCGF5A 系列 Useful of 4,000 hours at 85°C (Warranty of 2,000 hours at 85°C)**

- Comform RoHS

**Features**

standard products



(Unit: mm)

φ D	P	S	T	Cap material
36	12.7	M5×10	7.0	PPS
51	22.0	M5×10	4.5	PPS
64	28.6	M5×10	4.5	PPS
77	32.0	M5×10	4.5	PPS
90	32.0	M6×12	4.0	PPS

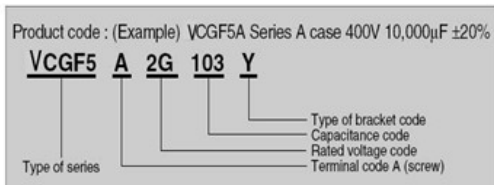
Product specifications

Items	Specifications
Temperature range	-25° C ~ +85° C
Rated voltage	160 ~ 450V.DC
Capacitance tolerance	20% (20° C,120Hz)
Leakage current	0.01 CV (μA) or 5 mA, whichever is smaller or less(20° C, after 5 minutes) [C = nominal capacitance (μF), V = rated voltage (V)]
Dissipation factor	Less than the value specified in the standard products table. (20° C,120Hz)
Permissible ripple current	As specified in the standard products table. (40° C,120Hz)
Endurance	After the rated voltage with specified ripple current is applied at 85° C for 2000 hours: Capacitance change : Within ±15% of initial value Dissipation factor : Not more than 175% of initial value specified Leakage current : Not more than initial value specified
Others	JIS C 5101-4.

Ripple current correction coefficient

Temperature(°C)	40	60	70	85	
Correction coefficient	1.0	0.75	0.62	0.37	
Frequency (HZ)	50/60	120	300	1k	≥10k
Correction coefficient	0.7	1.0	1.1	1.3	1.4

Terminal permissible currents: 60Arms for M5.  
Please use this type of capacitor at a terminal current below the permissible.



- Bracket**
- Product names in the Standard Products able correspond to the bracket for Type Y (Type I for ø36 only), but Type I bracket may be used (Type of bracket Code = I).
  - If bracket are not necessary, enter "N" for the type of bracket code.
  - Bracket will be delivered separately.

Standard Products Table

Rated Voltage(VCD )	Capacitance (μF)	Case size φ DXL(mm)	tanδ 20°C,120 Hz	Ripple current 40°C,120Hz (Arms)	ESR(typ.) 20°C,100Hz (mΩ)	Z max 20°C,10kHz (mΩ)	ESL(typ.) (nH)	Product name
160	3300	36×121	0.25	14.0	40	35	18	VCGF5A2C332I
	3900	51×75	0.25	14.4	37	28	21	VCGF5A2C392Y
	4700	51×75	0.25	15.8	30	25	21	VCGF5A2C472Y
	5600	51×96	0.25	19.0	26	23	21	VCGF5A2C472Y
	6800	51×96	0.25	21.0	22	22	21	VCGF5A2C682Y
	8200	51×115	0.25	24.7	18	19	21	VCGF5A2C822Y
	10000	64×96	0.25	28.0	15	16	22	VCGF5A2C103Y
	12000	64×96	0.25	30.6	12	15	22	VCGF5A2C123Y
	15000	64×130	0.25	38.6	11	12	22	VCGF5A2C153Y
	18000	64×130	0.25	42.2	9	11	22	VCGF5A2C183Y
	22000	77×130	0.25	49.4	8	8	24	VCGF5A2C223Y
	27000	77×130	0.25	54.7	7	8	24	VCGF5A2C273Y
	33000	90×131	0.25	64.2	6	7	24	VCGF5A2C333Y
39000	90×157	0.25	75.3	5	7	24	VCGF5A2C393Y	
200	2200	36×100	0.25	10.6	68	60	18	VCGF5A2D222I
	2700	36×121	0.25	12.7	48	39	18	VCGF5A2D272I
	3300	51×75	0.25	13.3	45	35	21	VCGF5A2D332Y
	3900	51×75	0.25	14.4	37	30	21	VCGF5A2D392Y
	4700	51×96	0.25	17.4	30	27	21	VCGF5A2D472Y
	5600	51×115	0.25	20.4	26	25	21	VCGF5A2D562Y
	6800	51×130	0.25	23.7	21	20	21	VCGF5A2D682Y
	8200	64×96	0.25	25.4	17	18	22	VCGF5A2D822Y
	10000	64×96	0.25	28.0	14	14	22	VCGF5A2D103Y
	12000	77×96	0.25	32.6	12	14	24	VCGF5A2D123Y
	15000	77×96	0.25	39.0	10	13	24	VCGF5A2D153Y
	18000	77×130	0.25	44.6	8	12	24	VCGF5A2D183Y
	22000	77×155	0.25	53.0	7	7	24	VCGF5A2D223Y
27000	90×131	0.25	58.2	6	7	24	VCGF5A2D273Y	
33000	90×157	0.25	69.0	5	7	24	VCGF5A2D333Y	
250	1500	36×100	0.25	8.7	56	50	18	VCGF5A2E152I
	1800	36×100	0.25	9.5	52	44	18	VCGF5A2E182I
	2200	51×75	0.25	10.8	20	40	21	VCGF5A2E222Y
	2700	51×75	0.25	12.0	41	36	21	VCGF5A2E272Y
	3300	51×96	0.25	14.6	36	35	21	VCGF5A2E332Y
	3900	51×115	0.25	17.0	31	30	21	VCGF5A2E392Y
	4700	64×96	0.25	19.2	25	23	22	VCGF5A2E472Y
	5600	64×96	0.25	21.0	21	21	22	VCGF5A2E562Y
	6800	64×115	0.25	24.7	18	18	22	VCGF5A2E682Y
	8200	64×115	0.25	27.1	15	16	22	VCGF5A2E822Y
	10000	64×130	0.25	31.5	12	14	22	VCGF5A2E103Y
	12000	77×115	0.25	34.8	10	11	24	VCGF5A2E123Y
	15000	77×130	0.25	40.8	8	11	24	VCGF5A2E153Y
18000	77×155	0.25	47.8	7	10	24	VCGF5A2E183Y	
22000	90×157	0.25	56.5	6	8	24	VCGF5A2E223Y	
350	390	36×53	0.20	4.5	287	296	18	VCGF5A2V391I
	470	36×83	0.20	5.8	238	245	18	VCGF5A2V471I
	560	36×83	0.20	6.4	216	222	18	VCGF5A2V561I
	680	36×83	0.20	7.0	192	197	18	VCGF5A2V681I
	820	36×100	0.20	8.3	170	174	18	VCGF5A2V821I
	1000	36×100	0.20	9.2	131	135	18	VCGF5A2V102I
1200	51×75	0.20	10.3	117	120	21	VCGF5A2V122Y	

Standard Products Table

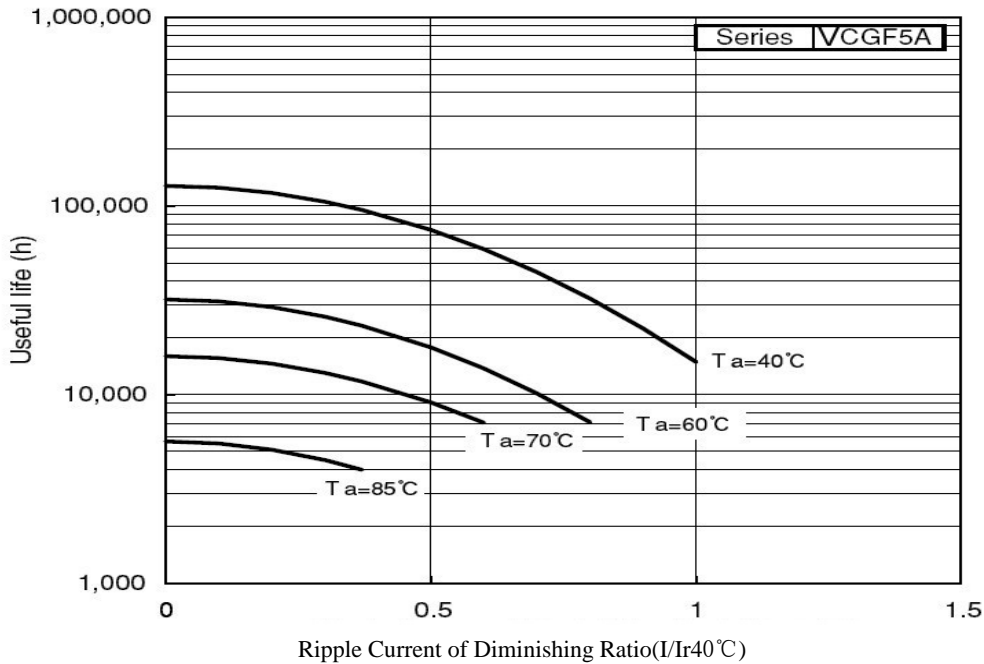
Rated Voltage(VCD)	Capacitance (μF)	Case size φ DXL(mm)	tanδ 20°C, 120 Hz	Ripple current 40°C, 120Hz (Arms)	ESR(typ.) 20°C, 100Hz (mΩ)	Z max 20°C, 10kHz (mΩ)	ESL(typ.) (nH)	Product name
350	1500	51×75	0.20	11.5	93	100	21	VCGF5A2V152Y
	1800	51×96	0.20	13.9	78	80	21	VCGF5A2V182Y
	2200	51×96	0.20	15.4	64	70	21	VCGF5A2V222Y
	2700	51×130	0.20	19.3	53	58	21	VCGF5A2V272Y
	3300	51×130	0.20	21.4	48	51	21	VCGF5A2V332Y
	3900	64×115	0.20	24.2	43	47	22	VCGF5A2V392Y
	4700	64×130	0.20	27.9	36	40	22	VCGF5A2V472Y
	5600	77×115	0.20	30.7	34	35	24	VCGF5A2V562Y
	6800	77×130	0.20	35.4	28	29	24	VCGF5A2V682Y
	8200	77×155	0.20	41.7	23	25	24	VCGF5A2V822Y
	10000	90×157	0.20	49.0	19	23	24	VCGF5A2V103Y
	12000	90×157	0.20	54.1	16	21	24	VCGF5A2V123Y
	15000	90×196	0.20	66.2	13	20	24	VCGF5A2V153Y
18000	90×236	0.20	77.9	10	20	24	VCGF5A2V183Y	
400	330	36×53	0.20	4.1	428	440	18	VCGF5A2G331I
	390	36×83	0.20	5.3	362	372	18	VCGF5A2G391I
	470	36×83	0.20	5.8	301	310	18	VCGF5A2G471I
	560	36×83	0.20	6.4	253	260	18	VCGF5A2G561I
	680	36×100	0.20	7.6	209	214	18	VCGF5A2G681I
	820	36×100	0.20	8.3	173	177	18	VCGF5A2G821I
	1000	51×75	0.20	9.4	140	150	21	VCGF5A2G102Y
	1200	51×75	0.20	10.3	117	125	21	VCGF5A2G122Y
	1500	51×96	0.20	12.7	100	108	21	VCGF5A2G122Y
	1800	51×96	0.20	13.9	88	90	21	VCGF5A2G122Y
	2200	51×130	0.20	17.4	68	75	21	VCGF5A2G122Y
	2700	64×96	0.20	18.8	59	66	22	VCGF5A2G122Y
	3300	64×115	0.20	22.2	48	53	22	VCGF5A2G122Y
	3900	64×130	0.20	25.4	43	48	22	VCGF5A2G122Y
	4700	77×115	0.20	28.2	36	41	24	VCGF5A2G122Y
	5600	77×130	0.20	32.2	32	37	24	VCGF5A2G122Y
	6800	77×155	0.20	38.0	26	30	24	VCGF5A2G122Y
8200	90×157	0.20	44.4	22	26	24	VCGF5A2G122Y	
10000	90×157	0.20	49.4	19	23	24	VCGF5A2G122Y	
12000	90×196	0.20	59.1	16	21	24	VCGF5A2G122Y	
15000	90×236	0.20	71.1	15	21	24	VCGF5A2G122Y	
450	270	36×53	0.20	3.7	482	496	18	VCGF5A2W271I
	330	36×83	0.20	4.9	295	406	18	VCGF5A2W331I
	390	36×83	0.20	5.3	334	343	18	VCGF5A2W391I
	470	36×83	0.20	5.8	277	284	18	VCGF5A2W471I
	560	36×100	0.20	6.9	232	238	18	VCGF5A2W561I
	680	36×100	0.20	7.6	191	196	18	VCGF5A2W681I
	820	51×75	0.20	8.6	182	187	21	VCGF5A2W821Y
	1000	51×75	0.20	9.4	149	154	21	VCGF5A2W102Y
	1200	51×96	0.20	11.4	124	129	21	VCGF5A2W122Y
	1500	51×115	0.20	13.7	107	108	21	VCGF5A2W152Y
	1800	51×130	0.20	15.8	93	100	21	VCGF5A2W182Y
	2200	64×96	0.20	17.0	77	84	22	VCGF5A2W222Y
	2700	64×115	0.20	20.2	62	69	22	VCGF5A2W272Y
	3300	64×130	0.20	23.4	54	61	22	VCGF5A2W332Y
	3900	77×115	0.20	25.6	46	51	24	VCGF5A2W392Y
	4700	77×130	0.20	29.4	38	43	24	VCGF5A2W472Y
	5600	77×155	0.20	34.6	32	37	24	VCGF5A2W562Y
	6800	90×157	0.20	40.5	28	33	24	VCGF5A2W682Y
	8200	90×157	0.20	44.6	25	30	24	VCGF5A2W822Y
10000	90×196	0.20	53.9	20	25	24	VCGF5A2W103Y	
12000	90×236	0.20	63.8	16	22	24	VCGF5A2W123Y	

Standard Products Table

Rated Voltage(VCD)	Capacitance (μF)	Case size φ DXL(mm)	tanδ 20°C,120Hz	Ripple current 40°C,120Hz (Arms)	ESR(typ.) 20°C,100Hz (mΩ)	Z max 20°C,10kHz (mΩ)	ESL(typ.) (nH)	Product name
450	270	36×53	0.20	3.7	482	496	18	VCGF5A2W271I
	330	36×83	0.20	4.9	295	406	18	VCGF5A2W331I
	390	36×83	0.20	5.3	334	343	18	VCGF5A2W391I
	470	36×83	0.20	5.8	277	284	18	VCGF5A2W471I
	560	36×100	0.20	6.9	232	238	18	VCGF5A2W561I
	680	36×100	0.20	7.6	191	196	18	VCGF5A2W681I
	820	51×75	0.20	8.6	182	187	21	VCGF5A2W821Y
	1000	51×75	0.20	9.4	149	154	21	VCGF5A2W102Y
	1200	51×96	0.20	11.4	124	129	21	VCGF5A2W122Y
	1500	51×115	0.20	13.7	107	108	21	VCGF5A2W152Y
	1800	51×130	0.20	15.8	93	100	21	VCGF5A2W182Y
	2200	64×96	0.20	17.0	77	84	22	VCGF5A2W222Y
	2700	64×115	0.20	20.2	62	69	22	VCGF5A2W272Y
	3300	64×130	0.20	23.4	54	61	22	VCGF5A2W332Y
	3900	77×115	0.20	25.6	46	51	24	VCGF5A2W392Y
	4700	77×130	0.20	29.4	38	43	24	VCGF5A2W472Y
	5600	77×155	0.20	34.6	32	37	24	VCGF5A2W562Y
6800	90×157	0.20	40.5	28	33	24	VCGF5A2W682Y	
8200	90×157	0.20	44.6	25	30	24	VCGF5A2W822Y	
10000	90×196	0.20	53.9	20	25	24	VCGF5A2W103Y	
12000	90×236	0.20	63.8	16	22	24	VCGF5A2W123Y	

Life time graph

Useful life depending on ambient temperature Ta and ripple current operating conditions Ir versus rated ripple current at 40°C, 120Hz



## FILM CAPACITOR

### Power Electronic Capacitors

#### ■ Induction heater capacitors

- SCLL DC-Link capacitor(large)
- SCL High frequency filter capacitor(small)
- SCA DC-Link capacitor(large)
- SCR Resonance capacitor
- SCH High voltage induction heating power resonance capacitor(high frequency)
- SCW Water cooling capacitor for induction heating(Large)
- SCHM capacitor for induction heating
- SCT High frequency filter capacitor
- SCJ(SCV) AC filter capacitor

#### ■ Electric capacitor

- SCLL DC-Link capacitor(large)
- SCL High frequency filter capacitor(small)
- SCA DC-Link capacitor(large)
- SCLS DC-Link capacitor(subminiature)
- SCB IGBT snubber protection capacitor
- SCR Resonance capacitor
- SCT High frequency filter capacitor
- SCJ(SCV) AC filter capacitor

#### ■ Transducer & inverter

- SCLL DC-Link capacitor(large)
- SCG DC-Link capacitor(huge)
- SCL High frequency filter capacitor(small)
- SCA DC-Link capacitor(large)
- SCB IGBT snubber protection capacitor
- SCT High frequency filter capacitor
- SCJ(SCV) AC filter capacitor

#### ■ Vehicle capacitor

- SCG DC-Link capacitor(huge)
- SCL High frequency filter capacitor(small)
- SCA DC-Link capacitor(large)
- SCS High frequency filter capacitor(small)
- SCT High frequency filter capacitor
- SCJ(SCV) AC filter capacitor



## Metalized film snubber protection capacitor

### Plastic Case Capacitor

#### IGBT Snubber Capacitor SCS

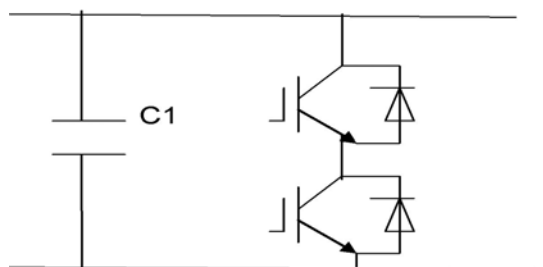
Metallized polypropylene dielectric with non-inductive construction and special metal spray technics, plastic case seal with epoxy resin, silver-gilt terminal

High stability, good frequency property,  
Low dissipation & inductance.

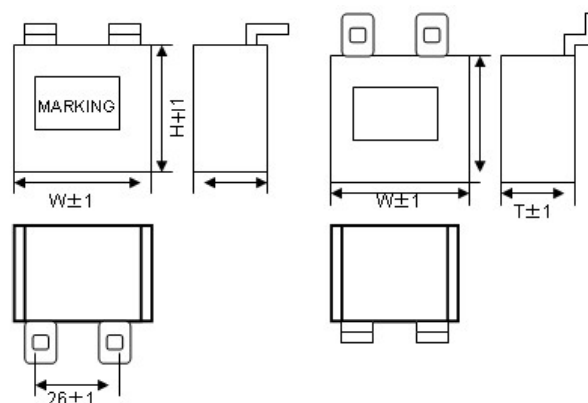
Widely used in power electronic equipment, UPS, inverter, electroplating power, welding machine for IGBT snubber.



#### Typical circuit



#### Outline drawing



#### Specifications

Operating temp rang	-40°C~+85°C / 105°C
Capacitance	0.1~4.7µF
Capacitance tolerance	±5%(J)、±10% (k)
Rated voltage	600~3000V.DC(50KHz)
Withstand voltage	1.75Un/60S
Dissipation factor	tgδ ≤0.0008(at 10KHz)
Insulation resistance	CxRs≥5000S(at 20°C 100V.DC 60S)
Withstand strike current ability	Dv/dt>600v/µs
Flame retardation	UL94V-0
Stray inductance	≤20nH
Effective current	8~15A
Referenced standard	IEC 61071 GB17702.1 CGE

sc-leadertech.net



## Metalized film snubber protection capacitor

VTCO

### Un/1000V.DC

Part number	Cn	W(mm)	H(mm)	T(mm)	P(mm)	ESR(mΩ)	ESL(nH)	Dv/dt((V/μs)	Lpk(A)	Irms(70°C 100KHz)
WX-1000-0.47-1	0.47	42.5	27.5	24.5	26	11	21	1000	470	8.4
Wx-1000-0.68-1	0.68	42.5	27.5	24.5	26	8	23	1000	680	9.5
Wx-1000-1-1	1	42.5	35.5	33.5	26	6	20	900	900	12.4
Wx-1000-1.5-1	1.5	42.5	45	30	26	6	19	900	1350	13.6
Wx-1000-2-1	2	42.5	45	33	26	5	16	800	1600	15.5
Wx-1000-2.5-1	2.5	42.5	45	33	26	5	16	800	2000	18.4

### Un/1200V.DC

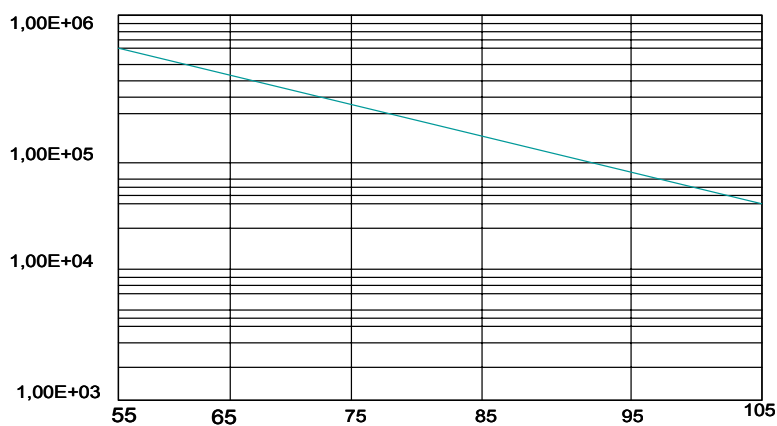
Part number	Cn	W(mm)	H(mm)	T(mm)	P(mm)	ESR(mΩ)	ESL(nH)	Dv/dt((V/μs)	Lpk(A)	Irms(70°C 100KHz)
WX-1200-0.47-1	0.47	42.5	27.5	24.5	26	11	21	1200	564	8.8
Wx-1200-0.68-1	0.68	42.5	35.5	33.5	26	7	23	1200	816	11.4
Wx-1200-1-1	1	42.5	35.5	33.5	26	6	20	1100	1100	13.6
Wx-1200-1.5-1	1.5	42.5	45	33	26	4	19	1100	1650	17.6
Wx-1200-2-1	2	57.5	45	30	26	3.3	15	1000	2000	17.6
Wx-1200-2.5-1	2.5	57.5	50	35	26	3	16	1000	2500	21.2

### Un/1600V.DC

Part number	Cn	W(mm)	H(mm)	T(mm)	P(mm)	ESR(mΩ)	ESL(nH)	Dv/dt((V/μs)	Lpk(A)	Irms(70°C 100KHz)
WX-1600-0.47-1	0.47	42.5	27.5	24.5	26	10	22	1300	611	8.8
Wx-1600-0.68-1	0.68	42.5	35.5	33.5	26	7	21	1300	884	11.4
Wx-1600-1-1	1	42.5	45	33	26	6	20	1200	1200	14.3
Wx-1600-1.5-1	1.5	57.5	45	30	26	4	19	1200	1800	18
Wx-1600-2-1	2	57.5	50	35	26	4	17	1100	2200	18
Wx-1600-2-2	2	57.5	54	38	34	4	17	1100	2200	20
Wx-1600-2.5-1	2.5	57.5	50	35	26	4	17	1100	2750	20

### Un/2200V.DC

Part number	Cn	W(mm)	H(mm)	T(mm)	P(mm)	ESR(mΩ)	ESL(nH)	Dv/dt((V/μs)	Lpk(A)	Irms(70°C 100KHz)
Wx-2200-0.47-1	0.47	42.5	35.5	33.5	26	10	22	1500	705	9.6
Wx-2200-0.68-1	0.68	42.5	35.5	33.5	26	7	20	1500	1020	12.4
Wx-2200-0.68-2	0.68	42.5	45	33	26	6	18	1500	1020	14.5
Wx-2200-1-1	1	57.5	45	30	26	5	17	1400	1400	15
Wx-2200-1.5-1	1.5	57.5	50	35	26	4	16	1400	2100	18
Wx-2200-2-1	2	57.5	45	38	26	4	16	1300	2600	21



Lifetime Expectancy (hours)  
Permanent working or operating DC-voltage

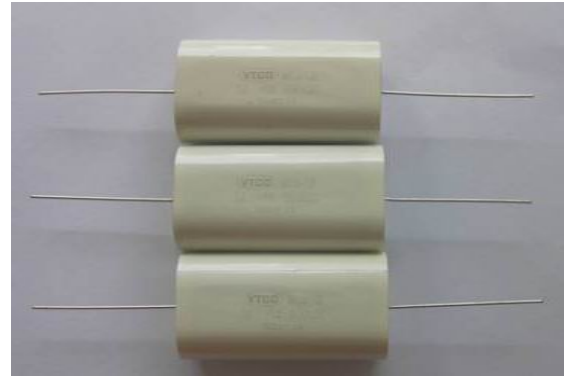
sc-leadertech.net

**Axial Capacitor**

**IGBT Snubber capacitor SCB**

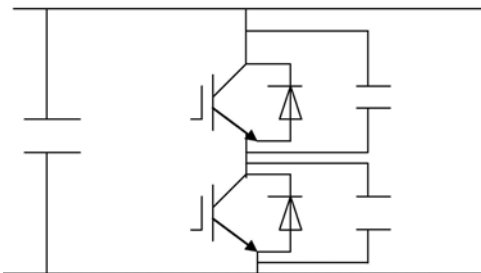
Metallized polypropylene dielectric with non-inductive construction and special metal spray technics, seal with epoxy resin and fetch out by tinned copper wire.

High stability, good frequency property, small size, good self-healing property, withstand high voltage.

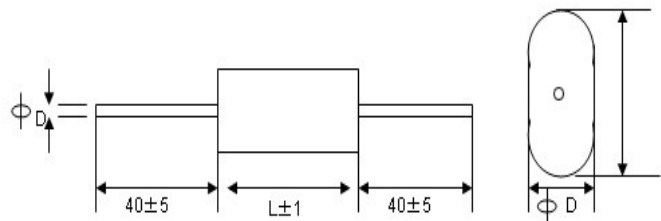


Widely used in UPS, inverter, electroplating power, welding machine for IGBT snubber.

Typical circuit



Outline drawing



specifications

Operating temp rang	-40℃~+85%/+105℃
Capacitance	0.01~4.7μF
Capacitance tolerance	±5%(J)、±10% (k)
Rated voltage	800~3000V.DC(50KHz)
Withstand voltage	1.75Un/60S
Dissipation factor	tgδ ≤0.0008(at 10KHz)
Insulation resistance	CxRs≥5000S(at 20℃ 100V.DC 60S)
Withstand strike current ability	Dv/dt>600v/μs
Flame retardation	UL94V-0
Stray inductance	≤30nH
Effective current	7~15A

## Metalized film snubber protection capacitor

VTCO

### Un/1000V.DC

Part number	Cn	W(mm)	H(mm)	T(mm)	P(mm)	ESR(mΩ)	ESL(nH)	Dv/dt((V/μs)	Lpk(A)	Irms(70°C 100KHz)
Wx-1000-0.068-1	0.068	27	10	21	0.8	11	18	1100	74.8	3.8
Wx-1000-0.1-1	0.1	32	8	15	0.8	10	20	1100	110	5.5
Wx-1000-0.22-1	0.22	32	12	20	1	7	21	1000	220	7.3
Wx-1000-0.33-1	0.33	32	15.5	26	1	6	21	1000	330	8.7
Wx-1000-0.47-1	0.47	32	18	27.5	1.2	5	23	1000	470	10.5
Wx-1000-0.68-1	0.68	32	23	32	1.2	5	25	900	612	11.7
Wx-1000-1-1	1	44	22	33	1.2	4	27	900	900	12.4
Wx-1000-1.5-1	1.5	44	27	37	1.2	4	29	900	1350	13.5
Wx-1000-2.2-1	2.2	44	30	43	1.2	3	32	900	1980	14.5
Wx-1000-3-1	3	57	29	40	1.2	3	34	800	2400	17.2
Wx-1000-3.3-1	3.3	57	30	41	1.2	3	35	800	2640	17.8

### Un/1200V.DC

Part number	Cn	W(mm)	H(mm)	T(mm)	P(mm)	ESR(mΩ)	ESL(nH)	Dv/dt((V/μs)	Lpk(A)	Irms(70°C 100KHz)
Wx-1200-0.68-1	0.068	27	9	18	0.8	11	18	1300	88.4	4
Wx-1200-0.1-1	0.1	32	9	16	0.8	10	20	1300	130	6
Wx-1200-0.22-1	0.22	32	14	22	1	7	22	1200	264	8.3
Wx-1200-0.33-1	0.33	32	16	26	1	7	23	1200	396	8.7
Wx-1200-0.47-1	0.47	32	21	31	1.2	7	23	1200	564	9.5
Wx-1200-0.47-2	0.47	44	16	24	1.2	7	26	1200	564	9.8
Wx-1200-0.68-1	0.68	44	19	30	1.2	6	27	1100	816	11.7
Wx-1200-1-1	1	44	22	33	1.2	4	28	1100	1100	12.4
Wx-1200-1.5-1	1.5	44	29	39	1.2	4	30	1100	1650	13.5
Wx-1200-2.2-1	2.2	44	38	47.5	1.2	4	30	1000	2420	14.5
Wx-1200-2.2-2	2.2	57	29	40	1.2	4	35	1000	2200	14.5
Wx-1200-3-1	3	57	34	45	1.2	4	37	1000	3000	17.2
Wx-1200-3.3-1	3.3	57	35	49	1.2	3	38	1000	3300	17.8

### Un/1600V.DC

Part number	Cn	W(mm)	H(mm)	T(mm)	P(mm)	ESR(mΩ)	ESL(nH)	Dv/dt((V/μs)	Lpk(A)	Irms(70°C 100KHz)
Wx-1600-0.68-1	0.068	27	12	18.5	0.8	11	19	1300	88.8	6.1
Wx-1600-0.1-1	0.1	32	10	17	0.8	10	21	1300	130	7.5
Wx-1600-0.22-1	0.22	32	16	22.5	1.2	7	23	1200	264	9.3
Wx-1600-0.33-1	0.33	32	18	27.5	1.2	6	24	1200	396	9.9
Wx-1600-0.47-1	0.47	37	20	28	1.2	6	26	1200	564	11.2
Wx-1600-0.68-1	0.68	44	20	31	1.2	5	27	1100	748	11.7
Wx-1600-1-1	1	44	25	27	1.2	5	29	1100	1100	12.4
Wx-1600-1.5-1	1.5	44	31	44	1.2	4	30	1100	1650	13.5
Wx-1600-1.5-2	1.5	57	24	35	1.2	4	30	1000	1500	13.5
Wx-1600-2.2-1	2.2	57	30	41	1.2	4	34	1000	2200	14.5
Wx-1600-3-1	3	57	36	49	1.2	4	38	1000	3000	17.2

### Un/2000V.DC

Part number	Cn	W(mm)	H(mm)	T(mm)	P(mm)	ESR(mΩ)	ESL(nH)	Dv/dt((V/μs)	Lpk(A)	Irms(70°C 100KHz)
Wx-2000-0.068-1	0.068	37	11	17.5	1	10	20	1600	108.8	6.9
Wx-2000-0.1-1	0.1	37	12	18.5	1	9	22	1600	160	8.2
Wx-2000-0.22-1	0.22	37	16.5	24.5	1.2	8	27	1500	330	9.1
Wx-2000-0.33-1	0.33	37	20	29	1.2	8	28	1500	495	10.2
Wx-2000-0.47-1	0.47	37	23	35	1.2	7	29	1500	705	12.4
Wx-2000-0.68-1	0.68	44	25	37	1.2	6	32	1400	952	14.2
Wx-2000-1-1	1	57	24	36	1.2	5	35	1400	1400	14.5
Wx-2000-1.5-1	1.5	57	30	43	1.2	5	37	1300	1950	14.5
Wx-2000-2.2-1	2.2	57	37	50	1.2	5	39	1300	2860	17.8

**Axial Capacitor**

**IGBT Snubber capacitor SCR**

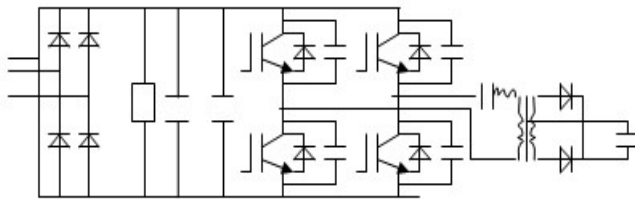
Metallized polypropylene dielectric with non-inductive construction and special metal spray technics, seal with epoxy resin, brass terminals.

- High stability, small size
- Good self-healing properly ,
- Low dissipation & inductance
- Withstand heavy current

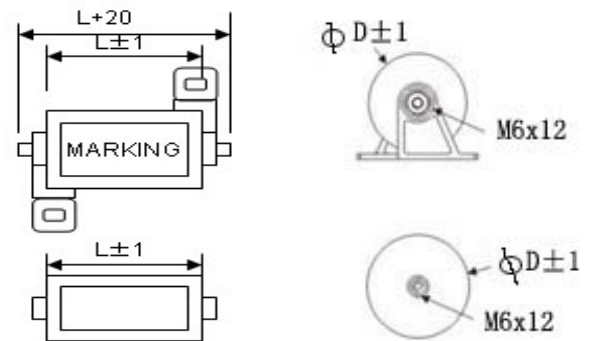


Widely used invertible circuit for resonance

**Typical circuit**



**Outline drawing**



**Specifications**

Operating temp rang	-40°C ~ +85%/+105°C
Capacitance(Qn)	0.1~10μF (20~200KVar)
Capacitance tolerance	±5%(J)、±10% (k)
Rated voltage	800~2000V. AC
Withstand voltage	1.5Un/60S
Dissipation factor	tgδ ≤ 0.0005 (at 10KHz)
Insulation resistance	CxRs ≥ 5000S (at 20°C 100V.DC 60S)
Withstand strike current ability	Dv/dt > 600v/μs
Flame retardation	UL94V-0
Stray inductance	≤ 30nH
Effective current	30~100A



**Rresonance Capacitoer SCR**

Un/1200V.DC(500V.AC)

Part number	Cn	Φ D	L(mm)	ESR(mΩ)	ESL(nH)	Dv/dt((V/μs)	Lpk(A)	Irms(70 °C 100KHz)	Qn(kvAR)	Weight(g)
GX-1200-0.1-1	0.1	35	44	3	15	1500	150	30	18.0	85
GX-1200-0.15-1	0.15	42	44	3	15	1500	225	35	21.0	109
GX-1200-0.22-1	0.22	32	32	2.9	10	1500	330	30	18.0	63
GX-1200-0.22-2	0.22	50	44	2.9	15	1500	330	45	27.0	142
GX-1200-0.3-1	0.3	37	32	2.8	10	1500	450	33	19.8	75
GX-1200-0.3-2	0.3	58	44	2.8	15	1500	450	55	33.0	181
GX-1200-0.47-1	0.47	45	32	2.7	10	1500	705	40	24.0	96
GX-1200-0.47-2	0.47	39	32	2.7	10	1500	705	33	19.8	80
GX-1200-0.5-1	0.5	46	32	2.6	10	1500	750	40	24.0	99
GX-1200-0.5-2	0.5	40	32	2.6	10	1500	750	35	21.0	82
GX-1200-0.6-1	0.6	50	32	2.6	10	1500	900	45	27.0	112
GX-1200-0.6-2	0.6	44	32	2.6	10	1500	900	40	24.0	93
GX-1200-0.68-1	0.68	46	32	2.6	10	1500	1020	40	24.0	99
GX-1200-0.7-1	0.7	54	32	2.5	10	1500	1050	50	30.0	125
GX-1200-0.7-2	0.7	46	32	2.5	10	1500	1050	40	24.0	99
GX-1200-0.75-1	0.75	56	32	2.5	10	1500	1125	50	30.0	132
GX-1200-0.8-1	0.8	58	32	2.4	10	1500	1200	50	30.0	140
GX-1200-0.9-1	0.9	61	32	2.4	10	1500	1350	55	33.0	152
GX-1200-1-1	1	64	32	2.3	10	1000	1000	52	31.2	164
GX-1200-1-2	1	55	32	2.3	10	1000	1000	48	28.8	129
GX-1200-1-3	1	43	40	2.3	10	1000	1000	38	22.8	105
GX-1200-1-4	1	35	40	2.3	10	1000	1000	30	18.0	80
GX-1200-1.1-1	1.1	45	40	2.3	10	1000	1100	40	24.0	113
GX-1200-1.4-1	1.4	65	32	2.2	10	1000	1400	60	36.0	168
GX-1200-1.5-1	1.5	78	32	2	10	1000	1500	70	42.0	229
GX-1200-1.5-2	1.5	52	40	2.2	10	1000	1500	45	27.0	140
GX-1200-1.5-3	1.5	43	40	2.2	10	1000	1500	38	22.8	105
GX-1200-1.5-4	1.5	45	47	2.2	10	1000	1500	40	24.0	127
GX-1200-2-1	2	76	32	2	10	800	1600	70	42.0	219
GX-1200-2-2	2	59	40	2.1	10	800	1600	55	33.0	172
GX-1200-2-3	2	48	40	2.1	10	800	1600	43	30.0	124
GX-1200-2.2-1	2.2	61	40	2.1	10	800	1760	55	34.8	182
GX-1200-2.5-1	2.5	58	47	2.1	10	800	2000	50	27.0	191
GX-1200-3-1	3	63	47	2	10	800	2400	58	28.2	220
GX-1200-3-2	3	51	60	2	10	800	2400	45	30.0	189
GX-1200-3-3	3	52	47	2	10	800	2400	47	30.0	160
GX-1200-3.3-3	3.3	54	60	2	10	800	2640	50	30.0	209
GX-1200-3.5-1	3.5	56	60	2	10	800	2800	50	30.0	222
GX-1200-4-1	4	81	40	1.8	10	500	2000	73	43.8	298
GX-1200-4-2	4	61	60	1.9	10	500	2000	48	28.8	258
GX-1200-4.7-1	4.7	64	60	1.9	10	500	2350	50	30.0	281
GX-1200-5-1	5	81	47	1.9	10	500	2500	73	43.8	345
GX-1200-5-2	5	66	60	1.9	10	500	2500	60	36.0	297
GX-1200-5-3	5	55	60	1.9	10	500	2500	50	30.0	215
GX-1200-6-1	6	88	47	1.7	10	500	3000	82	49.2	401
GX-1200-6-2	6	72	60	1.8	10	500	3000	65	39.0	347
GX-1200-6-3	6	60	60	1.8	10	500	3000	45	27.0	250
GX-1200-8-1	8	83	47	1.7	10	500	4000	75	45.0	360
GX-1200-8-2	8	83	60	1.8	10	500	4000	70	42.0	52
GX-1200-8-3	8	68	60	1.8	10	500	4000	62	37.2	313

# Metalized film high voltage resonance capacitor

VTCO

## Resonance Capacitor SCR

Un/1600V.DC(600V.AC)

Part number	Cn	Φ D	L(mm)	ESR(mΩ)	ESL(nH)	Dv/dt((V/μs)	Lpk(A)	Irms(70 °C 100KHz)	Qn(kvAR)	Weight(g)
GX-1600-0.1-1	0.1	35	44	3	15	1500	150	30	18.0	85
GX-1600-0.15-1	0.15	42	44	3	15	1500	225	35	21.0	109
GX-1600-0.22-1	0.22	32	32	2.9	10	1500	330	30	18.0	63
GX-1600-0.22-2	0.22	50	44	2.9	15	1500	330	45	27.0	142
GX-1600-0.3-1	0.3	37	32	2.8	10	1500	450	33	19.8	75
GX-1600-0.3-2	0.3	58	44	2.8	15	1500	450	55	33.0	181
GX-1600-0.47-1	0.47	45	32	2.7	10	1500	705	40	24.0	96
GX-1600-0.47-2	0.47	39	32	2.7	10	1500	705	33	19.8	80
GX-1600-0.5-1	0.5	46	32	2.6	10	1500	750	40	24.0	99
GX-1600-0.5-2	0.5	40	32	2.6	10	1500	750	35	21.0	82
GX-1600-0.6-1	0.6	50	32	2.6	10	1500	900	45	27.0	112
GX-1600-0.6-2	0.6	44	32	2.6	10	1500	900	40	24.0	93
GX-1600-0.68-1	0.68	46	32	2.6	10	1500	1020	40	24.0	99
GX-1600-0.7-1	0.7	54	32	2.5	10	1500	1050	50	30.0	125
GX-1600-0.7-2	0.7	46	32	2.5	10	1500	1050	40	24.0	99
GX-1600-.075-1	0.75	56	32	2.5	10	1500	1125	50	30.0	132
GX-1600-0.8-1	0.8	58	32	2.4	10	1500	1200	50	30.0	140
GX-1600-0.9-1	0.9	61	32	2.4	10	1500	1350	55	33.0	152
GX-1600-1-1	1	64	32	2.3	10	1000	1000	52	31.2	164
GX-1600-1-2	1	55	32	2.3	10	1000	1000	48	28.8	129
GX-1600-1-3	1	43	40	2.3	10	1000	1000	38	22.8	105
GX-1600-1-4	1	35	40	2.3	10	1000	1000	30	18.0	80
GX-1600-1.1-1	1.1	45	40	2.3	10	1000	1100	40	24.0	113
GX-1600-1.4-1	1.4	65	32	2.2	10	1000	1400	60	36.0	168
GX-1600-1.5-1	1.5	78	32	2	10	1000	1500	70	42.0	229
GX-1600-1.5-2	1.5	52	40	2.2	10	1000	1500	45	27.0	140
GX-1600-1.5-3	1.5	43	40	2.2	10	1000	1500	38	22.8	105
GX-1600-1.5-4	1.5	45	47	2.2	10	1000	1500	40	24.0	127
GX-1600-2-1	2	76	32	2	10	800	1600	70	42.0	219
GX-1600-2-2	2	59	40	2.1	10	800	1600	55	33.0	172
GX-1600-2-3	2	48	40	2.1	10	800	1600	43	30.0	124
GX-1600-2.2-1	2.2	61	40	2.1	10	800	1760	55	34.8	182
GX-1600-2.5-1	2.5	58	47	2.1	10	800	2000	50	27.0	191
GX-1600-3-1	3	63	47	2	10	800	2400	58	28.2	220
GX-1600-3-2	3	51	60	2	10	800	2400	45	30.0	189
GX-1600-3-3	3	52	47	2	10	800	2400	47	30.0	160
GX-1600-3.3-1	3.3	54	60	2	10	800	2640	50	30.0	209
GX-1600-3.5-1	3.5	56	60	2	10	800	2800	50	30.0	222
GX-1600-4-1	4	81	40	1.8	10	500	2000	73	43.8	298
GX-1600-4-2	4	61	60	1.9	10	500	2000	48	28.8	258
GX-1600-4.7-1	4.7	64	60	1.9	10	500	2350	50	30.0	281
GX-1600-5-1	5	81	47	1.9	10	500	2500	73	43.8	345
GX-1600-5-2	5	66	60	1.9	10	500	2500	60	36.0	297
GX-1600-5-3	5	55	60	1.9	10	500	2500	50	30.0	215
GX-1600-6-1	6	88	47	1.7	10	500	3000	82	49.2	401
GX-1600-6-2	6	72	60	1.8	10	500	3000	65	39.0	347
GX-1600-6-3	6	60	60	1.8	10	500	3000	45	27.0	250
GX-1600-8-1	8	83	47	1.7	10	500	4000	75	45.0	360
GX-1600-8-2	8	83	60	1.8	10	500	4000	70	42.0	452
GX-1600-8-3	8	68	60	1.8	10	500	4000	62	37.2	313

## Rresonance Capacitoer SCR

Un/2000V.DC(750V.AC)

Part number	Cn	Φ D	L(mm)	ESR(mΩ)	ESL(nH)	Dv/dt((V/μs)	Lpk(A)	Irms(70 °C 100KHz)	Qn(kvAR)	Weight(g)
GX-2000-0.1-1	0.1	35	44	3	15	1500	150	30	22.5	85
GX-2000-0.15-1	0.15	42	44	3	15	1500	225	35	26.3	109
GX-2000-0.22-1	0.22	32	32	2.9	10	1500	330	27	20.3	63
GX-2000-0.22-2	0.22	50	44	2.9	15	1500	330	43	32.3	142
GX-2000-0.3-1	0.3	37	32	2.8	10	1500	450	30	22.5	75
GX-2000-0.3-2	0.3	58	44	2.8	15	1500	450	50	37.5	181
GX-2000-0.47-1	0.47	45	32	2.7	10	1500	705	40	30.0	96
GX-2000-0.47-2	0.47	39	32	2.7	10	1500	705	33	24.8	80
GX-2000-0.5-1	0.5	46	32	2.6	10	1500	750	40	30.0	99
GX-2000-0.5-2	0.5	40	32	2.6	10	1500	750	36	27.0	82
GX-2000-0.6-1	0.6	50	32	2.6	10	1500	900	46	34.5	112
GX-2000-0.6-2	0.6	44	32	2.6	10	1500	900	38	28.5	93
GX-2000-0.68-1	0.68	46	32	2.6	10	1500	1020	40	30.0	99
GX-2000-0.7-1	0.7	54	32	2.5	10	1500	1050	48	36.0	125
GX-2000-0.7-2	0.7	46	32	2.5	10	1500	1050	40	30.0	99
GX-2000-0.75-1	0.75	56	32	2.5	10	1500	1125	50	37.5	132
GX-1200-0.8-1	0.8	58	32	2.4	10	1500	1200	52	39.0	140
GX-1200-0.9-0.9	0.9	61	32	2.4	10	1500	1350	55	41.3	152
GX-2000-1-2	1	64	32	2.3	10	1000	1000	57	42.8	164
GX-2000-1-2	1	55	32	2.3	10	1000	1000	50	37.5	129
GX-2000-1-3	1	43	40	2.3	10	1000	1000	38	28.5	105
GX-2000-1.1-1	1.1	45	40	2.3	10	1000	1100	40	30.0	113
GX-2000-1.4-2	1.4	65	32	2.3	10	1000	1400	58	43.5	168
GX-2000-1.5-1	1.5	78	32	2	10	1000	1500	40	30.0	127
GX-2000-1.5-2	1.5	52	40	2.2	10	1000	1500	45	33.8	140
GX-2000-1.5-2	1.5	45	47	2.2	10	1000	1500	40	30.0	127
GX-2000-2-1	2	76	32	2.1	10	800	1600	65	48.8	219
GX-2000-2-2	2	59	40	2.1	10	800	1600	52	39.0	172
GX-2000-2.2-1	2.2	61	40	2.1	10	800	1760	54	40.5	182
GX-2000-2.5-1	2.5	58	47	2.1	10	800	2000	45	33.8	101
GX-2000-3-1	3	63	47	2	10	800	2400	55	41.3	220
GX-2000-3-2	3	51	60	2	10	800	2400	45	33.8	189
GX-2000-3.3-1	3.3	54	60	2	10	800	2640	47	35.3	209
GX-2000-3.5-1	3.5	56	60	2	10	800	2800	48	36.0	222
GX-2000-4-1	4	81	40	1.8	10	500	2000	73	54.8	298
GX-2000-4-2	4	61	60	1.9	10	500	2000	54	40.5	258
GX-2000-4.7-1	4.7	64	60	1.9	10	500	2350	57	42.8	281
GX-2000-5-1-	5	66	60	1.8	10	500	2500	60	45.0	297
GX-2000-6-1	6	88	47	1.7	10	500	3000	82	61.5	401
GX-2000-6-2	6	72	60	1.8	10	500	3000	65	48.8	347
GX-2000-8-1	8	83	60	1.8	10	500	4000	72	54	452

## Metalized film high voltage resonance capacitor

VTCO

Un/3000V.DC(1200V.AC)

Part number	Cn	Φ D	L(mm)	ESR(mΩ)	ESL(nH)	Dv/dt((V/μs)	Lpk(A)	Irms(70 °C 100KHz)	Qn(kvAR)	Weight(g)
GX-3000-0.1-1	0.1	35	44	3	15	1500	150	30	34.2	85
GX-3000-0.15-1	0.15	42	44	3	15	1500	225	37	42.2	109
GX-3000-0.22-1	0.22	50	44	2.9	15	1500	330	45	51.3	142
GX-3000-0.3-1	0.3	58	44	2.8	15	1500	450	53	60.4	181
GX-3000-0.3-2	0.3	32	44	2.8	15	1500	450	25	28.5	76
GX-3000-0.47-1	0.47	40	44	2.7	15	1500	705	30	34.2	102
GX-3000-0.5-1	0.5	68	44	2.7	15	1500	750	60	68.4	238
GX-3000-0.5-2	0.5	40	44	2.7	15	1500	750	32	36.5	102
GX-3000-0.68-1	0.68	80	44	2.5	15	1500	1020	72	82.1	317
GX-3000-0.68-2	0.68	46	44	2.6	15	1500	1020	37	42.2	125
GX-3000-0.75-1	0.75	83	44	2.4	15	1500	1125	73	83.2	339
GX-3000-0.75-2	0.75	48	44	2.6	15	1500	1125	40	45.6	133
GX-3000-0.8-1	0.8	86	44	2.3	15	1500	1200	77	87.8	362
GX-3000-0.8-2	0.8	50	44	2.5	15	1500	1200	42	47.9	142
GX-3000-0.8-3	0.8	45	44	2.5	15	1500	1200	37	42.2	121
GX-3000-0.9-1	0.9	90	44	2.2	15	1500	1350	82	93.5	394
GX-3000-0.9-2	0.9	53	44	2.4	15	1500	1350	45	51.3	156
GX-3000-0.9-3	0.9	48	44	2.4	15	1500	1350	40	45.6	133
GX-3000-1-1	1	95	44	2.1	15	1000	1000	85	96.9	435
GX-3000-1-2	1	56	44	2.3	15	1000	1000	48	54.7	171
GX-3000-1-3	1	50	44	2.3	15	1000	1000	42	47.9	142
GX-3000-1.2-1	1.2	60	44	2.3	15	1000	1200	52	59.3	192
GX-3000-1.2-2	1.2	55	44	2.3	15	1000	1200	47	53.6	166
GX-3000-1.5-1	1.5	67	44	2.2	15	1000	1500	61	69.5	232
GX-3000-1.5-2	1.5	60	44	2.2	15	1000	1500	52	59.3	192
GX-3000-1.8-1	1.8	73	44	2	15	1000	1800	65	74.1	269
GX-3000-1.8-2	1.8	66	44	2	15	1000	1800	59	67.3	226
GX-3000-2-1	2	77	44	1.9	15	800	1600	70	79.8	296
GX-3000-2-2	2	69	44	2	15	800	1600	62	70.7	244
GX-3000-2.2-1	2.2	80	44	1.8	15	800	1760	72	82.1	317
GX-3000-2.2-2	2.2	73	44	1.9	15	800	1760	65	74.1	269
GX-3000-2.5-1	2.5	85	44	1.7	15	800	2000	78	88.9	354
GX-3000-2.5-2	2.5	77	44	1.8	15	800	2000	70	79.8	296
GX-3000-3-1	3	93	44	1.7	15	800	2400	83	94.6	418
GX-3000-3-2	3	84	44	1.7	15	800	2400	78	88.9	347
GX-3000-3.3-1	3.3	88	44	1.7	15	800	2640	82	93.5	378
GX-3000-4-1	4	97	44	1.6	15	800	2000	88	100.3	452

Un/4000V.DC(1600V.AC)

Part number	Cn	Φ D	L(mm)	ESR(mΩ)	ESL(nH)	Dv/dt((V/μs)	Lpk(A)	Irms(70 °C 100KHz)	Qn(kvAR)	Weight(g)
GX-4000-0.1-1	0.1	35	44	3	15	1500	150	30	34.2	85
GX-4000-0.15-1	0.15	42	44	3	15	1500	225	37	42.2	109
GX-4000-0.22-1	0.22	50	44	2.9	15	1500	330	45	51.3	142
GX-4000-0.3-1	0.3	58	44	2.8	15	1500	450	53	60.4	181
GX-4000-0.3-2	0.3	32	44	2.8	15	1500	450	25	28.5	76
GX-4000-0.47-1	0.47	40	44	2.7	15	1500	705	30	34.2	102
GX-4000-0.5-1	0.5	68	44	2.7	15	1500	750	60	68.4	238
GX-4000-0.5-2	0.5	40	44	2.7	15	1500	750	32	36.5	102
GX-4000-0.68-1	0.68	80	44	2.5	15	1500	1020	72	82.1	317
GX-4000-0.68-2	0.68	46	44	2.6	15	1500	1020	37	42.2	125

sc-leadertech.net



## Metalized film high voltage resonance capacitor

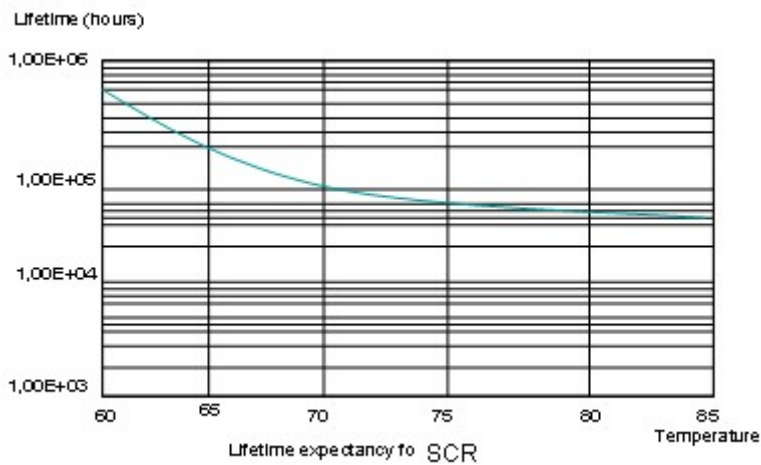
**VTCO**

Un/4000V.DC(1600V.AC)

Part number	Cn	Φ D	L(mm)	ESR(mΩ)	ESL(nH)	Dv/dt((V/μs)	Lpk(A)	Irms(70 °C 100KHz )	Qn(kvAR)	Weight(g)
GX-4000-0.75-1	0.75	83	44	2.4	15	1500	1125	73	83.2	339
GX-4000-0.75-2	0.75	48	44	2.6	15	1500	1125	40	45.6	133
GX-4000-0.8-1	0.8	86	44	2.3	15	1500	1200	77	87.8	362
GX-4000-0.8-2	0.8	50	44	2.5	15	1500	1200	42	47.9	142
GX-4000-0.9-1	0.9	90	44	2.2	15	1500	1350	82	93.5	394
GX-4000-0.9-2	0.9	53	44	2.4	15	1500	1350	45	51.3	156
GX-4000-1-1	1	56	44	2.3	15	1000	1000	48	54.7	171
GX-4000-1-2	1	50	44	2.3	15	1000	1000	42	47.9	142
GX-4000-1.2-1	1.2	55	44	2.3	15	1000	1200	47	53.6	166
GX-4000-1.5-1	1.5	67	44	2.2	15	1000	1500	61	69.5	232
GX-4000-1.8-1	1.8	73	44	2	15	1000	1800	65	74.1	269
GX-4000-2-1	2	69	44	2	15	800	1600	62	70.7	244
GX-4000-2.2-1	2.2	73	44	1.9	15	800	1760	65	74.1	269
GX-4000-2.5-1	2.5	85	44	1.7	15	800	2000	78	88.9	354
GX-4000-2.5-2	2.5	77	44	1.8	15	800	2000	70	79.8	296
GX-4000-3-1	3	93	44	1.7	15	800	2400	83	94.6	418
GX-4000-3-2	3	84	44	1.7	15	800	2400	78	88.9	347
GX-4000-3.3-1	3.3	88	44	1.7	15	800	2640	82	93.5	378
GX-4000-4-1	4	97	44	1.6	15	800	2000	88	100.3	452

Un/5000V.DC(2000V.AC)

Part number	Cn	Φ D	L(mm)	ESR(mΩ)	ESL(nH)	Dv/dt((V/μs)	Lpk(A)	Irms(70 °C 100KHz)	Qn(kvA R)	Weight(g)
GX-5000-0.05-1	0.06	41	57	2.3	20	3000	180	30	45.0	128
GX-5000-0.08-1	0.08	47	57	2.3	20	3000	240	35	52.5	158
GX-5000-0.12-1	0.12	57	57	2.2	20	3000	360	45	67.5	219
GX-5000-0.14-1	0.14	62	57	2.2	20	3000	420	50	75.0	254
GX-5000-0.15-1	0.15	64	57	2.1	20	3000	450	53	79.5	268
GX-5000-0.18-1	0.18	70	57	2	20	3000	540	58	87.0	315
GX-5000-0.2-1	0.2	74	57	1.9	20	3000	600	60	90.0	349
GX-5000-0.22-1	0.22	77	57	1.7	20	3000	660	65	97.5	375
GX-5000-0.3-1	0.3	89	57	1.5	20	3000	900	70	105.0	491



[sc-leadertech.net](http://sc-leadertech.net)

## Aluminum Capacitor Resonance Capacitor SCHM/SCM

Metallized polypropylene dielectric with non-inductive construction and special metal spray technics, seal with epoxy resin and brass terminals.

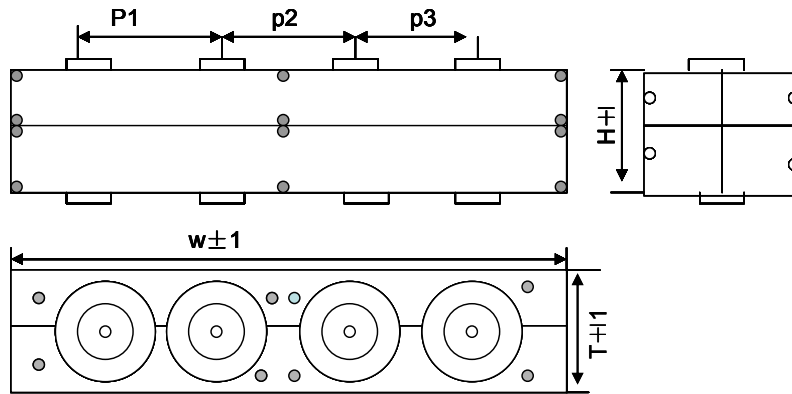
High stability, Low dissipation & inductance  
Good self-healing properly , Good frequency property, Withstand heavy current , Water cooling construction

Widely used in resonance in middle frequency induction heating machine

SCM



### Outline circuit

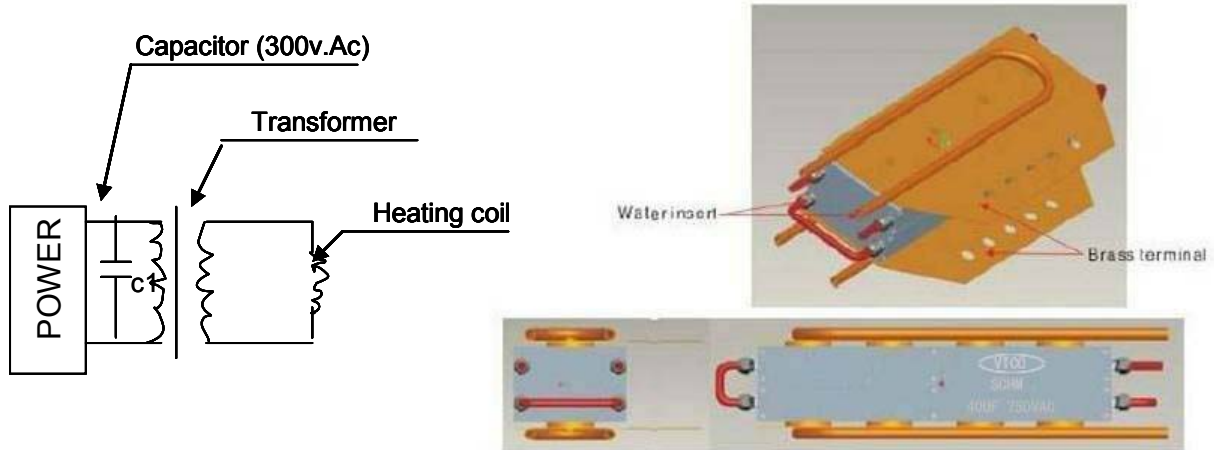


### Specifications

Model	VKPH-RS	VKP-RS
Operating temp rang	-40°C~8+5°C	--40°C~8+5°C
Capacitance	20~100μF	80~400μF
Capacitance tolerance	±10% (k)	+10%(K)
Rated voltage	700V.AC	300V.AC
Frequency range	≤50KHz	≤50KHz
Reactive power	1000~2000Kvar	1000~2000Kvar
Effective current	500A~3000A	1000A~6000A
Dissipation factor	tgδ≤0.001 (at 10KHz)	
Insulation resistance	CxRs≥5000S(at 20°C 100V.DC 60S)	
Withstand strike current ability	Dv/dt>1000v/μs	
Flame retardation	UL94V-0	
Stray inductance	≤20nH	

**Aluminum Capacitor  
Resonance Capacitor SCHM/SCM**

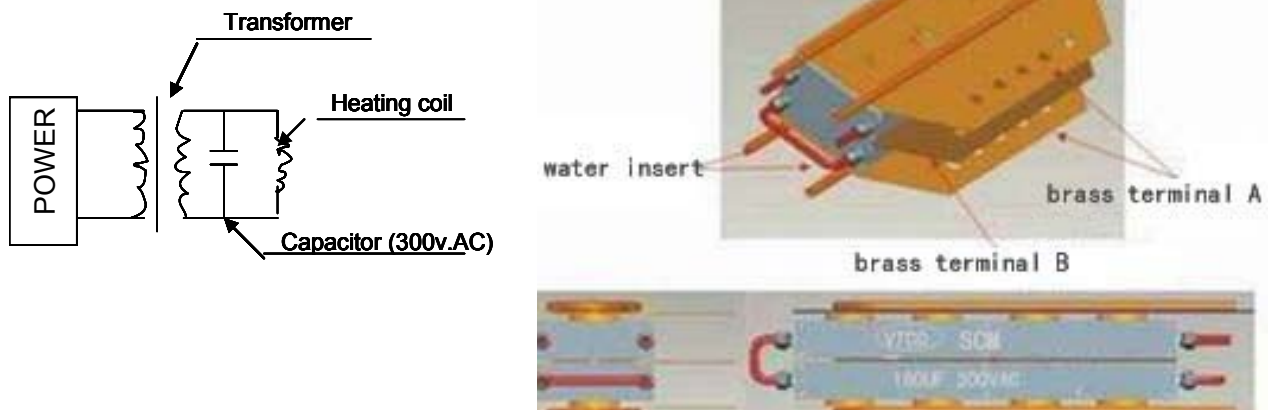
SCHM



750VDC

Part number	Cn	W(mm)	H(mm)	T(mm)	P1	P2	ESR(mΩ)	ESL(nH)	Dv/dt(v/us)	IPK(A)	Irms(A)
BR-750-40-1	40μF	340	82	110	78	88	0.03	10	1000	40000	2400
BR-750-50-1	50μF	330	82	120	88	98	0.03	10	1000	50000	3000

SCM



300VDC

Part number	Cn	W(mm)	H(mm)	T(mm)	P1	P2	ESR(mΩ)	ESL(nH)	Dv/dt(v/us)	IPK(A)	Irms(A)
BR-300-160-1	160μF	340	82	110	78	88	0.02	5	500	80000	5000
BR-300-160-1	50μF	330	82	120	88	98	0.02	5	500	100000	6000

**High Frequency Filter Capacitor SCL(Small)**

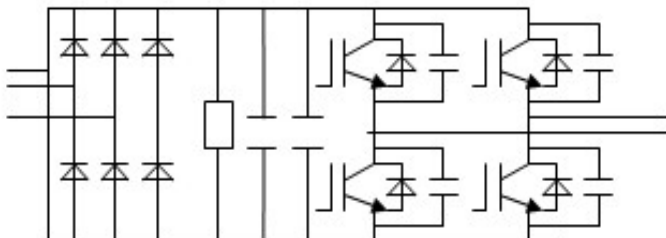
Metallized polypropylene dielectric with non-inductive construction and special metal spray technics , plastic case or seal with epoxy resin and brass fetch out by many ways. Eg.Braass nut bolt terminal.

Good frequency property, Withstand heavy current, Good self-healing properly , Low dissipation & inductance

Widely used in UPS, electroplating power, welding machine, invertible power and also induction heater for high frequency filter.



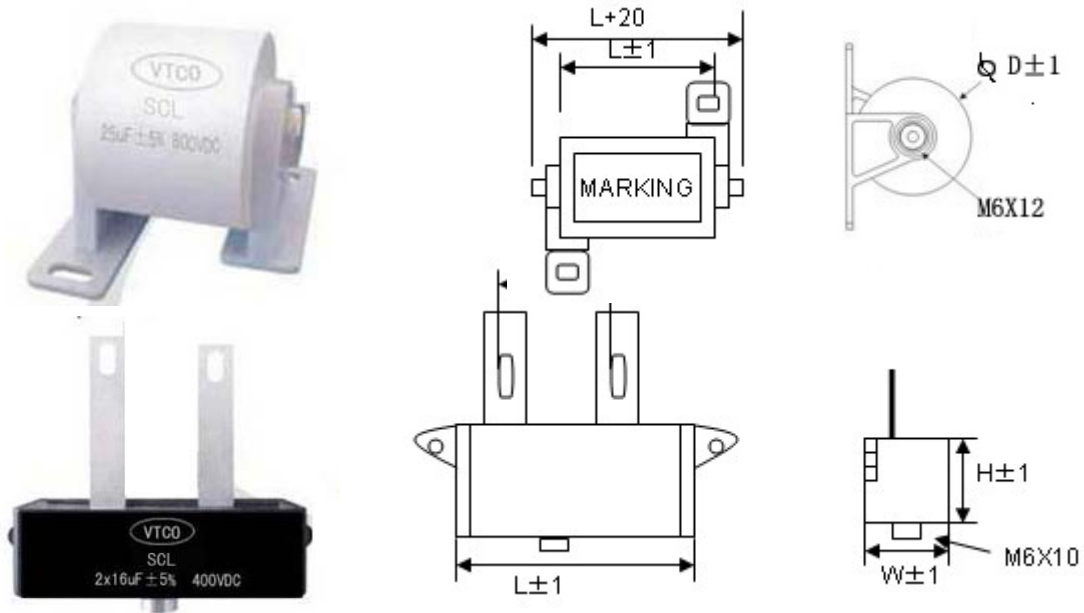
Typical circuit



**Specifications**

Operating temp rang	-40℃ ~ +85%/+105℃
Capacitance(Qn)	10~100µF
Capacitance tolerance	±5% (J)、 ±10% (k)
Rated voltage	400~3000V. AC
Withstand voltage	1.5Un/60S
Dissipation factor	tgδ ≤ 0.002 (at 1KHz)
Insulation resistance	CxRs ≥ 5000S (at 20℃ 100V.DC 60S)
Withstand strike current ability	Dv/dt > 50v/µs
Flame retardation	UL94V-0
Stray inductance	≤ 30nH
Effective current	30~80A

High Frequency Filter Capacitor SCL (Small)



Un/400V.DC

Part number	Cn	φ D	L(mm)	ESL(mn)	ESR(mΩ)	Dv/dt(v/μS)	Ipk(A)	Irms(70°C 100KHz)	Weight(g)
LO-400-5-1	5	21	37	4.2	20	50	250	10	17
LO-400-10-1	10	25	37	4.1	20	50	500	12	24
LO-400-20-1	20	42	40	3.2	15	50	1000	32	102
LO-400-20-2	20	35	40	3.2	15	50	1000	25	80
LO-400-30-1	30	46	37	3.1	15	60	1800	37	110
LO-400-30-2	30	50	40	3	15	40	1200	42	132
LO-400-40-1	40	45	40	3	15	40	1600	36	113
LO-400-50-1	50	48.5	40	3	15	40	2000	40	126
LO-400-60-1	60	53	40	3	15	40	2400	46	145
LO-400-70-1	70	57	40	3	15	40	2800	51	163
LO-400-80-1	80	61.5	40	2.9	15	30	2400	55	184
LO-400-100-1	100	57..5	50	2.8	15	50	5000	51	199

Un/600V.DC

Part number	Cn	φ D	L(mm)	ESL(mn)	ESR(mΩ)	Dv/dt(v/μS)	Ipk(A)	Irms(70°C 100KHz)	Weight(g)
LO-600-5-1	5	24	37	4.2	20	80	400	12	22
LO-600-10-1	10	29.5	40	4.1	20	60	600	15	36
LO-600-20-1	20	49	40	3.3	15	60	1200	41	128
LO-600-30-1	30	40.5	50	3.2	15	05	1500	31	114
LO-600-30-2	30	47	50	3.2	15	50	1500	38	143
LO-600-40-1	40	46	50	3	15	50	2000	37	138
LO-600-50-1	50	52	50	3	15	50	2500	42	168
LO-600-60-1	60	55.5	50	3	15	50	3000	45	187
LO-600-70-1	70	60	50	3	15	50	3500	52	214
LO-600-80-1	80	57	60	3	15	40	3200	48	229
LO-600-100-1	100	63.5	60	2.9	15	40	4000	54	277

## Metalized film coupling/filter capacitor

VTCO

## High Frequency Filter Capacitor SCL (Small)



Un/800V.DC

Part number	Cn	ϕ D	L(mm)	ESL(mn)	ESR(mΩ)	Dv/dt(v/μS)	Ipk(A)	Irms(70°C 100KHz)	Weight(g)
LO-800-5-1	5	28	37	4.2	20	80	400	15	30
LO-800-5-2	5	41	27	3.7	15	100	500	35	76
LO-8000-5-3	5	28.5	37	4.1	20	80	400	14	31
LO-800-5-4	5	26	40	3.2	20	60	300	12	28
LO-800-10-1	10	38	37	3.2	15	80	800	30	85
LO-800-10-1	10	34.5	40	3.3	15	60	600	27	79
LO-800-10-2	10	43	40	3.1	15	80	800	35	105
LO-800-10-3	10	46	37	3	15	80	800	38	110
LO-800-20-1-	20	52.5	37	2.8	15	80	1600	45	134
LO-800-20-2	20	45	40	2.9	15	60	1200	39	113
LO-800-20-3	20	40	50	3.1	15	50	1000	35	112
LO-800-20-4	20	53	40	3	15	80	1600	39	145
LO-800-20-5	20	60	40	2.9	15	80	1600	53	177
LO-800-30-1	30	56	40	2.7	15	80	2400	49	158
LO-800-30-2	30	48.5	50	2.6	15	60	1800	41	150
LO-800-30-3	30	43	60	2.8	15	50	1500	35	143
LO-800-40-1	40	65	40	2.5	15	80	3200	60	202
LO-800-40-2	40	55	50	2.7	15	60	2400	50	184
LO-800-40-3	40	49	60	3.2	15	60	2400	42	177
LO-800-50-1	50	72.5	40	2.1	15	80	4000	65	245
LO-800-50-1	50	61	50	2.4	15	60	3000	54	220
LO-800-50-2	50	54.5	60	2.5	15	60	3000	46	212
LO-800-50-3	50	70	60	2.4	15	60	3000	63	330
LO-800-60-1	60	66	50	2.3	15	60	3600	58	252
LO-800-60-2	60	59.5	60	2.4	15	60	3600	58	247
LO-800-68-1	68	63	60	2.3	15	60	4080	53	273
LO-800-70-1	70	71	50	2	15	60	4200	63	287
LO-800-70-2	70	63	60	2.2	15	60	4200	55	273
LO-800-80-1	80	77	50	2.1	15	60	4800	68	333
LO-800-80-2	80	67	60	2.5	15	60	4800	58	305
LO-800-100-1	100	85.5	50	1.8	15	60	6000	75	403
LO-800-100-2	100	77.5	60	2.2	15	50	5000	68	398

**Metalized film coupling/filter capacitor** **VTCO**

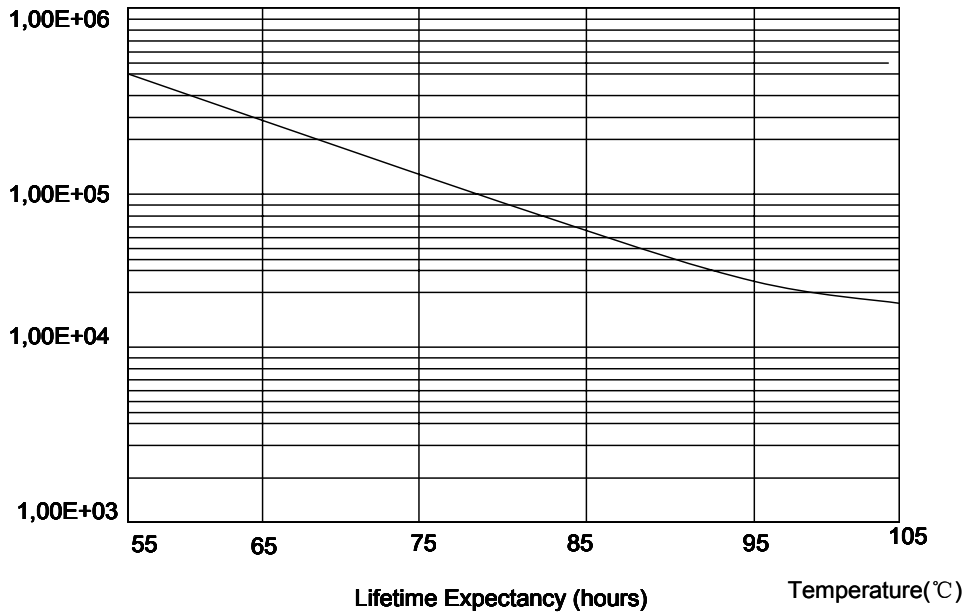
High Frequency Filter Capacitor SCL (Small)

Un/1200V.DC

Part number	Cn	φ D	L(mm)	ESL(mn)	ESR(mΩ)	Dv/dt(v/μS)	Ipk(A)	Irms(70°C 100KHz)	Weight(g)
LO-1200-5-1	5	33	40	3.6	15	60	300	25	74
LO-1200-10-1	10	43	40	3.4	15	60	600	35	105
LO-1200-20-1	20	52	50	3.1	15	60	1200	45	168
LO-1200-20-2	20	66	40	3	15	60	1200	60	208
LO-1200-30-1	30	62.5	50	3.1	15	60	1800	67	229
LO-1200-40-1	40	7.3	50	2.7	15	60	2400	66	302
LO-1200-40-2	40	63.5	60	2.9	15	50	2000	57	277
LO-1200-50-1	50	70.5	60	2.6	15	50	2500	64	334
LO-1200-60-1	60	77	60	2.2	15	50	3000	70	393
LO-1200-70-1-	70	83	60	1.9	15	50	3500	75	452
LO-1200-80-1	80	89.5	60	1.6	15	50	4000	75	520

Un/1400V.DC

Part number	Cn	φ D	L(mm)	ESL(mn)	ESR(mΩ)	Dv/dt(v/μS)	Ipk(A)	Irms(70°C 100KHz)	Weight(g)
LO-1400-5-1	5	33	60	2.2	10	100	500	30	114
LO-1400-10-1	10	50	60	2	10	100	1000	45	183
LO-1400-20-1	20	70	60	1.6	10	100	2000	60	330
LO-1400-25-1	25	78	60	1.8	10	100	2500	70	403
LO-1400-30-1	30	86	60	1.7	10	100	3000	80	483





**Metalized film filter capacitor**

Aluminum Case Capacitor

DC-Link Capacitor SCLL (Large)

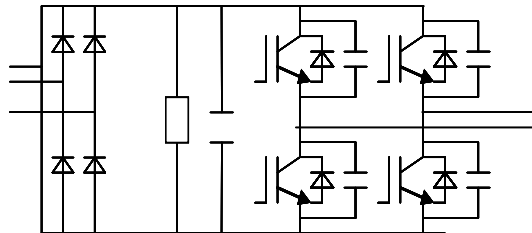
Metallized polypropylene dielectric with non-inductive construction and special metal spray technics , plastic or aluminum case , seal with epoxy resin ,brass bolt terminal or brass nut terminal.



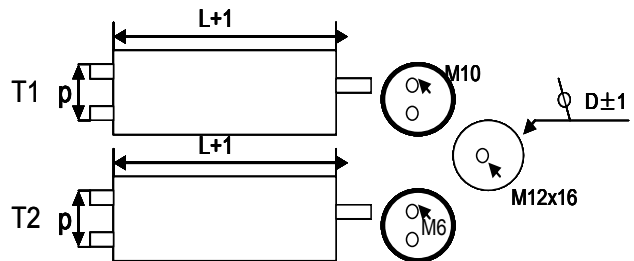
High stability, High ripple current, Withstand high voltage , withstand much levels of surge voltage ,Very high RMS current ratings, and longer lifetime.

Widely used in UPS, inverter, electroplating power,welding machine inversion power and also induction heater,big switch power supply for high frequency filter and energy storage for welding machine.

Typical circuit



outline drawing



**Specifications**

Operating temp rang	-40°C ~+85%/+105°C
Capacitance(Qn)	10~100μF
Capacitance tolerance	±5%(J)、±10% (k)
Rated voltage	400~3000V. AC
Withstand voltage	1.5Un/60S
Dissipation factor	tgδ ≤ 0.002 (at 1KHz)
Insulation resistance	CxRs ≥ 5000S (at 20°C 100V.DC 60S)
Withstand strike current ability	Dv/dt > 50v/μs
Flame retardation	UL94V-0
Stray inductance	≤ 30nH
Effective current	30~80A



## Metalized film filter capacitor

VTCO

## Un/400V.DC

Part number	Cn	φ D	H(mm)	ESL(mn)	ESL(Nh)	Dv/dt(v/μS)	Ipk(A)	Irms(A)	Weight(g)
LC-400-100-1	100	55	85	2.8	38	10	1000	30	290
LC-400-200-1	200	55	130	2.2	45	5	1000	30	440
LC-400-300-1	300	65	130	1.45	45	5	1500	30	620
LC-400-330-1	330	65	130	1.45	45	5	1650	33	620
LC-400-350-1	350	76	130	1.12	48	5	1750	40	240
LC-400-400-1	400	76	145	0.96	30	6	2400	45	940
LC-400-500-1	500	88	145	1.83	30	6	3000	50	1190
LC-400-600-1	600	88	145	0.83	30	6	3600	65	1190
LC-400-750-1	750	88	210	0.78	28	6	4500	80	1720
LC-400-1000-1	1000	96	210	0.75	28	6	6000	90	2500
LC-400-1500-1	1500	116	210	0.75	28	6	9000	100	.3000

## Un/600V.DC

Part number	Cn	φ D	H(mm)	ESL(mn)	ESL(Nh)	Dv/dt(v/μS)	Ipk(A)	Irms(A)	Weight(g)
LC-600-100-1	100	55	85	4.5	40	10	1000	30	290
LC-600-100-2	100	65	85	2.8	38	25	2500	50	400
LC-600-200-1	200	55	130	4.1	48	25	5000	30	440
LC-600-200-	200	96	85	2.6	36	20	4000	50	880
LC-600-300-1	300	65	130	3.6	45	20	6000	30	620
LC-600-300-1	300	88	145	2.2	40	10	3000	50	1190
LC-600-330-1	330	65	130	3.5	45	5	1650	30	620
LC-600-350-1	350	76	130	3.5	45	5	1750	40	840
LC-600-400-1	400	76	145	3.2	30	6	2400	45	940
LC-600-400-2	400	96	145	1.9	36	10	4000	65	1420
LC-600-500-1	500	88	145	2.1	30	6	3000	50	1190
LC-600-500-1	500	88	210	1.8	28	12	6000	75	1720
LC-600-600-1	600	88	145	1.8	30	8	4800	65	1190
LC-600-600-2	600	96	210	1.68	28	12	7200	90	2050
LC-600-700-1	700	96	130	1.5	28	10	7000	70	1270
LC-600-750-1	750	88	210	1.26	28	8	6000	80	1720
LC-600-750-2	750	116	210	1.22	28	12	9000	100	3000
LC-600-1000-1	1000	96	210	1.12	28	7	7000	90	2050
LC-600-1000-2	1000	116	210	0.75	28	12	12000	100	3770
LC-600-1500-1	1500	116	210	1.08	28	8	12000	100	3000

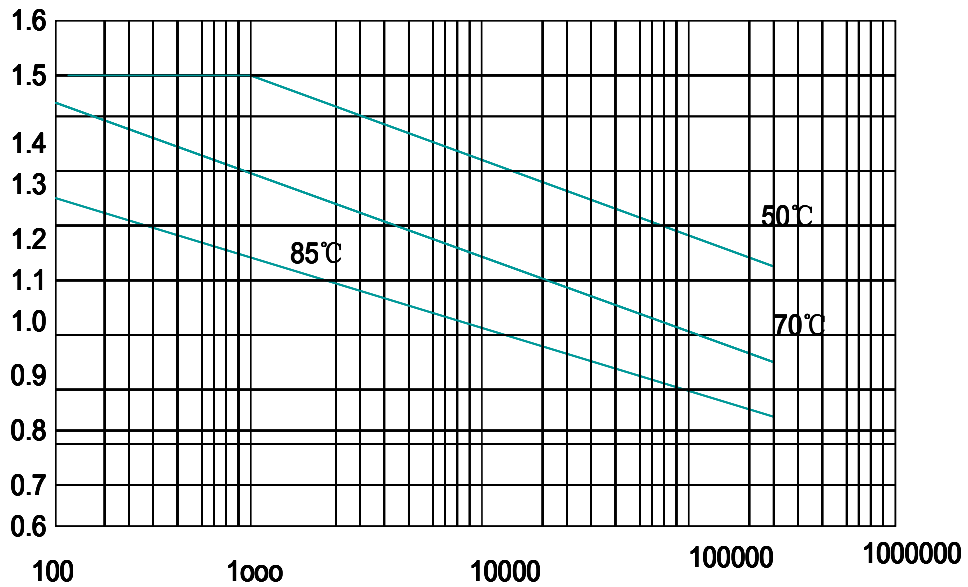
## Un/800V.DC

Part number	Cn	φ D	H(mm)	ESL(mn)	ESL(Nh)	Dv/dt(v/μS)	Ipk(A)	Irms(A)	Weight(g)
LC-800-100-1	100	55	85	4.5	38	10	1000	30	290
LC-800-100-2	100	76	85	2.4	40	25	2500	50	550
LC-800-200-1	200	55	130	4.1	45	5	1000	30	410
LC-800-200-2	200	88	130	1.9	40	18	3600	50	1070
LC-800-250-1	250	65	145	3.8	30	8	2000	30	640
LC-800-250-1	250	88	130	1.8	38	18	4500	70	1070
LC-800-300-1	300	65	130	3.6	30	5	1500	30	620
LC-800-300-2	300	65	145	2.1	30	8	2400	30	690
LC-800-300-3	300	96	130	1.6	38	18	5400	75	1270
LC-800-330-1	330	65	130	3.5	45	5	1650	35	620
LC-800-350-1	350	76	130	3.5	45	5	1750	35	840
LC-800-400-1	400	76	145	1.8	30	8	3200	45	940
LC-800-500-1	500	86	145	1.65	30	8	4000	50	1190
LC-800-500-2	500	116	210	1.3	40	18	9000	100	3000
LC-800-600-1	600	88	145	1.58	30	7	4200	65	1190
LC-800-750-1	750	88	210	1.36	28	8	6000	80	1720
LC-800-800-1	800	88	210	1.25	28	8	6400	80	1720
LC-800-100-1	1000	96	210	0.75	28	8	8000	100	2050
LC-800-1000-1	1000	96	180	1.75	40	6	6000	90	1760
LC-800-1200-1	1200	96	270	0.75	30	6	7200	100	2640
LC-800-1500-1	1500	116	210	0.75	28	8	12000	100	3000

**Metalized film filter capacitor** **VTCO**

Un/1200v.DC

Part number	Cn	ϕ D	H(mm)	ESL(mn)	ESL(Nh)	Dv/dt(v/μS)	Ipk(A)	Irms(A)	Weight(g)
LC-1200-100-1	100	55	145	3.8	28	15	1500	30	490
LC-1200-100-2	100	76	145	2.6	38	20	2000	70	940
LC-1200-180-1	180	65	135	3.5	28	15	2700	30	640
LC-1200-200-1	200	65	145	3.4	28	15	3000	30	690
LC-1200-200-2	200	88	180	1.9	35	20	4000	75	1480
LC-1200-250-1	250	76	145	3.2	28	15	3750	50	940
LC-1200-300-1	300	86	145	3.1	28	15	4500	50	1140
LC-1200-400-1	400	76	210	2.8	26	10	4000	60	1290
LC-1200-500-1	500	88	210	2.5	26	10	500	75	1720
LC-1200-600-1	600	96	210	2.2	26	10	6000	85	2050
LC-1200-750-1	750	116	210	1.9	26	10	7500	100	3000
LC-1200-800-1	800	116	210	1.8	26	10	8000	100	3000
LC-1200-1000-1	1000	116	270	1.45	28	10	10000	100	3770
LC-1200-1200-1	1200	116	270	1.12	28	10	12000	100	3770
LC-1200-1500-1	1500	116	295	0.96	26	10	15000	100	4050



Vw: permanent working or operating DC-voltage



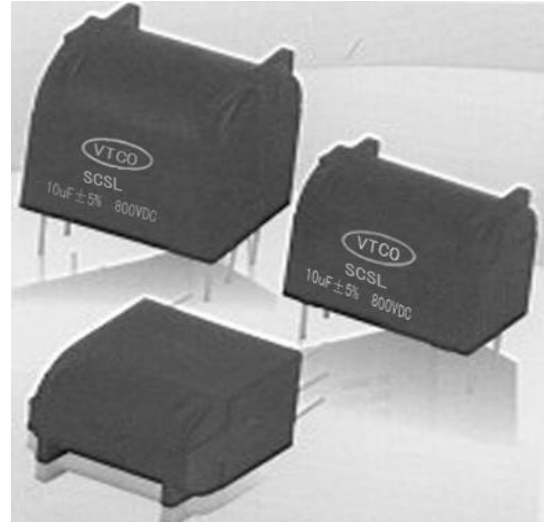
## Metalized film filter capacitor

### High Frequency Filter Capacitor SCLS (large Small)

The products are made of metallized polypropylene film, special metal spray technics, encapsulated in a plastic case seal with epoxy resin , brass pin terminal.

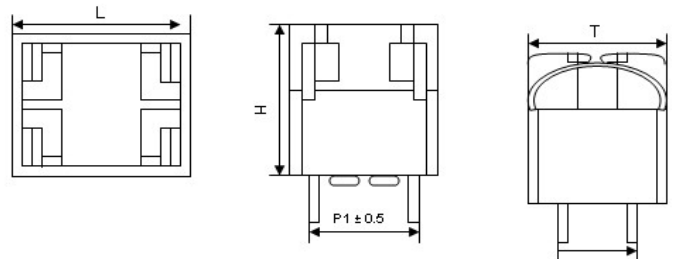
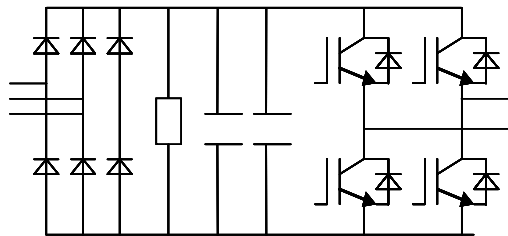
High stability, Good frequency property, small size ,Low dissipation & inductance, Good self-healing property ,

Widely used in UPS, inverter, electroplating power,welding machine, invertible power and also induction heater for high frequency filter.



Typical circuit

Outline drawing



### Specifications

Operating temp rang	-40°C ~ +105°C
Capacitance(Qn)	5 ~ 50μF
Capacitance tolerance	±5%(J)、±10% (k)
Rated voltage	450V.DC 600 V.DC 800 V.DC
Withstand voltage	1.5Un/60S
Dissipation factor	tgδ ≤ 0.002 (at 1KHz)
Insulation resistance	CxRs ≥ 5000S (at 20°C 100V.DC 60S)
Withstand strike current ability	Dv/dt > 50v/μs
Flame retardation	UL94V-0
Stray inductance	≤ 30nH
Effective current	10 ~ 30A

**High Frequency Filter Capacitor SCLS (large Small)**

Un=500V.DC

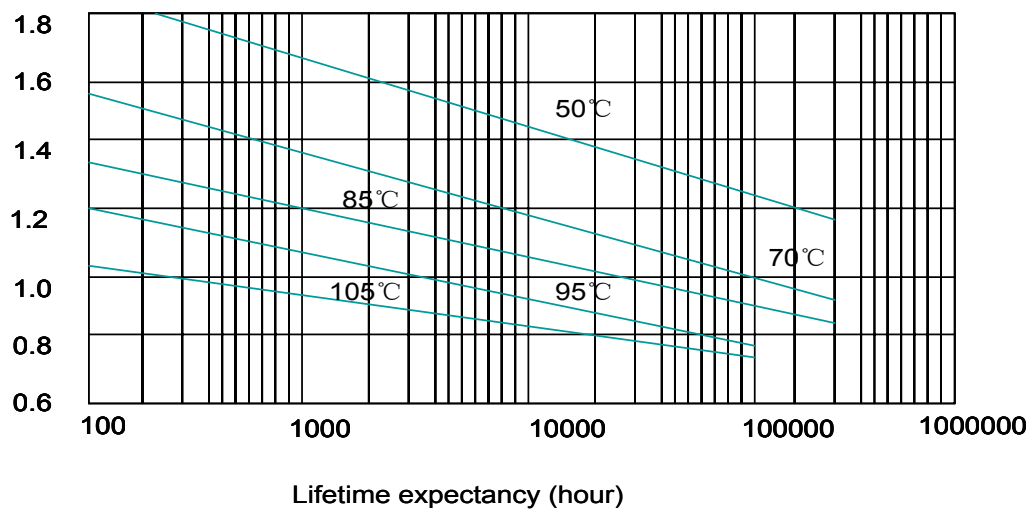
Part number	Cn	L(mm)	T(mm)	H(mm)	P1(mm)	P2(mm)	Dv/dt(v/us)	Irms(A)
LB-500-16-1	16	42.5	23.5	37	37.5	10	30	15
LB-500-28-1	28	42.5	32.5	45	37.5	20	30	16
LB-500-33-1	33	42.5	34.5	50	37.5	20	30	18
LB-500-35-1	35	58	26	38	52.5	10	30	18
LB-500-50-1	50	57.5	30	45	52.5	20	30	20
LB-500-65-1	65	57.5	35	50	52.5	20	30	22
LB-500-75-1	75	57.5	38	54	52.5	20	30	24

Un=700V.DC

Part number	Cn	L(mm)	T(mm)	H(mm)	P1(mm)	P2(mm)	Dv/dt(v/us)	Irms(A)
LB-700-16-1	16	42.5	23.5	37	37.5	10	25	15
LB-700-28-1	28	42.5	32.5	45	37.5	20	25	16
LB-700-33-1	33	42.5	34.5	50	37.5	20	25	18
LB-700-35-1	35	58	26	38	52.5	10	25	18
LB-700-50-1	50	57.5	30	45	52.5	20	25	20
LB-700-65-1	65	57.5	35	50	52.5	20	25	22
LB-700-75-1	75	57.5	38	54	52.5	20	25	24

Un=1000V.DC

Part number	Cn	L(mm)	T(mm)	H(mm)	P1(mm)	P2(mm)	Dv/dt(v/us)	Irms(A)
LB-1000-10-1	10	42.5	23.5	37	37.5	10	40	15
LB-1000-20-1	20	42.5	32.5	45	37.5	20	40	16
LB-1000-22-1	22	42.5	34.5	50	37.5	20	40	18
LB-1000-22-1	22	58	26	38	52.5	10	40	18
LB-1000-31-1	31	57.5	30	45	52.5	20	40	20
LB-1000-40-1	40	57.5	35	50	52.5	20	40	22
LB-1000-50-1	50	57.5	38	54	52.5	20	40	24



Vw: permanent working or operating DC-voltage

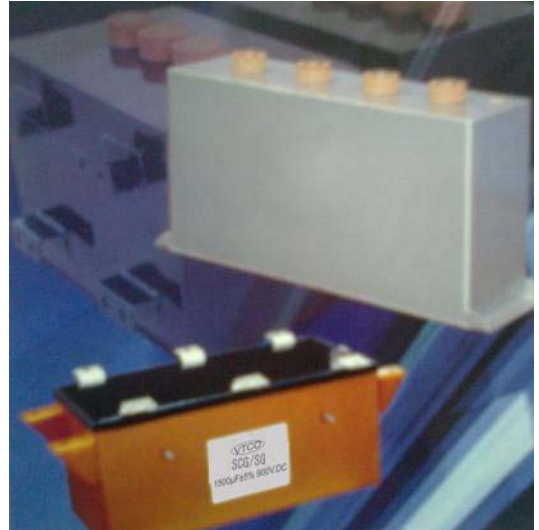


**Metalized film filter/storage capacitor**

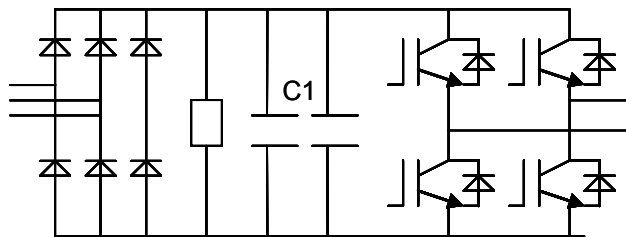
The products are made of metallized polypropylene film, with non-inductive and special metal spray technics, encapsulated in a stainless steel case or aluminum case, seal with epoxy resin , brass bolt terminal or brass nut terminal.

High ripple current, high peak current.

Widely used in UPS, inverter, electroplating power,welding machine, invertible power and also induction heating machine, big switch power supply for filter and energy storage for welding machine.



Typical circuit



Specifications

Operating temp rang	-40℃ ~ +105℃
Capacitance(Qn)	1000 ~ 10000μF
Capacitance tolerance	±5%(J)、 ±10% (k)
Rated voltage	800 ~ 3000 V.DC
Withstand voltage	10.35 ~ 1.5Un/60S
Dissipation factor	tgδ ≤ 0.002 (at 1KHz)
Insulation resistance	CxRs ≥ 5000S (at 20℃ 100V.DC 60S)
Withstand strike current ability	Dv/dt > 10v/μs
Flame retardation	UL94V-0
Stray inductance	≤ 120nH
Effective current	80 ~ 500A

**Metalized film filter/storage capacitor**

**VTCO**

Un=800V.DC

L (mm)	W (mm)	H (mm)	Cn	Weight
340	125	190	3150	12
340	125	240	4725	15
340	125	300	6300	19
340	125	365	7875	23
340	125	430	9450	27
340	125	495	11025	31
340	125	560	12600	37
340	125	185	4850	17
340	125	240	7275	21
340	125	300	9700	26
340	125	365	12125	32
340	125	430	14550	37
340	125	495	16975	43
340	125	560	19400	49
340	240	190	6300	23
340	240	240	9450	29
340	240	300	12600	36

L (mm)	W (mm)	H (mm)	Cn	Weight
400	125	185	3780	14
400	125	240	5670	18
400	125	300	7560	22
400	125	365	9450	27
400	125	430	11340	32
400	125	495	13230	36
400	125	560	15120	41
400	175	185	5820	19
400	175	240	8730	25
400	175	300	11640	31
400	175	365	14550	38
400	175	430	17460	44
400	175	495	20370	51
400	240	190	7560	27
400	240	240	11340	34
400	240	300	15120	42
400	240	365	18900	51

Un=1000V.DC

L (mm)	W (mm)	H (mm)	Cn	Weight
340	125	185	2500	12
340	125	240	3750	15
340	125	300	5000	19
340	125	365	6250	23
340	125	430	7500	27
340	125	495	8750	31
340	125	560	10000	37
340	175	185	3850	17
340	175	240	5775	21
340	175	300	7700	26
340	175	365	9625	32
340	175	430	11550	37
340	175	185	3850	17
340	175	240	2775	21
340	175	300	7700	26
340	175	365	9625	32
340	175	430	11550	37
340	175	495	13475	43
340	175	560	15400	49
340	240	190	5000	23
340	240	240	7500	29
340	240	300	10000	36
340	240	365	12500	44
340	240	430	15000	51
340	240	495	17500	59
340	240	560	20000	67

L (mm)	W (mm)	H (mm)	Cn	Weight
400	125	185	32000	14
400	125	240	4500	18
400	125	300	6000	22
400	125	365	7500	27
400	125	430	9000	32
400	125	495	10500	36
400	125	560	12000	41
400	175	185	4620	19
400	175	240	6930	25
400	175	300	9240	31
400	175	365	11550	38
400	175	430	13860	44
400	175	185	4620	19
400	175	240	6930	25
400	175	300	9240	31
400	175	365	11550	38
400	175	430	13860	44
400	175	495	16170	51
400	175	560	18480	57
400	240	190	6000	27
400	240	240	9000	34
400	240	300	12000	42
400	240	365	15000	51
400	240	430	18000	61

sc-leadertech.net

Un=1200V.Dc

L (mm)	W (mm)	H (mm)	Cn	Weight
340	125	190	2000	12
340	125	240	3000	15
340	125	300	400	19
340	125	365	5000	23
340	125	430	6000	27
340	125	495	7000	31
340	125	560	8000	37
340	175	185	3100	17
340	175	240	4650	21
340	175	300	6200	26
340	175	365	7750	32
340	175	430	9300	37
340	175	495	10850	43
340	175	560	12400	49
340	240	190	4000	23
340	240	240	6000	29
340	240	300	8000	36
340	240	365	10000	44
340	240	430	12000	51
340	240	495	14000	59
340	240	560	16000	67

L (mm)	W (mm)	H (mm)	Cn	Weight
400	125	185	2400	14
400	125	240	3600	18
400	125	300	4800	22
400	125	365	6000	27
400	125	430	7200	32
400	125	495	8400	36
400	125	560	9600	41
400	175	185	3720	19
400	175	240	5580	25
400	175	300	7440	31
400	175	365	930	38
400	175	430	11160	44
400	175	495	13020	51
400	175	560	14480	57
400	240	190	4800	27
400	240	240	7200	34
400	240	300	9600	42
400	240	365	12000	51
400	240	430	14400	61
400	240	495	16800	69
400	240	560	19200	78

Un=1200V.DC

L (mm)	W (mm)	H (mm)	Cn	Weight
340	125	180	1030	12
340	125	240	1545	15
340	125	300	2060	19
340	125	365	2575	23
340	125	430	3090	27
340	125	495	3605	31
340	125	560	4120	37
340	175	185	2325	17
340	175	240	2325	21
340	175	300	3100	26
340	175	365	3875	32
340	175	430	4650	37
340	175	495	5425	43
340	175	560	6200	49
340	240	190	2060	23
340	240	240	3090	29
340	240	300	4120	36
340	240	365	5150	44
340	240	430	6180	51
340	240	495	7210	59
340	240	560	8240	67

L (mm)	W (mm)	H (mm)	Cn	Weight
400	125	185	1236	14
400	125	240	1854	18
400	125	300	2472	22
400	125	365	3090	27
400	125	430	3708	32
400	125	495	4326	36
400	125	560	4944	41
400	175	185	1860	19
400	175	240	290	25
400	175	300	3720	31
400	175	365	4650	38
400	175	430	5580	44
400	175	495	6510	51
400	175	560	7440	57
400	240	190	2472	27
400	240	240	3708	34
400	240	300	4944	42
400	240	365	6180	51
400	240	430	7416	61
400	240	495	8652	69
400	240	560	9888	78

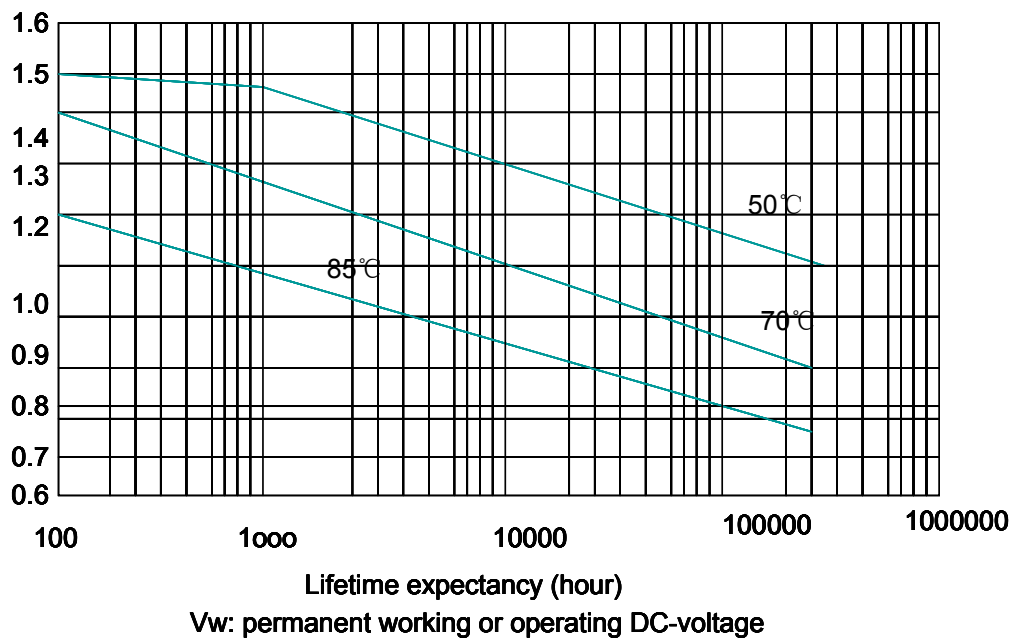
## Metalized film filter/storage capacitor

VTCO

Un=2000V.DC

L (mm)	W (mm)	H (mm)	Cn	Weight
340	125	85	620	12
340	125	240	930	15
340	125	300	1240	19
340	125	365	1550	23
340	125	430	1860	27
340	125	495	2170	31
340	125	560	2480	37
340	175	185	950	17
340	175	240	1425	21
340	175	300	1900	26
340	175	365	2375	32
340	175	430	2850	37
340	175	495	3325	43
340	175	560	3800	49
340	240	190	1240	23
340	240	240	1860	29
340	240	300	2480	36
340	240	365	3100	44
340	240	430	3720	51

L (mm)	W (mm)	H (mm)	Cn	Weight
400	125	185	744	14
400	125	240	1116	18
400	125	300	1488	22
400	125	365	1860	27
400	125	430	2232	32
400	125	495	2604	36
400	125	560	2976	41
400	175	185	1140	19
400	175	240	1710	25
400	175	300	2280	31
400	175	365	2850	38
400	175	430	3420	44
400	175	495	3990	51
400	175	560	4560	57
400	240	190	1488	27
400	240	240	2232	34
400	240	300	2976	42
400	240	365	3720	51
400	240	430	4464	61



sc-leadertech.net





## Metalized film DC-Link capacitor

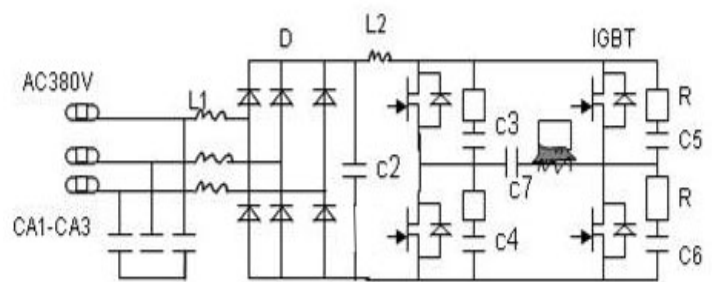
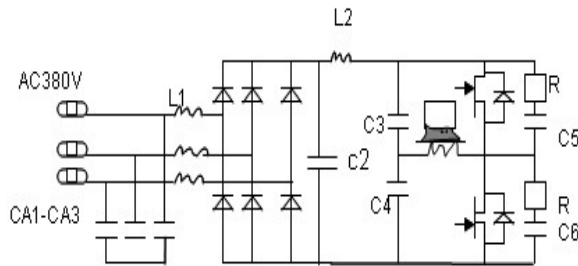
### Aluminum Case Capacitor DC-Link Capacitor SCA



Metallized polypropylene dielectric with non-inductive construction and special metal spray technics, seal with epoxy brass terminals.

Good frequency property, Withstand heavy Current, Good self-healing property, Low dissipation & inductance

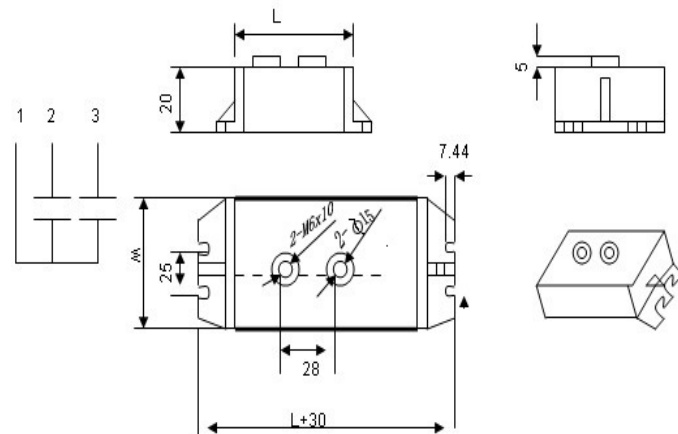
#### Typical circuit



#### Specifications

Operating temp rang	-40°C ~ +85%/+105°C
Capacitance (Qn)	10~100μF (200~800KVar)
Capacitance tolerance	±5%(J)、±10%(k)
Rated voltage	400~3000V. AC
Withstand voltage	1.5Un/60S
Dissipation factor	$\text{tg } \delta \leq 0.002$ (at 10KHz)
Insulation resistance	$C \times R_s \geq 15000 \text{ M}\Omega$ (at 20 °C 100V.DC 60S)
Withstand strike current ability	$Dv/dt > 50 \text{ v}/\mu\text{s}$
Flame retardation	UL94V-0
Stray inductance	$\leq 30 \text{ nH}$
Effective current	10~80A

#### Outline drawing



Un/1600V.DC

Part number	Cn	L(mm)	W(mm)	H(mm)	ESR(mΩ)	ESL(nH)	Dv/dt((V/μs)	Lpk(A)	Lrms(A)	Weight
DC-1600-20-1	20	55	65	30	2.8	10	100	2000	40	120
DC-1600-30-1	30	55	65	30	2.8	10	100	3000	50	120
DC-1600-45-1	45	55	75	30	2.1	10	100	4500	60	150

sc-leadertech.net

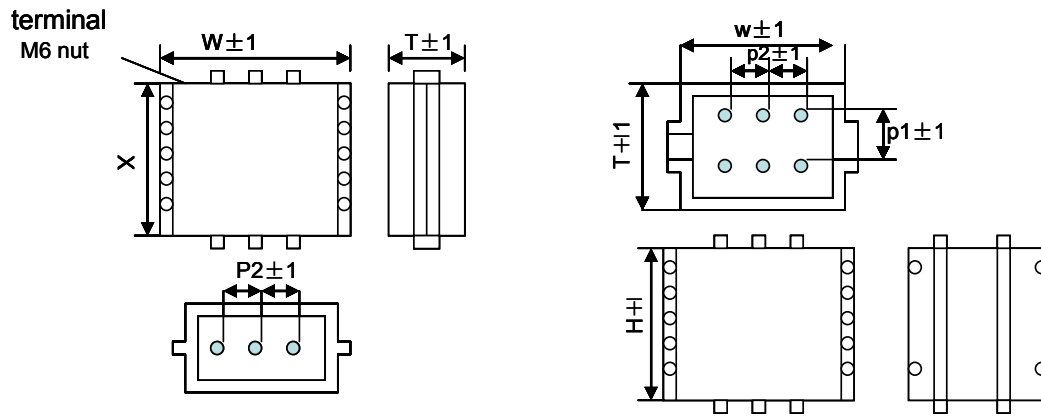


metallized polypropylene dielectric with non-inductive construction and special metal spray technics, encapsulated in a water cooling aluminum case seal with epoxy resin , fetch out by brass bolt or brass nut.

Good frequency property, Good self-healing properly , Low dissipation & inductance, High stability, Very high over rate current ability, Small size.

Widely used in high frequency induction heating equipment for high voltage resonance circuit.

Outline drawing



Construction A : 3 element

Dimensions : W1=150 W2=134 T=70  
H=100 P2=38

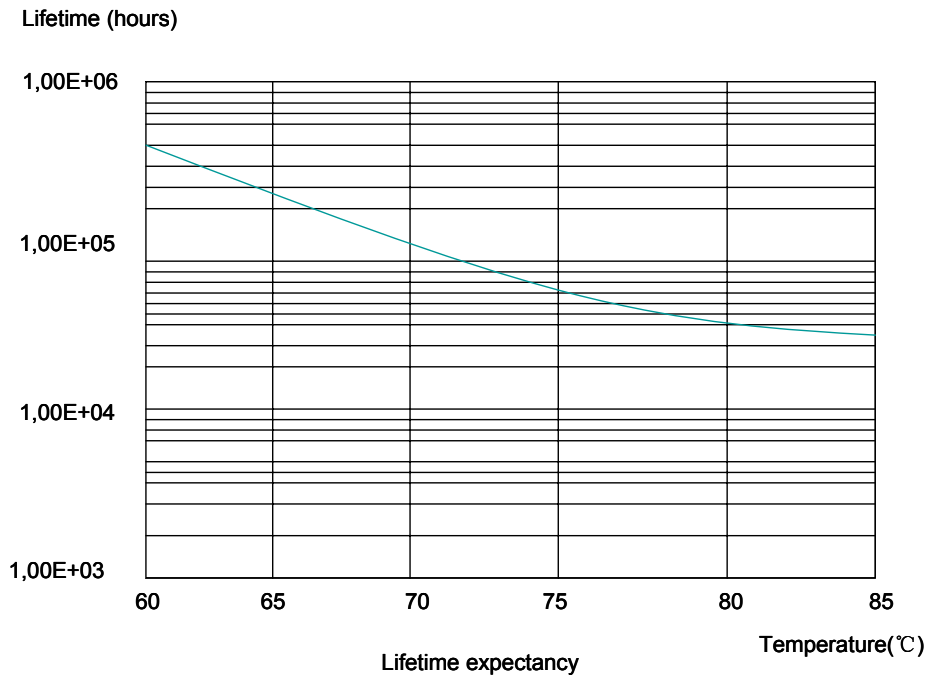
Construction A : 5element

Dimensions : W1=150 W2=134 T=110  
H=100 P1=40 P2=38

### specifications

Operating temp rang	-40°C ~ +85% / +105°C
Capacitance (Qn)	0.06 ~ 0.6 μF (200 ~ 800KVar)
Capacitance tolerance	±5%(J)、±10% (k)
Rated voltage	400 ~ 5000V. AC
Frequency range	20KHz ~ 250KHz
Withstand voltage	1.5Un/60S
Dissipation factor	tg δ ≤ 0.0005 (at 10KHz)
Insulation resistance	CxRs ≥ 15000 MΩ (at 20°C 100V.DC 60S)
Withstand strike current ability	Dv/dt > 3000v/μs
Flame retardation	UL94V-0
Stray inductance	≤ 20nH
Effective current	100 ~ 250A

Part number	CN $\mu\text{f}\pm 5\%$	Un v.ac	Irms(mac)A	Qn Kvar	F Khz	Remark
GXA-4000-0.06-1	0.06	4000	100	280	100	
GXA-4000-0.07-1	0.07	4000	100	300	100	
GXA-4000-0.08-1	0.08	4000	100	320	100	
GXA-4000-0.09-1	0.09	4000	120	400	100	
GXA-4000-0.1-1	0.1	4000	120	400	100	
GXA-4000-0.12-1	0.12	4000	150	480	100	
GXA-4000-0.15-1	0.15	4000	150	500	100	
GXA-4000-0.18-1	0.18	4000	150	600	100	
GXA-4000-0.2-1	0.2	4000	200	650	100	
GXA-4000-0.25-1	0.25	4000	200	700	100	
GXB-4000-0.12-1	0.12	4000	200	600	100	
GXB-4000-0.15-1	0.15	4000	200	600	100	
GXB-4000-0.18-1	0.18	4000	200	600	100	
GXB-4000-0.2-1	0.2	4000	250	800	100	
GXB-4000-0.25-1	0.25	4000	250	800	100	
GXB-4000-0.28-1	0.28	4000	250	800	100	
GXB-4000-0.3-1	0.3	4000	250	800	100	
GXB-4000-0.35-1	0.35	4000	250	800	100	
GXB-4000-0.4-1	0.4	4000	250	1000	100	
GXB-4000-0.43-1	0.43	4000	250	1000	100	
GXB-4000-0.5-1	0.5	4000	250	1000	100	
GXB-4000-0.56-1	0.56	4000	250	1000	100	
GXB-4000-0.6-1	0.6	4000	250	1000	100	



**Aluminum Case Capacitor  
Resonance Capacitor SCT**

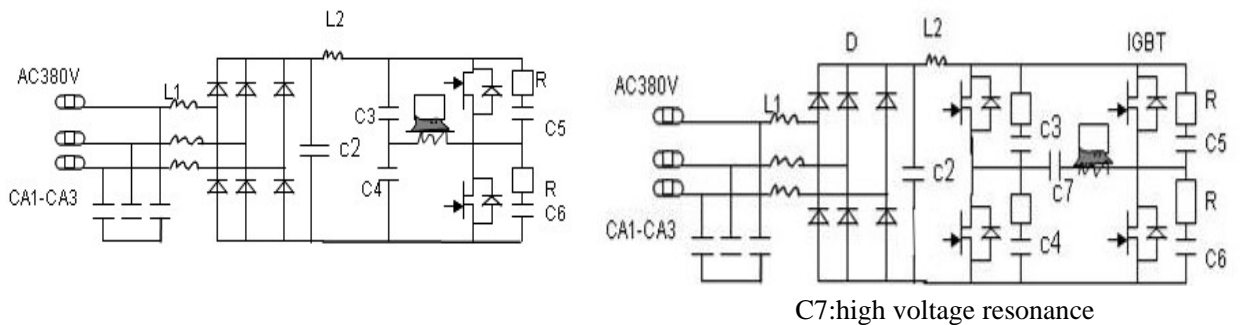


Metallized polypropylene dielectric with non-inductive construction and special metal spray technics, aluminum case seal with epoxy resin , fetch out by brass bolt or brass nut.

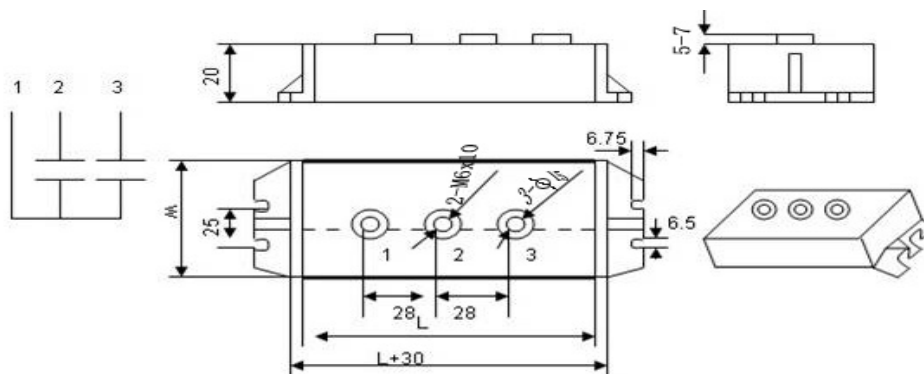
Good high frequency property, Good self-healing properly ,  
Low dissipation & inductance, High stability,  
Very high RMS current ratings, Small size and longer lifetime.

Widely used in high frequency induction heating equipment for high voltage resonance circuit.

Typical circuit



Outline drawing



## Specifications

Operating temp rang	-40℃~+85%/+105℃
Capacitance (Qn)	0.06~0.6μF (200~800KVar)
Capacitance tolerance	±5%(J)、±10% (k)
Rated voltage	400~5000V. AC
Frequency range	20KHz~250KHz
Withstand voltage	1.5Un/60S
Dissipation factor	$\tan \delta \leq 0.0005$ (at 10KHz)
Insulation resistance	$CxRs \geq 15000 M\Omega$ (at 20℃ 100V.DC 60S)
Withstand strike current ability	$Dv/dt > 3000v/\mu s$
Flame retardation	UL94V-0
Stray inductance	$\leq 20nH$
Effective current	100~250A

Un/1600V.DC

Part number	Cn	L(mm)	W(mm)	H(mm)	ESR(mΩ)	ESL(nH)	Dv/dt((V/μs)	Lpk(A)	Lrms(A)	Weight
GC-1600-2x1.0-1	2x1.0	125	65	30	2.5	10	1500	1500	80	280
GC-1600-2x1.2-1	2x1.2	125	65	30	2.3	10	1300	1560	100	280
GC-1600-2x1.4-1	2x1.4	145	75	30	1.8	10	1100	1540	100	350



## Water cooling metalized film resonance capacitor

### Water Cooling Resonance Capacitor SCW

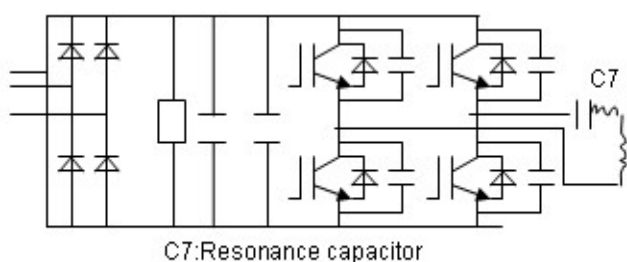


Metallized polypropylene dielectric with non-inductive construction and special metal spray technics, aluminum case and fetch out by brass bolt or brass nut.

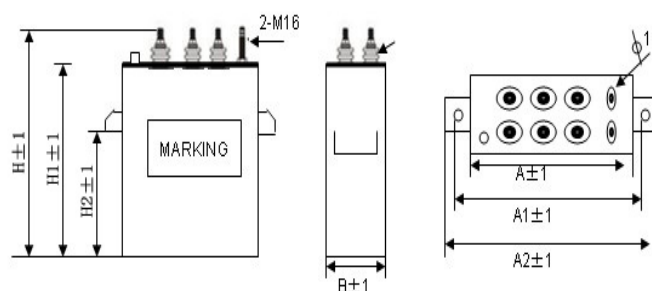
High stability, Low dissipation & inductance, Good self-healing properly, Withstand heavy current, Water cooling construction Good frequency property,

Widely used in induction heating equipment for middle frequency resonance circuit.

Typical circuit



Outline draw



### specifications

Operating temp rang	-40°C ~ +55°C / +70°C / +105°C
Capacitance (Qn)	100 ~ 600μF (500 ~ 3000KVar)
Capacitance tolerance	±5% (J)、±10% (k)
Rated voltage	375V.AC ~ 3000V. AC
Frequency range	300KHz ~ 25KHz
Withstand voltage	1.5Un/60S
Dissipation factor	$tg \delta \leq 0.001$ (at 1KHz)
Insulation resistance	$CxRs \geq 5000$ s (at 20°C 100V.DC 60S)
Withstand strike current ability	$Dv/dt > 500$ v/μs
Flame retardation	UL94V-0
Stray inductance	$\leq 150$ nH
Effective current	$\geq 1.3In(In2\pi fcu)$
Referenced standard	IEC 6110-1988 GB/T3984-2004

Part number	Cn	Un V. AC	F HZ	ON KVAR	A	A1	A2	B	H	H1	D	Weight (g)
DR-650-377-1	377	650	1000	1000	335	375	405	140	510	420	270	30
DR-750-40-1	40	750	4000	560	303	343	373	110	226	136	0	10
DR-750-283-11	283	750	1000	1000	410	445	480	140	545	455	300	42
DR750-113-1	113	750	2500	1000	303	343	373	118	290	210	0	13
DR-750-14-1	14	750	20000	1000	276	377	408	110	310	220	0	13
DR-750-10-1	10	750	28000	1000	440	475	510	90	360	270	190	18
DR-1200-159-1	159	1200	1000	1000	370	390	440	145	415	325	255	30
DR-1200-222-1	222	1200	500	1000	370	420	470	145	445	355	225	30
DR-1200-111-1	111	1200	1000	1000	340	420	470	135	445	355	255	26
DR-1400-40.8-1	40.8	1400	3000	1507	365	400	435	142	305	215	115	18
DR-1500-265-1	26.5	1500	4000	1500	320	355	390	110	300	210	110	13
DR-1400-14-1	14	1400	7000	1200	285	320	355	142	390	300	200	20
DR-1500-265-1	26.5	1500	4000	1500	335	370	405	142	350	260	160	20
DR-1500-354-1	35.4	1500	4000	2000	335	370	405	142	400	310	210	24

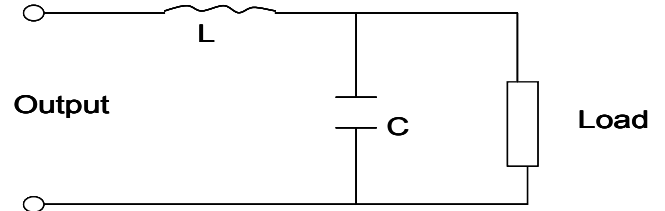
## Metalized film AC filter capacitor



Huge capacitance , withstand high voltage and ripple current, small size, install easily and flexibly.

Wildly used in UPS, switch power supply, transducer, inverter, power supply and so on. Composed of multi-stage LC filter circuit with reactor L for harmonic pollution remediation remediation and providing reactive power compensation, then improve power factor and so on . It can be made according to customer requirements within the triangle or connection.

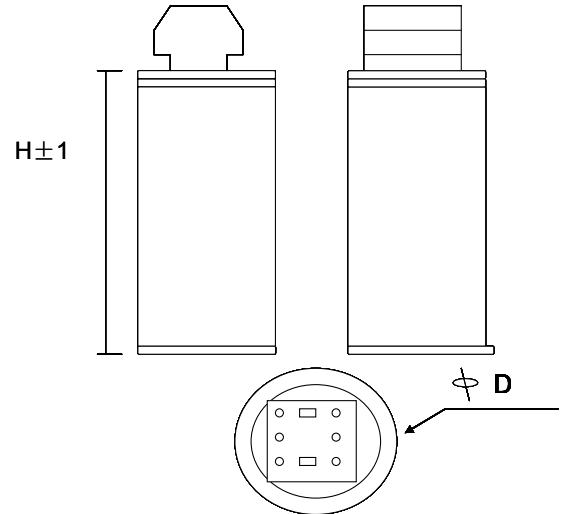
**Typical circuit**



**C : Output filter capacitor**

**specifications**

Operating temp rang	-40°C~+105°C
Capacitance (Qn)	100~1000µF (10~800KVar)
Capacitance tolerance	±5%(J)、±10% (k)
Rated voltage	250~1000V. AC
Withstand voltage	1.5Un/60S
Dissipation factor	tgδ ≤ 0.002 (at 1KHz)
Insulation resistance	CxRs ≥ 5000 mΩ(at 20°C 100V.DC 60S)
Withstand strike current ability	Dv/dt>20v/µs
Flame retardation	UL94V-0
Stray inductance	≤20nH
Effective current	10~250A



Special specification available on request

Cn	Un	∅ DxW	WXTH
3x1.0µF	2000V. AC		78x38x54
3x10µF	400V. AC		78x38x54
3x12µF	450V. AC		100x5x75
3x13.9µF	850V. AC		250x130x160
3x55.7µF	950V. AC	116x270	
3x46.7µF	450V. AC	116x270	
3x60µF	1400V. AC		200x135x150

Cn	Un	∅ DxW	WXTH
3x800µF	500V. AC		205x70x150
3x150µF	690V. AC		380x80x190
3x160µF	450V. AC	116x220	
3x40µF	450V. AC		160x45x60
3x60µF	690V. AC		250x55x70
3x350µF	450V. AC		400x80x300
3x450µF	1140V. AC		530x135x290



VTCO

[www.sc-leadertech.net](http://www.sc-leadertech.net)