



Features

- Rated voltage 310VAC (UL, C-UL 250VAC).
- Class X2 series.
- Operating temperature up to 110°C.
- Smallest size of LE series.

Applications

- Designed mainly for suppressing noise occurring in power line of electrical appliances.

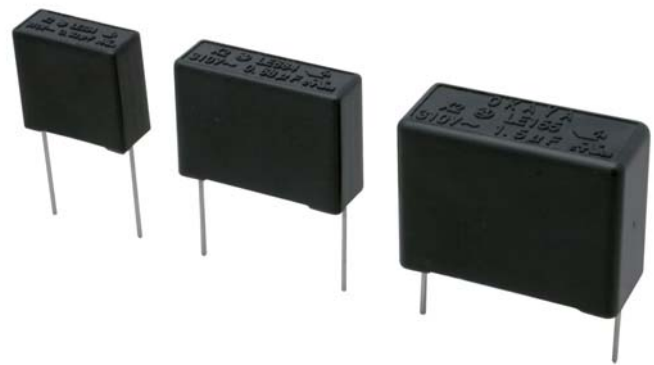
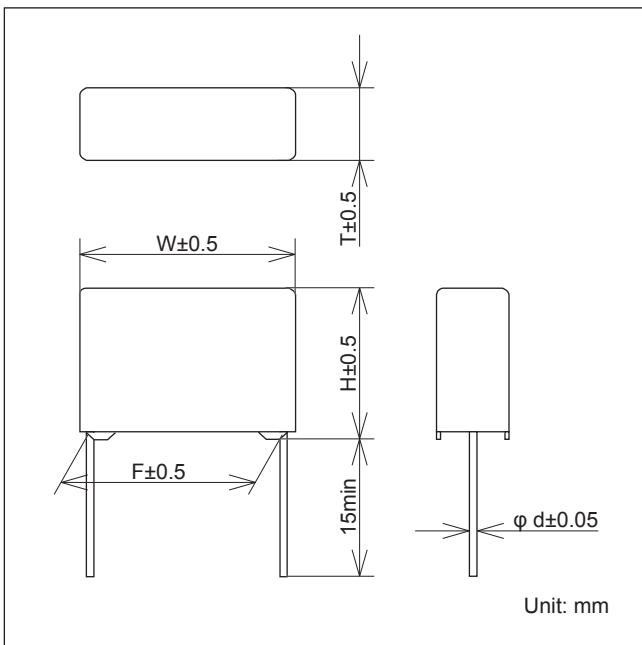


Safety Standard		File No.
UL	:UL-1414, UL-1283	E47474, E78644
c-UL	:C22.2 No.1, C22.2 No.8	E47474, E78644
SEMKO-ENEC	:IEC/EN 60384-14: 2005	SE/0142-1

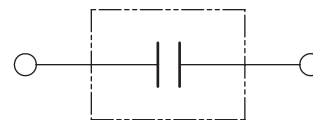
The "ENEC" mark is a common European product certification mark based on testing to harmonized European safety standard. The mark with #14 stands for SEMKO.



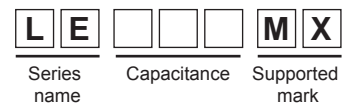
Dimensions



Circuit



Model numbering system



Electrical Specifications

Rated Voltage **310VAC (UL, c-UL: 250VAC)**

Safety Standard	Class	Model Number	Capacitance $\mu\text{F}\pm 10\%$	Dimensions					Dissipation Factor	Test Voltage	Insulation Resistance
				W	H	T	F	d			
 	X2	LE104-MX	0.1	17.0	11.0	5.0	15.0	0.6	$C \leq 1\mu\text{F}$ 0.003max. (f=10kHz)	Line to Line 1,000VAC 50/60Hz 60sec or 1,870VDC 60sec	Line to Line $C \leq 0.33\mu\text{F}$ 15,000M Ω min. $C \geq 0.47\mu\text{F}$ 5,000 $\Omega \cdot \text{F}$ min. Line to Case 100,000M Ω min. (at 100VDC)
		LE154-MX	0.15		12.0	6.0					
		LE224-MX	0.22		14.0	6.5					
		LE334-MX	0.33	17.5	7.5	22.5					
		LE474-MX	0.47		7.0						
		LE684-MX	0.68	25.5	18.0	8.5					
		LE105-MX	1.0		21.0	10.0					
		LE155-MX	1.5	30.5	22.5	13.0	27.5				
LE225-MX	2.2	25.5	15.5								

Operating Temperature: -55~+110°C