

## 快达固态继电器 Crydom 代理商全国 400 热线 4006-022-002 固态继电器价格

北京(Beijing) 010-68008 911 进口固态继电器经销商 [www.shuntu.net](http://www.shuntu.net)

广东省深圳 0755-83656701 江苏省 0510-81157933 无锡固态继电器 [Crydom@126.com](mailto:Crydom@126.com)

M50 电源 SCR 二极管模块 电源模块 M50100SB600 快达固态继电器 PDF 样本

DIN 安装固态继电器 SSR 进口固态继电器厂家 导轨安装固体继电器 **施耐德固态继电器**

**单路固态继电器原理 双路固态继电器 直流固态继电器 交流固态继电器 三相固态继电器**

**UL 认证固态继电器 VDE 认证固态继电器资料 CE 认证固态继电器型号**

快达电源模块, Crydom 电源模块 Power Module, .晶闸管模块 Crydom 可控硅整流器模块

固态继电器型号	固态继电器类型	最大直流电流	交流线电压	可选二极管
M50100CC1000	Diode Module	100A	380 VAC	No
M50100CC1200	Diode Module	100A	480 VAC	No
M50100CC1400	Diode Module	100A	530 VAC	No
M50100CC1600	Diode Module	100A	600 VAC	No
M50100CC400	Diode Module	100A	120 VAC	No
M50100CC600	Diode Module	100A	240 VAC	No
M50100DD1000	Diode Module	100A	380 VAC	No
M50100DD1200	Diode Module	100A	480 VAC	No
M50100DD1400	Diode Module	100A	530 VAC	No
M50100DD1600	Diode Module	100A	600 VAC	No
M50100DD400	Diode Module	100A	120 VAC	No
M50100DD600	Diode Module	100A	240 VAC	No
M50100SB1000	Diode Module	100A	380 VAC	No
M50100SB1200	Diode Module	100A	480 VAC	No
M50100SB1400	Diode Module	100A	530 VAC	No
M50100SB1600	Diode Module	100A	600 VAC	No

快达固态继电器 Crydom 代理商全国 400 热线 4006-022-002 固态继电器价格

北京(Beijing) 010-68008 911 进口固态继电器经销商 [www.shuntu.net](http://www.shuntu.net)

广东省深圳 0755-83656701 江苏省 0510-81157933 无锡固态继电器 [Crydom@126.com](mailto:Crydom@126.com)

M50100SB400	Diode Module	100A	120 VAC	No
M50100SB600	Diode Module	100A	240 VAC	No
M50100TB1000	Diode Module	100A	380 VAC	No
M50100TB1200	Diode Module	100A	480 VAC	No
M50100TB1400	Diode Module	100A	530 VAC	No
M50100TB1600	Diode Module	100A	600 VAC	No
M50100TB400	Diode Module	100A	120 VAC	No
M50100TB600	Diode Module	100A	240 VAC	No
M50100THA1000	Diode Module	100A	380 VAC	No
M50100THA1200	Diode Module	100A	480 VAC	No
M50100THA1400	Diode Module	100A	530 VAC	No
M50100THA1600	Diode Module	100A	600 VAC	No
M50100THA400	Diode Module	100A	120 VAC	No
M50100THA600	Diode Module	100A	240 VAC	No
M50100THC1000	Diode Module	100A	380 VAC	No
M50100THC1200	Diode Module	100A	480 VAC	No
M50100THC1400	Diode Module	100A	530 VAC	No
M50100THC1600	Diode Module	100A	600 VAC	No
M50100THC400	Diode Module	100A	120 VAC	No
M50100THC600	Diode Module	100A	240 VAC	No

快达固态继电器 Crydom 代理商全国 400 热线 4006-022-002 固态继电器价格

北京(Beijing) 010-68008 911 进口固态继电器经销商 [www.shuntu.net](http://www.shuntu.net)

广东省深圳 0755-83656701 江苏省 0510-81157933 无锡固态继电器 [Crydom@126.com](mailto:Crydom@126.com)

M5060CC1000	Diode Module	50A	380 VAC	No
M5060CC1200	Diode Module	50A	480 VAC	No
M5060CC1400	Diode Module	50A	530 VAC	No
M5060CC1600	Diode Module	50A	600 VAC	No
M5060CC400	Diode Module	50A	120 VAC	No
M5060CC600	Diode Module	50A	240 VAC	No
M5060DD1000	Diode Module	50A	380 VAC	No
M5060DD1200	Diode Module	50A	480 VAC	No
M5060DD1400	Diode Module	50A	530 VAC	No
M5060DD1600	Diode Module	50A	600 VAC	No
M5060DD400	Diode Module	50A	120 VAC	No
M5060DD600	Diode Module	50A	240 VAC	No
M5060SB1000	Diode Module	50A	380 VAC	No
M5060SB1200	Diode Module	50A	480 VAC	No
M5060SB1400	Diode Module	50A	530 VAC	No
M5060SB1600	Diode Module	50A	600 VAC	No
M5060SB400	Diode Module	50A	120 VAC	No
M5060SB600	Diode Module	50A	240 VAC	No
M5060TB1000	Diode Module	50A	380 VAC	No
M5060TB1200	Diode Module	50A	480 VAC	No

快达固态继电器 Crydom 代理商全国 400 热线 4006-022-002 固态继电器价格

北京(Beijing) 010-68008 911 进口固态继电器经销商 [www.shuntu.net](http://www.shuntu.net)

广东省深圳 0755-83656701 江苏省 0510-81157933 无锡固态继电器 [Crydom@126.com](mailto:Crydom@126.com)

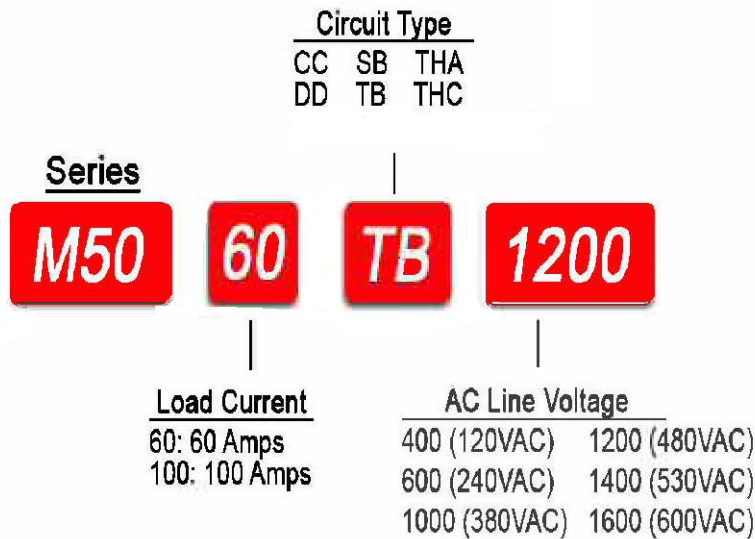
M5060TB1400	Diode Module	50A	530 VAC	No
M5060TB1600	Diode Module	50A	600 VAC	No
M5060TB400	Diode Module	50A	120 VAC	No
M5060TB600	Diode Module	50A	240 VAC	No
M5060THA1000	Diode Module	50A	380 VAC	No
M5060THA1200	Diode Module	50A	480 VAC	No
M5060THA1400	Diode Module	50A	530 VAC	No
M5060THA1600	Diode Module	50A	600 VAC	No
M5060THA400	Diode Module	50A	120 VAC	No
M5060THA600	Diode Module	50A	240 VAC	No
M5060THC1000	Diode Module	50A	380 VAC	No
M5060THC1200	Diode Module	50A	480 VAC	No
M5060THC1400	Diode Module	50A	530 VAC	No
M5060THC1600	Diode Module	50A	600 VAC	No
M5060THC400	Diode Module	50A	120 VAC	No
M5060THC600	Diode Module	50A	240 VAC	No

## M50 Diode Series



- High Surge Current Rectifier Circuits
- 5 Different Circuits to Choose from
- Up to 1600 Volt Blocking Standard
- UL Recognized E72445

### AVAILABLE OPTIONS



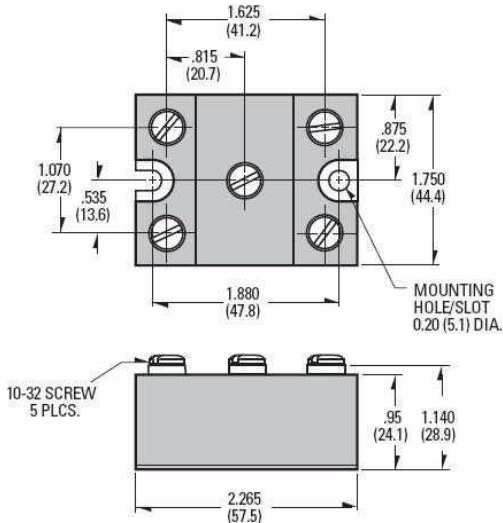
### ELECTRICAL SPECIFICATIONS

Description	Symbol	M5060	M50100
Maximum DC Output Current (Tc = 85°C)	I <sub>D</sub>	60 A	100 A
Maximum Voltage Drop @ Amps Peak	V <sub>F</sub>	1.35V @ 50A	1.2V @ 100 A
Operating Junction Temperature Range	T <sub>J</sub>	-40 - 125°C	-40 - 125°C
Repetitive Peak Reverse Voltage (AC Line Nominal) [Vpk]	V <sub>RRM</sub>	400 (120 VAC)	
		600 (240 VAC)	
		800 (280 VAC)	
		1200 (480 VAC)	
		1400 (530 VAC)	
		1600 (600 VAC)	
Maximum Non-Repetitive Surge Current (1/2 Cycle, 60 Hz) [A]	I <sub>TSM</sub>	800	1500
Maximum I <sup>2</sup> T for Fusing (t=8.3ms) [A <sup>2</sup> sec]	I <sup>2</sup> T	2650	9350
Maximum Thermal Resistance, Junction to Ceramic Base per Chip [°C/W]	R <sub>JC</sub>	0.45°C/W	0.3°C/W
Isolation Voltage [Vrms]	V <sub>ISOL</sub>	2500	

### GENERAL SPECIFICATIONS

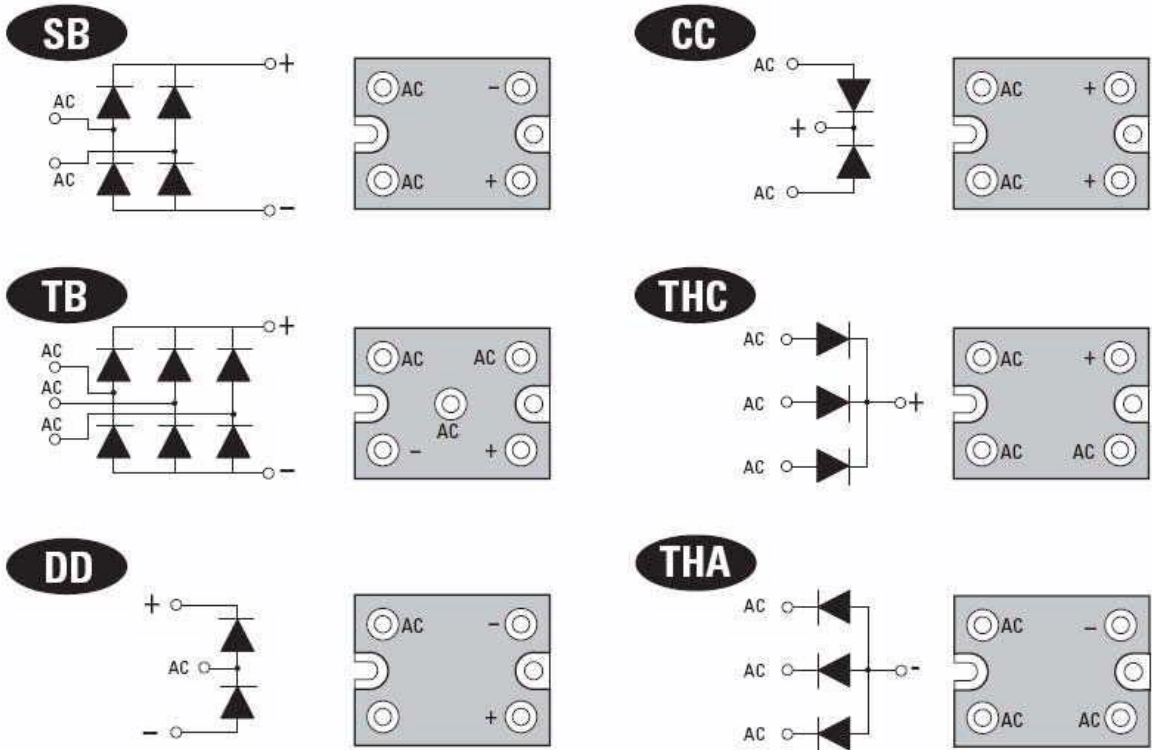
Description	
Weight (typical)	4.5 oz (158g)

**MECHANICAL SPECIFICATIONS**



All dimensions are in inches (millimeters)

**CIRCUIT DIAGRAMS**



**AGENCY APPROVALS**

