

GDT Product Specification

BS*N SMD Gas Discharge Tube (3.2×1.6×1.6mm)**

RoHS

1、FEATURES

- Surface Mounting Design UL Certified E232249
- Small Size Design EIA 1206 3.2*1.6*1.6mm
- High Current Handling Capability 500A @ 8/20μs
- Low Capacitance and Insertion Loss
- Fast Response and Long Service Life
- Reliable to Protect Electrostatic Surge



2、AVAILABLE PART NUMBER AND ELECTRICAL PARAMETER @ T=25°C RH = 45%-75%

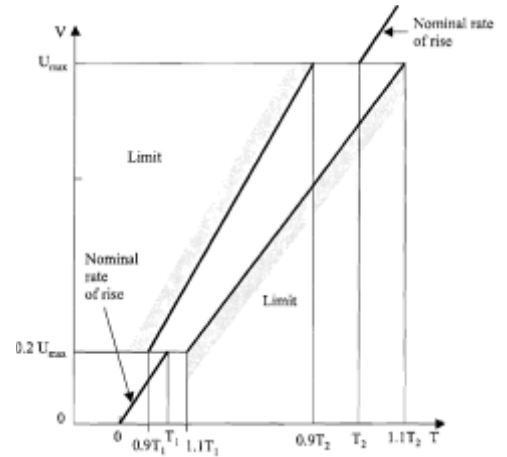
Part Number	DC Breakdown Voltage①	Tolerance of Vs	Impulse Spark-over Voltage	Impulse Withstanding Voltage Capacity	Impulse Discharge Current②	Insulation Resistance		C③ (1MHz)
	100V/s④		1kV/μs④	10/700μs	8/20μs	GΩ	DC	
BS151N	150V	±30%	≤ 700V	6KV	500A	≥1	50V	≤0.6pF
BS201N	200V	±30%	≤ 750V	6KV	500A	≥1	100V	≤0.6pF
BS301N	300V	±30%	≤ 800V	6KV	500A	≥1	100V	≤0.6pF
BS351N	350V	±30%	≤ 850V	6KV	500A	≥1	100V	≤0.6pF
BS401N	400V	±30%	≤ 950V	6KV	500A	≥1	100V	≤0.6pF
BS401N+	400V	360-550	≤ 1050V	6KV	500A	≥1	100V	≤0.6pF
BS471N	470V	±30%	≤ 1050V	6KV	500A	≥1	100V	≤0.6pF

- ①、The parameters of all are tested by ITU-T K12
- ②、Total Impulse Discharge Current 500A @ 8/20μs by IEC 61000-4-5, 10 shots
- ③、The capacitance are tested by 1MHz @ DC= 0.3V
- ④、The V-T waveform of DCBV and IPBV mus lie between the shades.

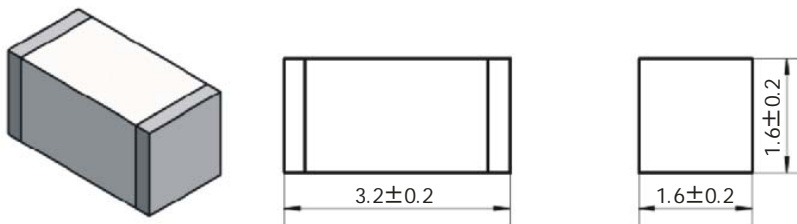
3、PART NUMBERING SYSTEM

BS XXX N
 (1) (2) (3)

- (1) Bencent SMD Gas Discharge Tube in 3.2*1.6*1.6 (L*W*H) (mm)
- (2) DC Breakdown Voltage, e.g., 151=15*10¹=150V
- (3) Tolerance is DC Breakdown Voltage, M=+-20%, N=+-30%



4、DIMENSIONS



Unit:mm



一站式电磁兼容 (EMC) 方案供应商!
 电话: 0755-26532285 传真: 0755-26532652

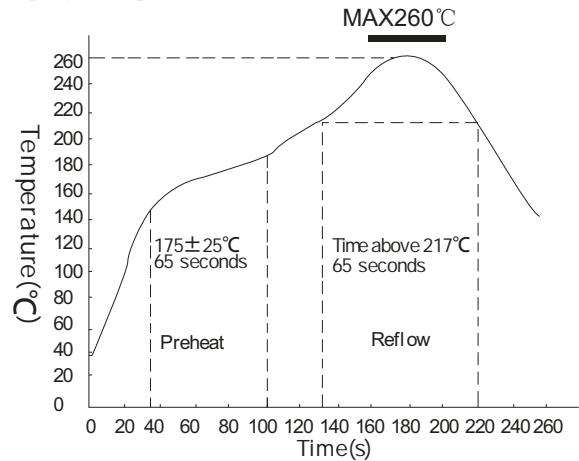
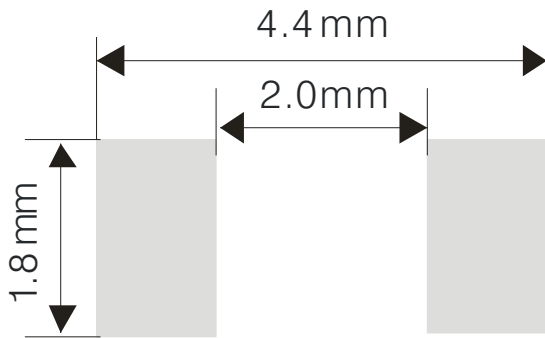
网址: <http://www.compon-tech.com>
 邮箱: compon@compon-tech.com

GDT Product Specification

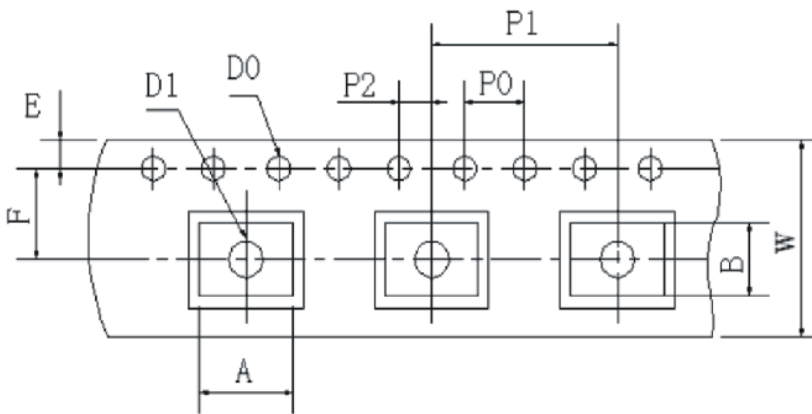
BS***N SMD Gas Discharge Tube (3.2×1.6×1.6mm)



5、RECOMMENDED SOLDERING PAD AND REFLOW PROFILE



6、PACKAGE REEL INFORMATION



ITEM	DIM(mm)
A	1.9±0.10
B	3.5±0.10
D0	φ1.5±0.1
D1	φ1.1±0.10
E	1.75±0.10
F	5.5±0.10
P0	4.0±0.1
P1	8.0±0.10
P2	2.0±0.1
W	12.0±0.3

OUTLINE	REEL (PCS)	PER CARTON (PCS)	REEL DIAMETERS (mm)	CARTON SIZE(mm)		
				L	W	H
TAPING	2,000	44,000	178	360	360	220

Remark:

- 1、 Create the part number of BS401N+.
- 2、 Company name change from *Bencent Electronics Limited* to *Shenzhen Bencent Electronics Co., Ltd*

Special Notes

- 1、 Shenzhen Bencent Electronics Co., Ltd (BENCENT) reserves the rights to make changes without further notice to its products herein.
- 2、 BENCENT does not assume any liability arising out of the application or usage of any product or circuit, and specifically disclaims any and all liability, including without limitation special, consequential or incidental damages.
- 3、 Any special usage must be authorized by BENCENT in advance; otherwise BENCENT does not take any liability of it.

Date Issued:2010/02



一站式电磁兼容 (EMC) 方案供应商!

电话: 0755-26532285

传真: 0755-26532652

网址: <http://www.compon-tech.com>

邮箱: compon@compon-tech.com