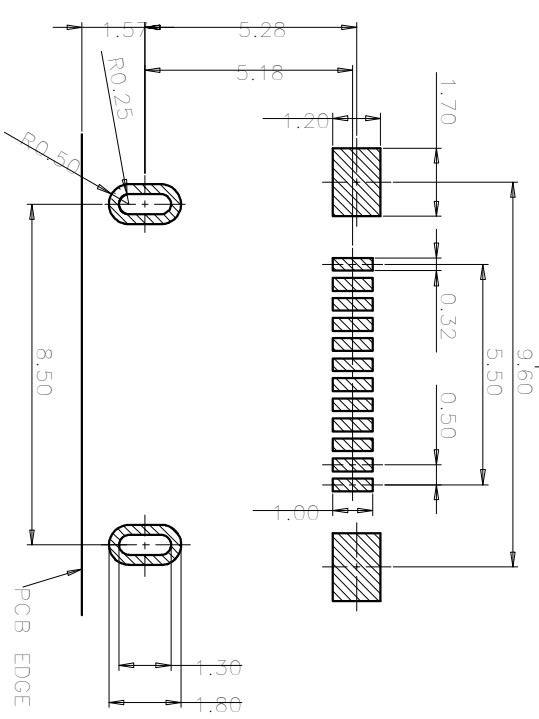
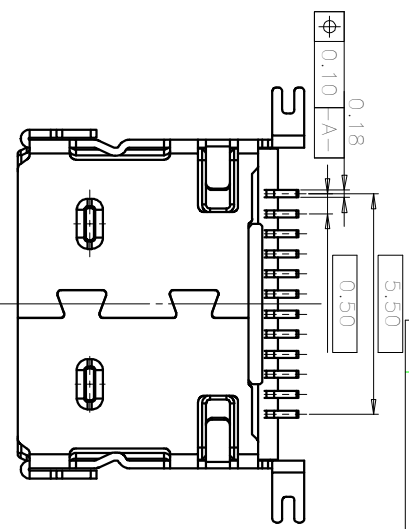
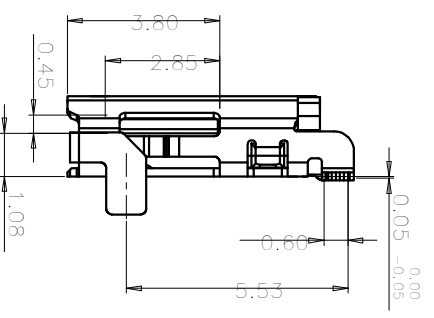
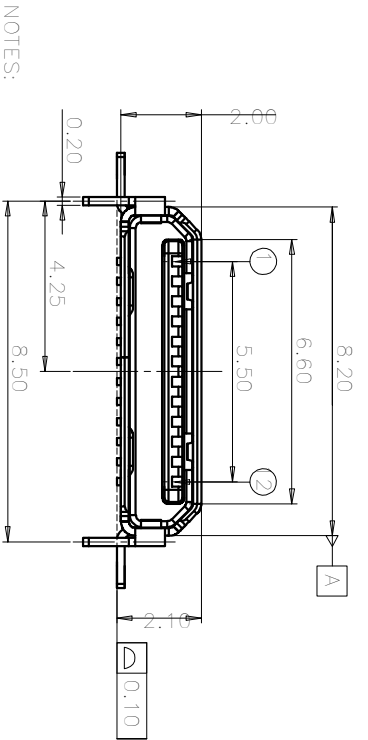
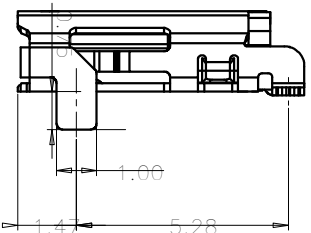
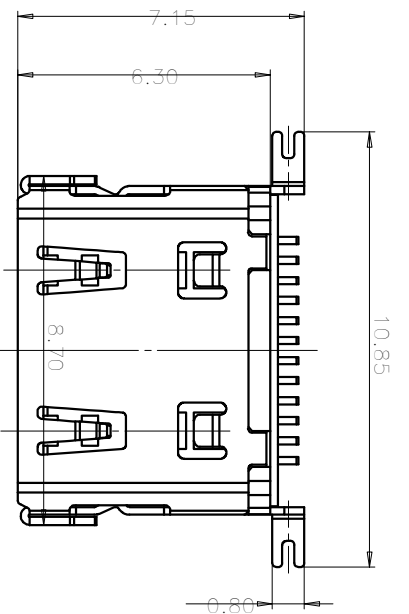


CAD GENERATED DRAWING. DON'T CHANGE BY HAND.



NOTES:  
 1. MATERIAL:  
 HOUSING: LCP  
 CONTACT: COPPER ALLOY  
 SHELL: STAINLESS  
 2. FINISH:  
 CONTACT: Au PLATING OVER ALL  
 SHELL: TIN PLATED  
 3. GP PASSED ACCORD WITH RoHS STANDARD.  
 4. ALL DIMENSIONS MARKED MUST BE CONTROLLED BY QC.

RECOMMENDED PCB LAYOUT  
 TOLERANCE: ±0.05

REV.	DESCRIPTION	DESIGN
A0	Initial Release	


 深圳市宏艺精密零组件有限公司  
 Hengyi Precision Components Co., Ltd.  
 PRT NO.: HYAU12002001  
 TITLE: CUSTOMER DWG.  
 MINI USB 12 P

DIM	TOL	DIM	TOL
X	±0.30	X°	±2°
XX	±0.25	XX°	±1°
XXX	±0.20	XXX°	±0.5°
	±0.15		

APPD:	DWG NO.:
CHKD:	UNITS: mm
DR:	SCALE: N/A
	SHEET: 1/1
	REV.: