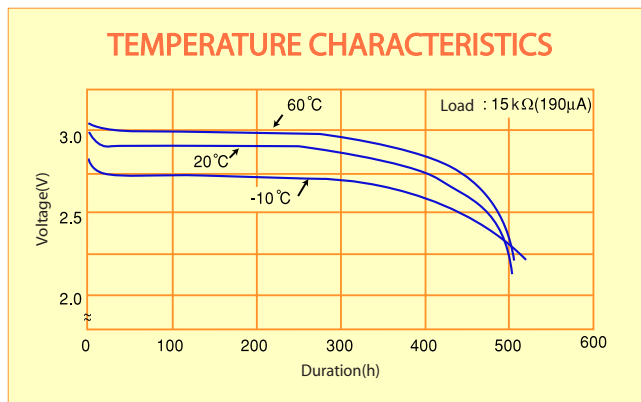
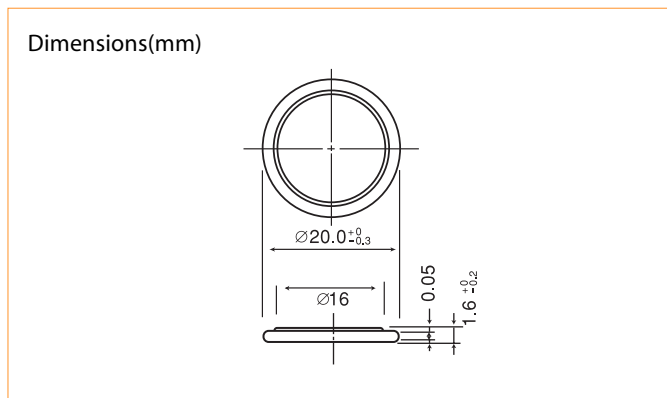


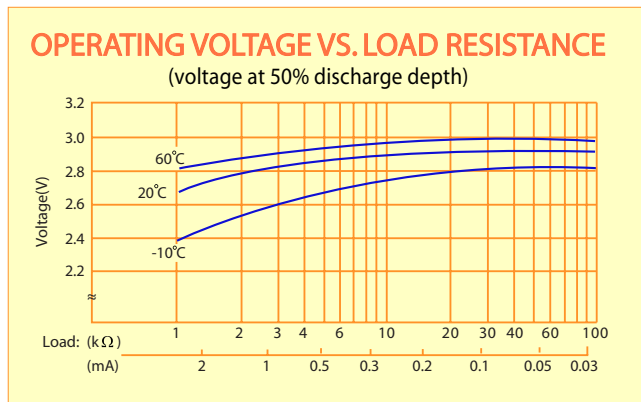
CR2016

Manganese Dioxide
Lithium Coin Batteries



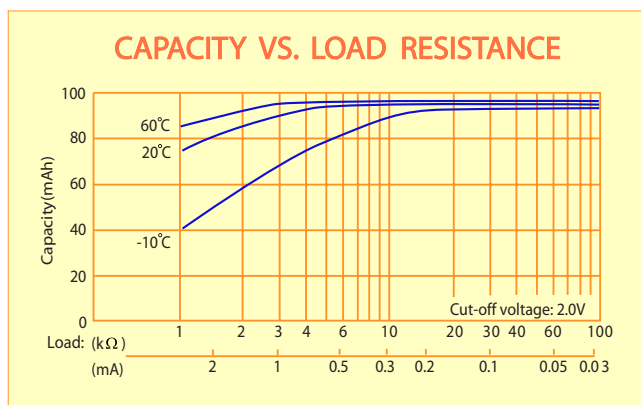
SPECIFICATION

Nominal voltage (V)	3
Nominal capacity (mAh)	80
Continuous standard load (mA)	0.1
Operating temperature (°C)	-20 ~ +60
Weight(g)	1.8



WARNING:

- Forbid short-circuit, charge between "+" and "-".
- Forbid over-discharge, fire, damage.
- Finish sealing less more 5 seconds at 200°C~250°C.
- Take out the battery when discharging to cut-off voltage, and embedding it under the ground or jump in the deep water.



EVE BATTERY CO., LTD.

Tel:+86-752-260 1898 +86-752-260 1128 Fax:+86-752-260 6033

[http:// www. evebattery.com](http://www.evebattery.com) Email:sales@evebattery.com

Latest version can be downloaded from EVE website