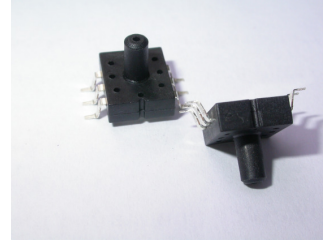


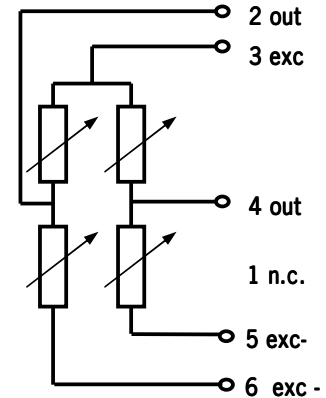
Solid State pressure sensor for Absolute pressure in SO6.

The SPD015ABsoic6 series SPD Absolute Pressure sensors are designed for space sensitive applications and are encapsulated in a standard SO-6 package. The sensors are for use with non-corrosive and non-ionic media. The range of this sensor is 15 PSI absolute, other ranges can be made on request. Available ranges 15,30 and 100 PSI absolute pressure.



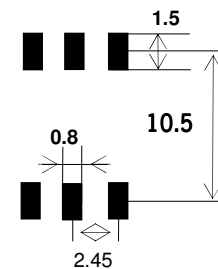
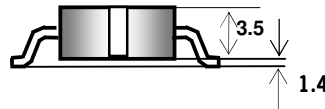
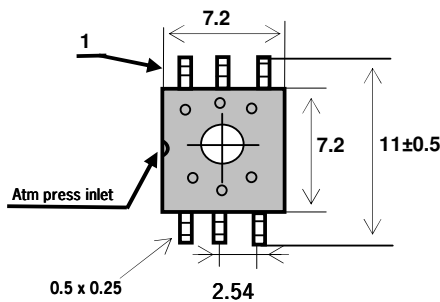
Characteristics (measured @5V exc. voltage and 25 °C)

Parameter	Min	Typ	Max	Units.
Excitation Voltage	0	5	10	V
Excitation Current	-	1		mA
Pressure range	0		15	psi
Span	70	100	130	mV
Offset	-30	0	+30	mV
Temp Coeff. Span		-19		%FS/100 °C
Temp Coeff. Offset	-7		+7	%FS/100 °C
Linearity 1)		±0,3		%FS
Bridge impedance	4	5	6	KΩ
Operating temperature	-40		85	°C
Storage temperature	-40		125	°C
Over pressure			3x	FS



Internal circuit

1) Measured Best Fit Straight Line



Foot print

All sizes in mm

Soldering 250 °C, 5 sec.