



MODEL NO: 15-21SURC/S530-A5/TR8

Device Number : DSE-151-087 REV. 1.0

**1206 Package Chip LEDs**

ECN : Page: 1/8

**Features :**

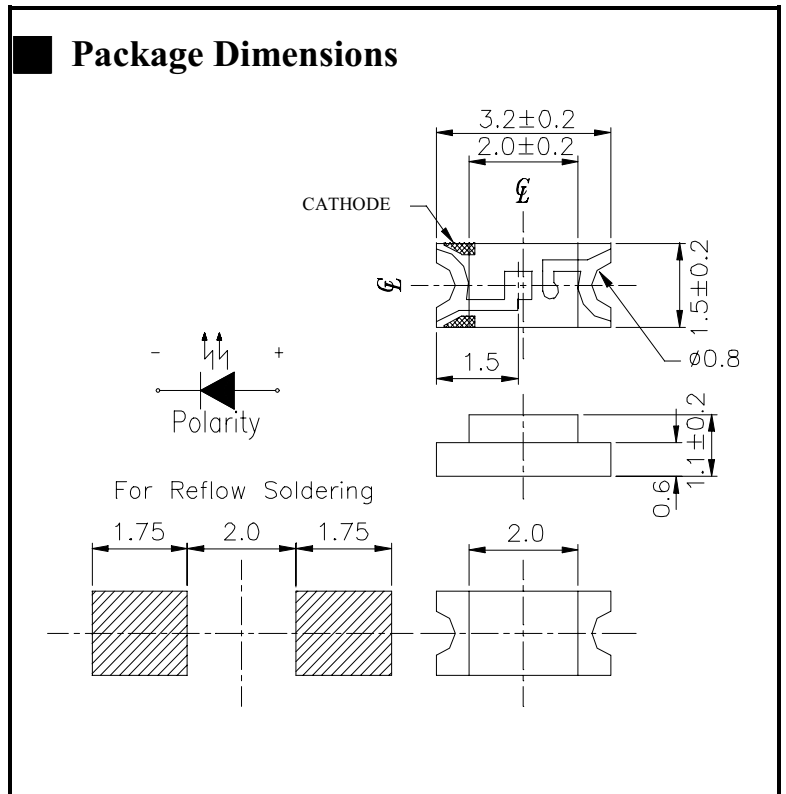
- Package in 8mm tape on 7" diameter reel.
- Compatible with automatic placement equipment.
- Compatible with infrared and vapor phase reflow solder process.
- Mono-color type.

**Descriptions :**

- The 15-21 SMD Taping is much smaller than lead frame type components, thus enable smaller board size, higher packing density, reduced storage space and finally smaller equipment to be obtained.
- Besides, lightweight makes them ideal for miniature applications.etc.

**Applications :**

- Automotive: backlighting in dashboard and switch.
- Telecommunication: indicator and backlighting in telephone and fax.
- Flat backlight for LCD, switch and symbol.
- General use.



**Notes :**

Tolerances Unless Dimension  
 ± 0.1mm Angle ± 0.5° Unit = mm

PART NO	Chip		Lens Color
	Material	Emitted Color	
15-21SURC/S530-A5/TR8	AlGaInP	Hyper Red	Water Clear



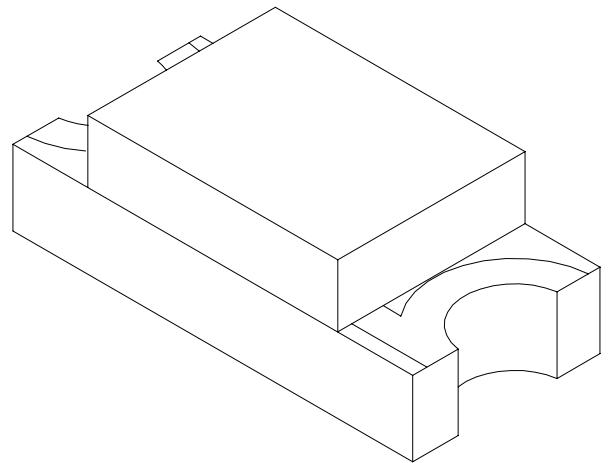
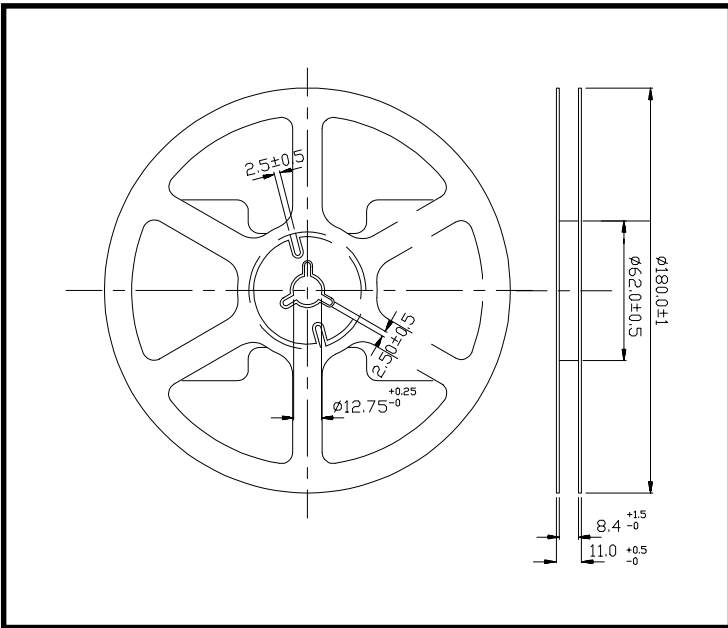
MODEL NO: 15-21SURC/S530-A5/TR8

Device Number : DSE-151-087 REV. 1.0

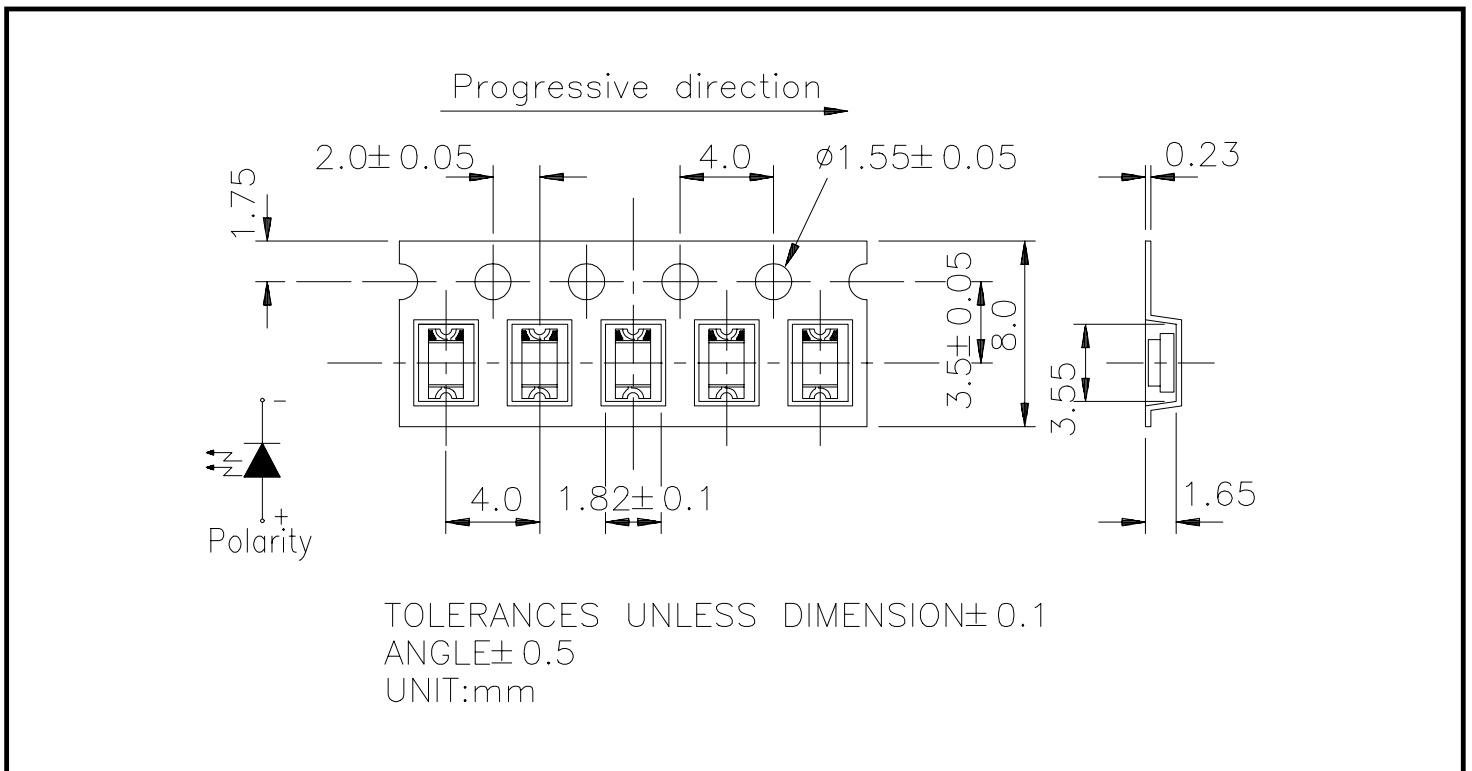
**1206 Package Chip LEDs**

ECN : \_\_\_\_\_ Page: 2/8

■ **Package Dimensions :**



■ **Loaded quantity per reel 2000 PCS/reel :**





MODEL NO: 15-21SURC/S530-A5/TR8

Device Number : DSE-151-087 REV. 1.0

**1206 Package Chip LEDs**

ECN : Page: 3/8

**Absolute Maximum Ratings at Ta = 25°C**

Parameter	Symbol	Rating	Unit
Reverse Voltage	Vr	5	V
Forward Current	If	25	mA
Operating Temperature	Topr	-40 ~ +85	°C
Storage Temperature	Tstg	-40~ +90	°C
Soldering Temperature	Tsol	260 (for 5 second)	°C
Electrostatic Discharge	ESD	2000	V
Power Dissipation	Pd	60	mW
Peak Forward Current(Duty 1/10 @ 1KHZ)	If(Peak)	160	mA

**Electronic Optical Characteristics :**

Parameter	Symbol	Min.	Typ.	Max.	Unit	Condition
Luminous Intensity	Iv	-----	5	-----	mcd	If=2mA
		60	92	-----	mcd	If=20mA
Viewing Angle	2θ 1/2	-----	140	-----	deg	If=20mA
Peak Wavelength	λ p	-----	632	-----	nm	If=20mA
Dominant Wavelength	λ d	-----	624	-----	nm	If=20mA
Spectrum Radiation Bandwidth	△ λ	-----	20	-----	nm	If=20mA
Forward Voltage	Vf	-----	2.0	2.4	V	If=20mA
Reverse Current	Ir	-----	-----	10	μ A	Vr=5V



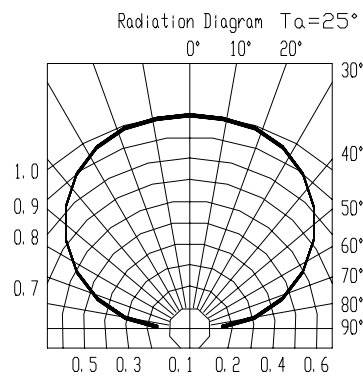
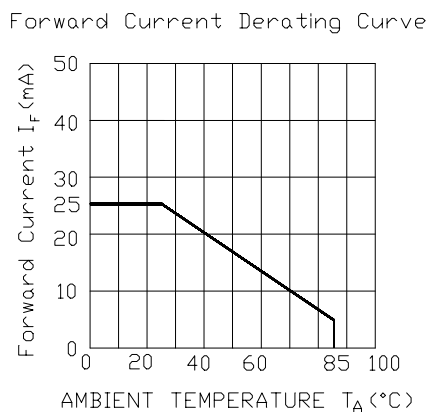
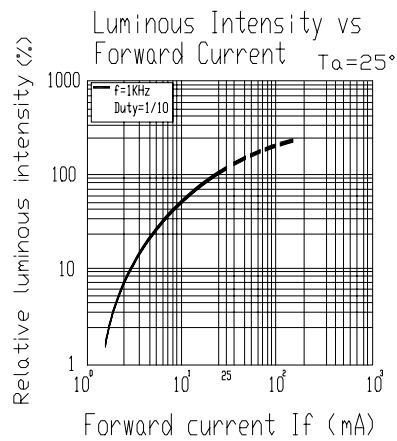
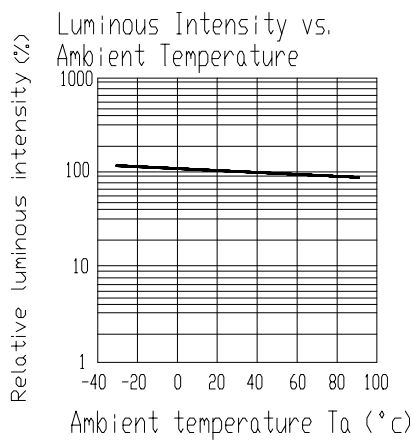
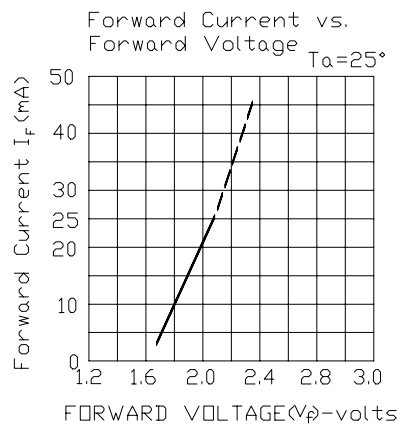
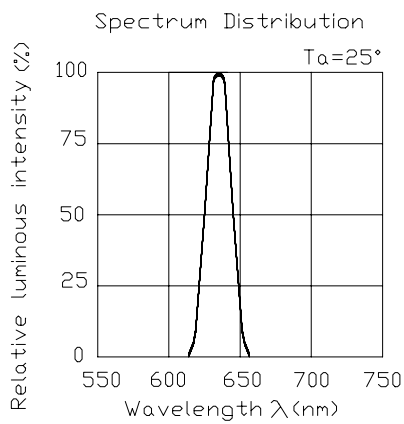


MODEL NO: 15-21SURC/S530-A5/TR8  
**1206 Package Chip LEDs**

Device Number : DSE-151-087 REV. 1.0

ECN : \_\_\_\_\_ Page: 5/8

**Typical Electro-Optical Characteristic Curves**





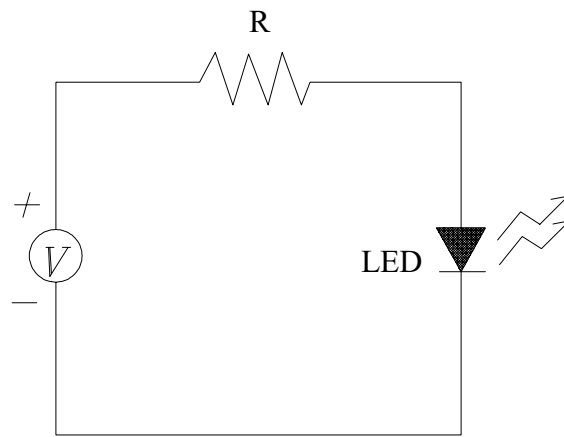
MODEL NO: 15-21SURC/S530-A5/TR8

Device Number : DSE-151-087 REV. 1.0

**1206 Package Chip LEDs**

ECN : ..... Page: 6/8

### ■ Test Circuit



### ■ Precautions For Use

#### 1. Over-current-proof

Customer must apply resistors for protection , otherwise slight voltage shift will cause big current change ( Burn out will happen ).

#### 2. Storage time

2.1 The operation of temperature and R.H. are :  $5^{\circ}\text{C} \sim 35^{\circ}\text{C}$  , R.H.60%.

2.2 Once the package is opened, the products should be used within a week.

Otherwise, they should be keeping in a damp proof box with desiccating agent. Considering the tape life , we suggest our customers to use our products within a year(from production date).

2.3 If opened more than one week in an atmosphere  $5^{\circ}\text{C} \sim 35^{\circ}\text{C}$  , R.H.60%, they should be treated at  $60^{\circ}\text{C} \pm 5^{\circ}\text{C}$  for 15hrs.

2.4 When you discover that the desiccant in the package has a pink color (Normal = blue) , you should treat them in the same conditions as 2.3.



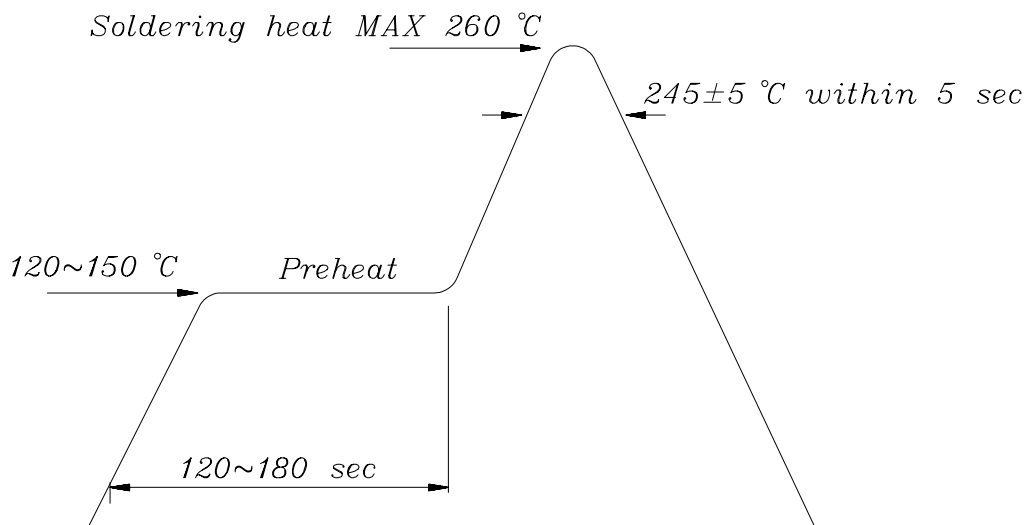
MODEL NO: 15-21SURC/S530-A5/TR8  
**1206 Package Chip LEDs**

Device Number : DSE-151-087 REV. 1.0

ECN : \_\_\_\_\_ Page: 7/8

### ■ Soldering heat reliability ( DIP )

Please refer to the following figure :

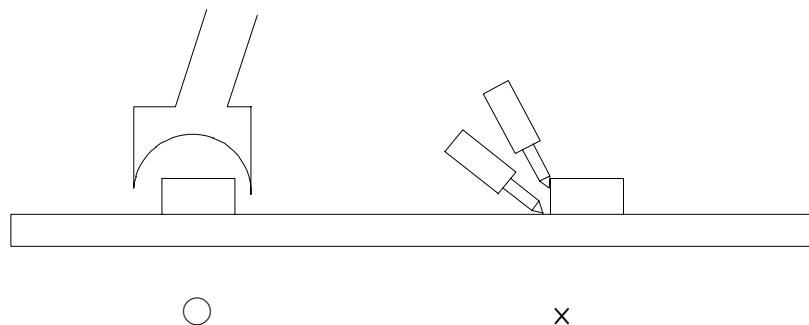


### ■ Soldering Iron

Basic spec is  $\leq 5$  sec when 260°C. If temperature is higher, time should be shorter (+10°C → -1sec). Power dissipation of iron should be smaller than 15 W , and temperature should be controllable. Surface temperature of the device should be under 230 °C .

### ■ Rework

1. Customer must finish rework within 5 sec under 260°C .
2. The head of iron can not touch copper foil.
3. Twin-head type is preferred.





MODEL NO: 15-21SURC/S530-A5/TR8

Device Number : DSE-151-087 REV. 1.0

**1206 Package Chip LEDs**

ECN : ..... Page: 8/8

■ Reflow Temp / Time :

