

Resistive Linear Position Transducer



- Measuring range 50mm – 600mm
- Long mechanical life 100.000.000 cycles
- Excellent repeatability
- Very low temperature drift
- Infinite resolution

Main Applications

Marble/ Stone Machineries, Textile Machineries, Transfer/ Hydraulic Machineries, Packing Machineries, Printing Machineries and General Automation Applications

Specifications

Mechanical stroke	50mm to 600mm
Linearity	± %0,05
Resolution	Infinite
Resistance output	5 Kohm or 10 Kohm
Resistance tolerance	± %20
Load resistance	Min. 10 Kohm
Repeatability	≤ %0.01
Mechanical life	100 * 10 ⁶ Cycles
Displacement speed	≤ 5 m/s
Permissible applied voltage	28 VDC max
Recommended cursor current	< 1 µA
Electrical connections	4 Pole connector
Case dimensions	33mm x 33mm
Case material	Anodized aluminium
Rod diameter	6mm
Rod material	Stainless steel
IP Degree	IP 65
Working temperature	- 20 / + 80 °C
Mechanical fixing	2 Ball joints

Dimensions

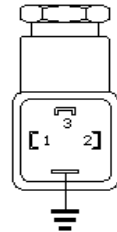
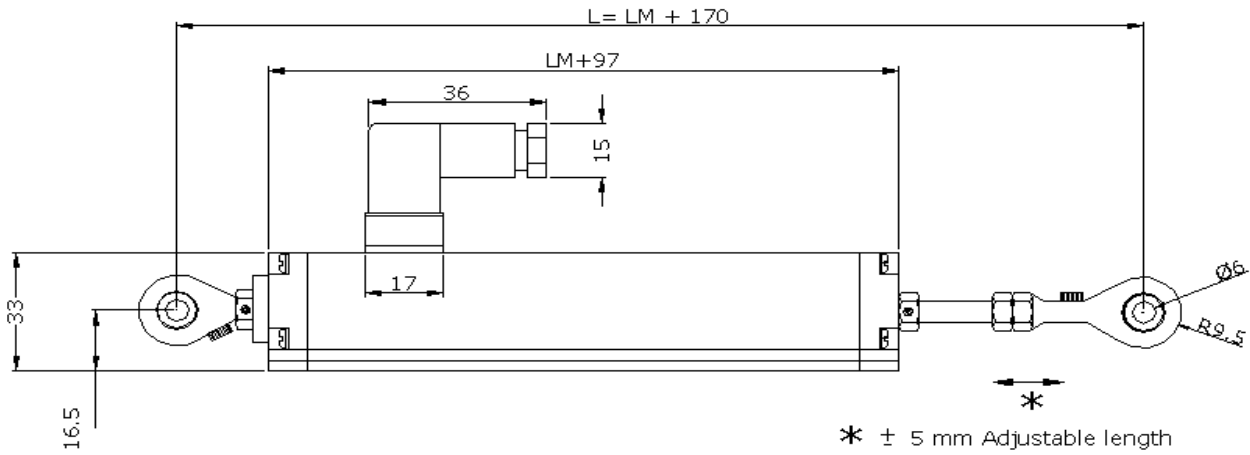
Model	LM	Mechanical stroke (MS)	Electrical measuring stroke (EMS)	Total length (L)
LPM	50	52mm	50mm	220mm
LPM	75	77mm	75mm	245mm
LPM	100	102mm	100mm	270mm
LPM	125	127mm	125mm	295mm
LPM	130	132mm	130mm	300mm
LPM	150	152mm	150mm	320mm
LPM	175	177mm	175mm	345mm
LPM	200	202mm	200mm	370mm
LPM	225	227mm	225mm	395mm
LPM	250	252mm	250mm	420mm
LPM	275	277mm	275mm	445mm
LPM	300	302mm	300mm	470mm
LPM	325	327mm	325mm	495mm
LPM	350	352mm	350mm	520mm
LPM	375	377mm	375mm	545mm
LPM	400	402mm	400mm	570mm
LPM	450	452mm	450mm	620mm
LPM	500	502mm	500mm	670mm
LPM	550	552mm	550mm	720mm
LPM	600	602mm	600mm	770mm

Ordering Procedure

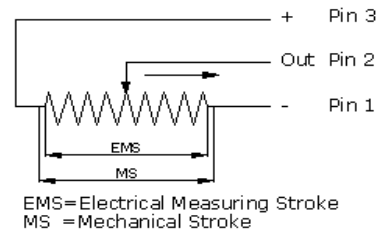
LPM <i>Model</i>	350 <i>Measurement Stroke</i>	D <i>Linearity Class</i>	5K <i>Kohm Value</i>
		D: 0,05 %	5K: 5 KΩ 10K: 10 KΩ

Resistive Linear Position Transducer

Mechanical Dimension

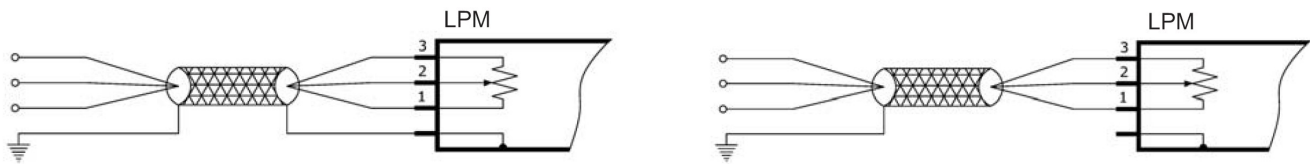
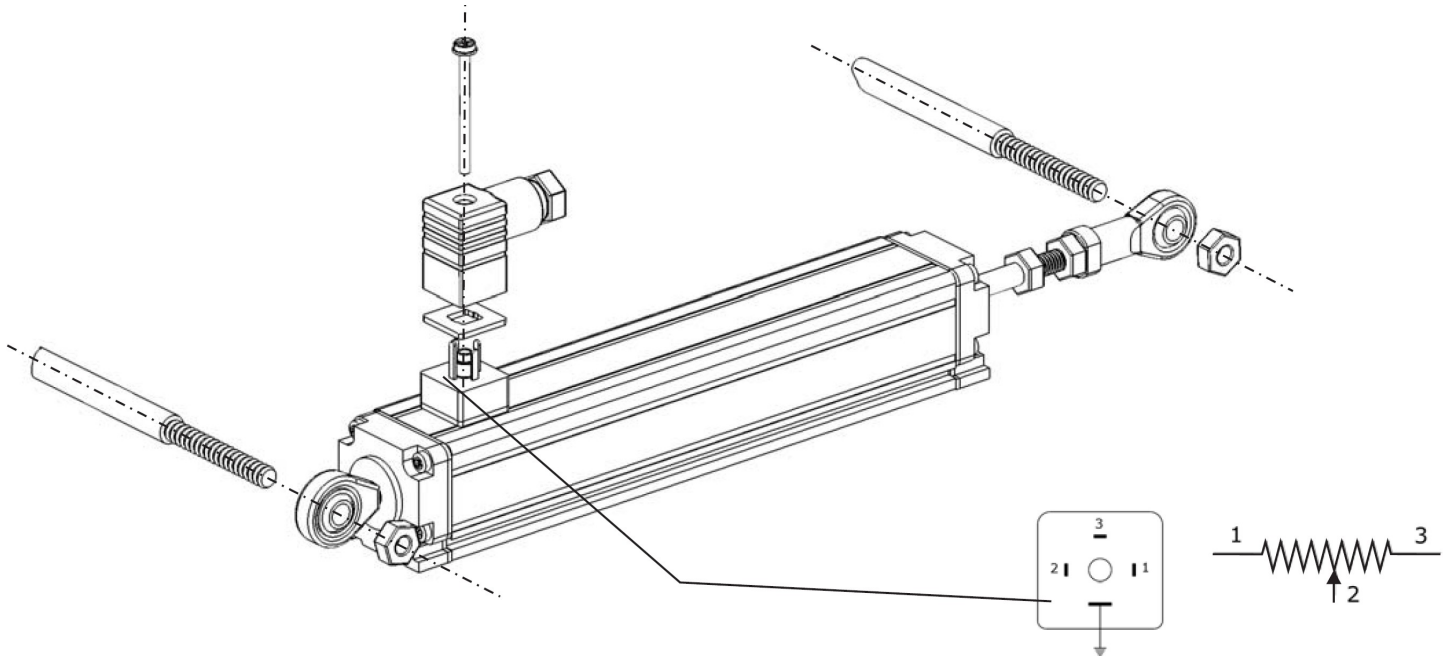


Electrical Connector



Resistive Linear Position Transducer

User Guide



Electrical connections.

- Warranty claims can only be valid if the unit is kept unopened. Opening any of the screws on the body will cancel all warranty claims.
- Users are responsible for any damage caused by misuse of the transducer.
- Users are reminded that wrong centering of the rod may cause permanent damage to the transducer and it would decrease the mechanical life of the transducer dramatically.