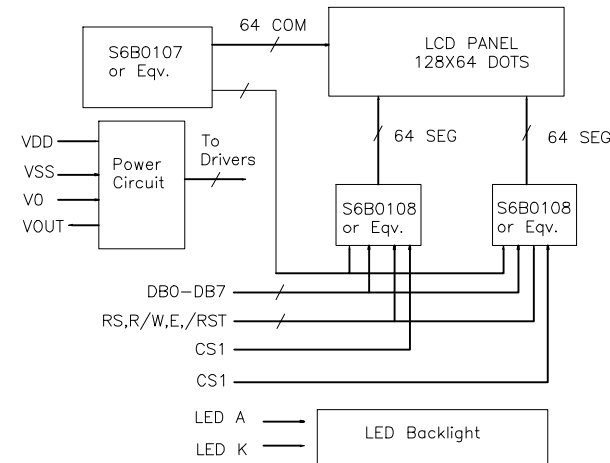
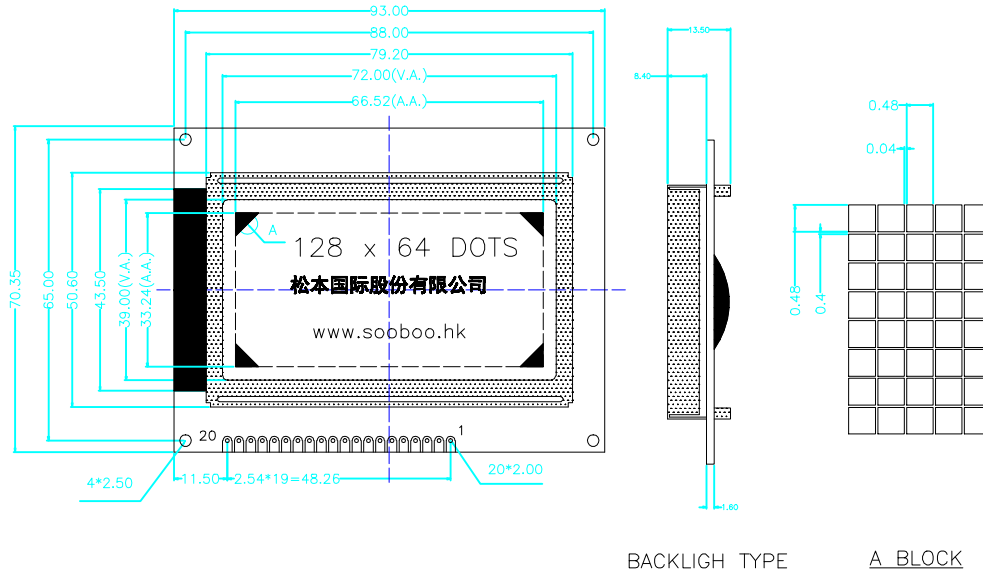


确认此型号所有图纸 签字确认:

GENERAL TOLERANCE: ±0.2



Pin Assignment	
1	Vss
2	VDD
3	Vo
4	RS
5	R/W
6	E
7	DB0
8	DB1
9	DB2
10	DB3
11	DB4
12	DB5
13	DB6
14	DB7
15	CS1
16	CS2
17	/RST
18	Vout
19	LED A
20	LED K

Absolute Maximum Ratings				
Item	Symbol	Min.	Max.	Unit
Supply Voltage (Logic)	VDD-VSS	-0.3	7.0	V
Supply Voltage (LCD)	VDD-VO	-0.3	19.0	V
Input Voltage	VI	-0.3	VDD+0.3	V
Operating Temp.	Topr	-20	70	°C
Storage Temp.	Tstg	-30	80	°C

Mechanical Data		
Item	Nominal Dimensions	Unit
Module Size(WxH)	93.0x70.0x10.5	mm
Viewing Area(WxH)	72.0x39.0	mm
Dot Pitch(WxH)	0.52x0.52	mm
Dot Size(WxH)	0.48x0.48	mm
Weight	Approx. 75	g

LED Backlight Specifications (Ta=25°C)				
Item	Symbol	Typ.	Max.	Unit
Forward Voltage	Vf	3.1	3.3	V
Forward Current	If	45	-	mA
LED Color		White		

Electrical Characteristics (VDD+5V)						
Item	Symbol	Test Condition	Min.	Typ.	Max.	Unit
Input High Voltage	VIH	--	2.0	--	VDD	V
Input Low Voltage	VIL	--	-0.3	--	0.8	V
Output High Voltage	VOH	I <sub>OH</sub> =-0.2mA	2.4	--	VDD	V
Output Low Voltage	VOL	I <sub>OL</sub> =1.2mA	0	--	0.4	V
Supply Current	I <sub>DD</sub>	VDD=5.0V	--	1.5	8.0	mA
LCD Driving Voltage	VDD-VO	Ta=25°C	--	4.6	--	V

SHEET: 1 OF 1

GENERAL TOL: ±0.20 MM UNITS: MM

CUS NO: MODULE NUMBER: SB12864A

DRAW BY: ZXM

CHK BY: LIQIN

APP BY: 88

DO NOT SCALE THIS DRAWING. PROJECTION

TEL: 755-33503277

FAX: 755-22145294

DATE: 1-NOV-1998

**松本国际股份有限公司**  
SOBBOO INTERNATIONAL CO., LTD