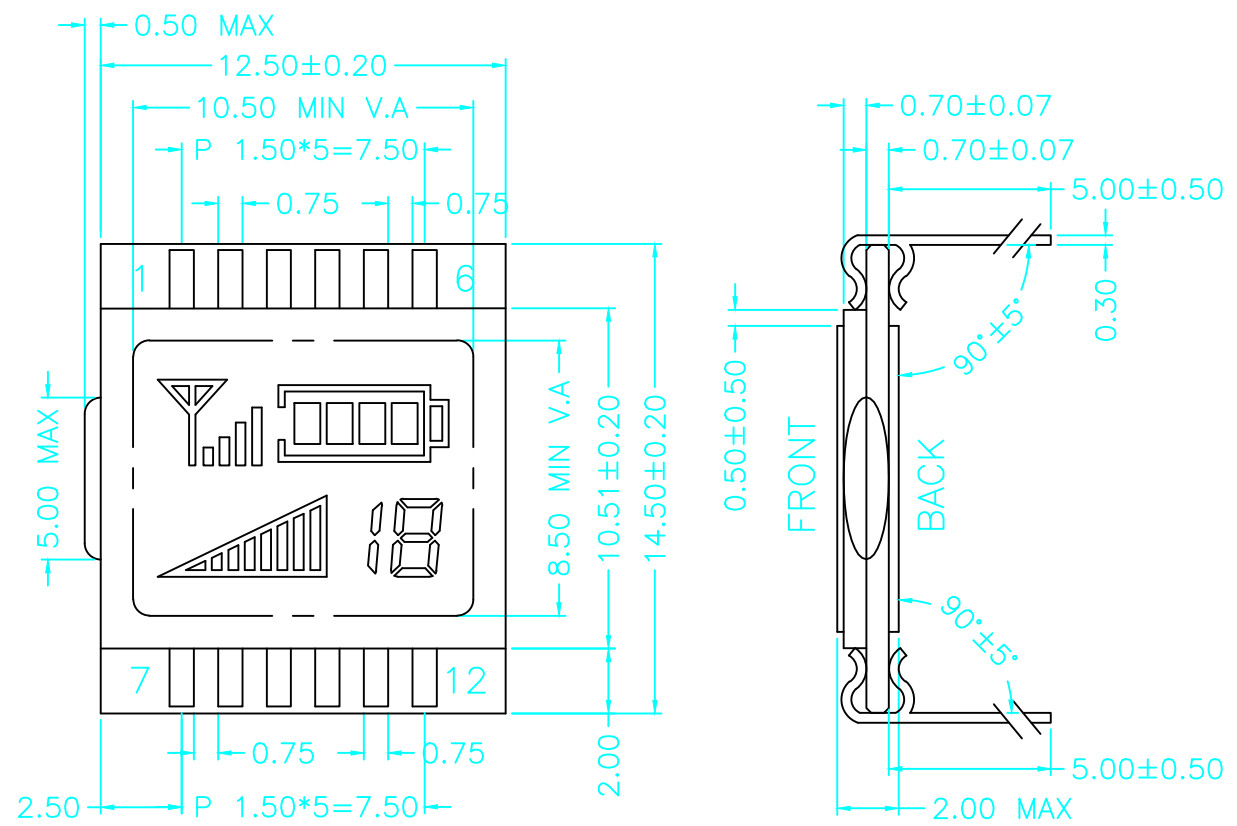


确认此型号所有图纸 签字确认: Autodesk

GENERAL TOLERANCE: ±0.2



Autodesk

Autodesk

**CHARACTERISTICS:**

- 1) OPERATING VOLTAGE: 3.0V
- 2) OPERATING TEMPERATURE: 0°C TO 50°C.
- 3) STORAGE TEMPERATURE: -10°C TO 60°C.
- 4) DRIVING METHOD: 1/2DUTY, 1/2BIAS.
- 5) DISPLAY TYPE: TN/POSITIVE/TRANSMISSIVE
- 6) VIEWING DIRECTION: 6 O'CLOCK.
- 7) CONNECTOR: PIN

SHEET: 1 OF 3			
GENERAL TOL: ±0.20 MM	UNITS MM		
CUS NO:		MODULE NUMBER:	
DRAW BY: XM		SD120620-A	
CHK BY: QIN			
100		DO NOT SCALE THIS DRAWING.	DATE: 20-JUN-2012