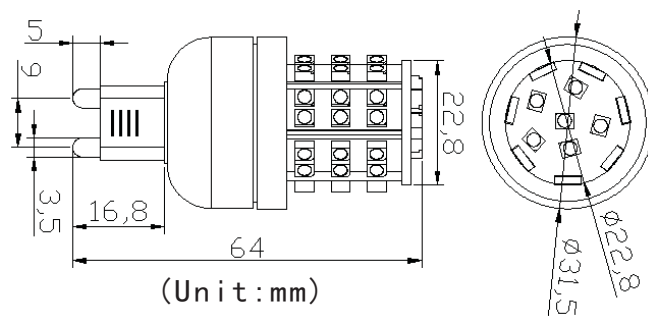


## PRODUCT TYPE

FOR-S000G90WW04-A48-XXX



## DESCRIPTION

G9 3528 48PCS AC85-265V White

### A Electronics And Optical Characteristics: Ta=25°C

Emitting Color	Forward Voltage Unit:v	Totality Luminous flux Unit:LM	Single LED Intensity Unit:mcd	Dominant Wavelength Unit:nm	Viewing Angle Unit:deg	Color Temperature Unit:K
NW	85-265	280	4000-4500	---	360	4000-5000
WW	85-265	280	4000-4500	---	360	2700-3500
CW	85-265	280	4000-4500	---	360	6000-7000
Test Condition	Test Voltage: 12V			Current: 390mA±10%		Power: 4.68W
IR max: 10 μA/per chip			VR= 3.3V/per chip			

### B Absolute Maximum Ratings AT Ta=25°C

PARAMETER	MAX	UNIT
Continuous Forward Current	20	mA/per chip
Peak Forward Current (1/10 Duty Cycle 0.1ms Pulse Width)	100	mA/per chip
Reverse Voltage	5	V/per chip
Operating Temperature Range	-30°C to +75°C	
Storage Temperature/Humidity Range	-40°C to +100°C (/40%to70%)	

Lead Solder Temperature 1.6mmBelow Package 260°C For 5 seconds

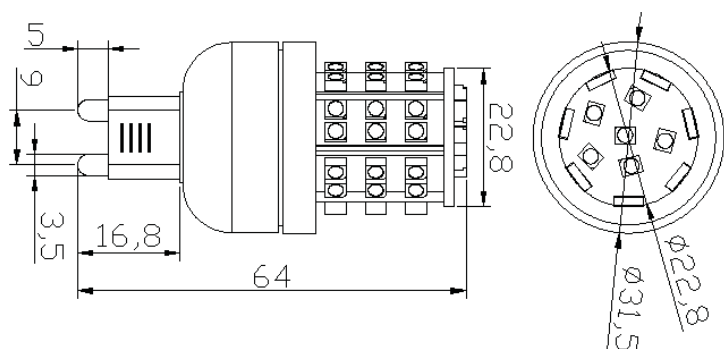
Usage:It's suitable for family decoration by beautiful appearance, high optical efficiency,low output heat.  
The most important that it doesn't provoke mosquito, moth and pest.

Advantage:This product uses SMD LED with downy light, high luminous efficient and Environmental protection.  
It also has 360degree emitting light without infrared. It's very safty home power with isolation DC power supply!

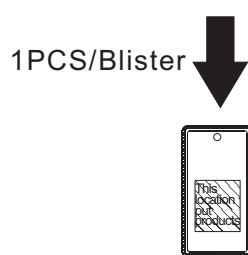
## PACKAGE

FOR-S000G90WW04-A48-XXX

Package Dimensions(Unit:mm) :

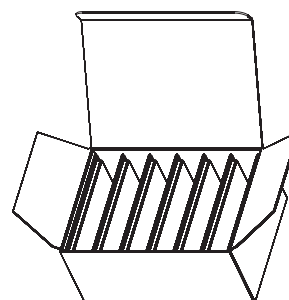


- Packaging: 63 #Blister Card(1 pcs)
- Net weight: 23g
- Gross weight: 31.9g
- Box size: 210\*150\*92mm
- Carton size: 440\*320\*310mm
- Packaging Quantity: 72set (72pcs)

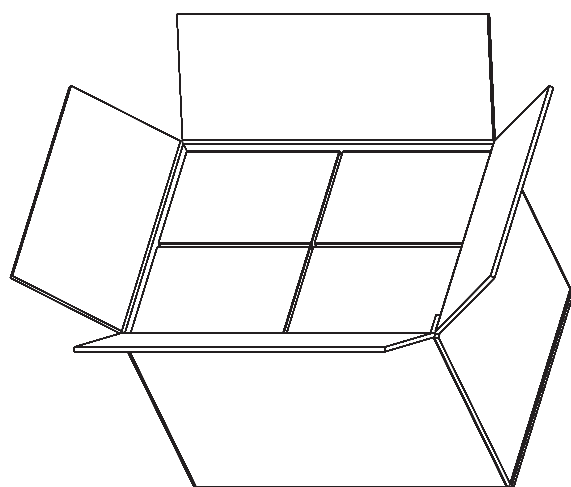


Blister

6Blister/ box



box size(L210\*W150\*H92MM)

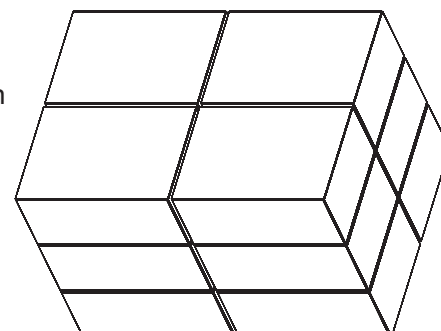


Carton(L440\*W320\*H310MM)



12 boxes

12 boxes/carton



## CONTACT US