

**kHz RANGE CRYSTAL UNIT  
LOW PROFILE SMD**

**MC - 146 / 156**

- Frequency range : 32.768 kHz (32 kHz to 100 kHz)
- Thickness : 1.4 mm Max. (MC-146)  
1.5 mm Max. (MC-156)
- Overtone order : Fundamental
- Applications : Small communications devices
- Lead(Pb)-free : High melting temperature type solder  
(Pb85 %) exempted by RoHS directive.



Actual size

MC-146

MC-156

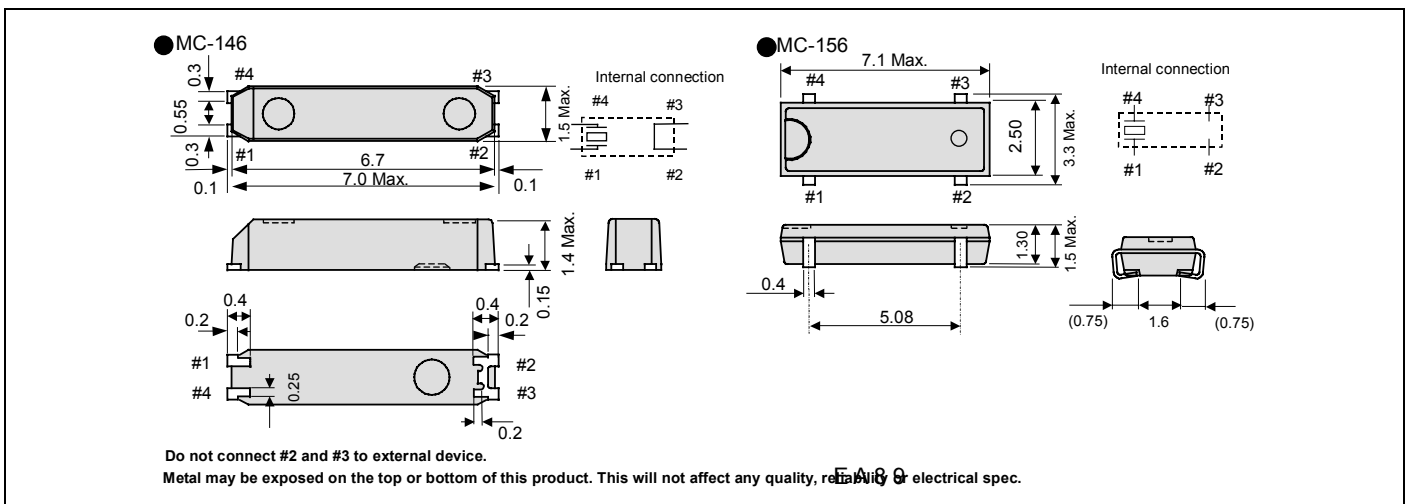


**Specifications (characteristics)**

Item	Symbol	Specifications		Remarks
Nominal frequency range	f	32.768 kHz	32 kHz to 100 kHz	Please contact us for inquiries regarding available frequencies
Temperature range	Storage temperature	-55 °C to +125 °C		Stored as bare product after unpacking
	Operating temperature	-40 °C to +160°C		
Level of drive	DL	1.0 μW Max.		Operating Drive level 0.5 μW Max.
Frequency tolerance (standard)	f_tol	± 20 × 10 <sup>-6</sup> , ± 50 × 10 <sup>-6</sup>	± 50 × 10 <sup>-6</sup> , ± 100 × 10 <sup>-6</sup>	+25 °C, DL=0.1 μW
Turnover temperature	Ti	+25 °C ± 5 °C		
Parabolic coefficient	B	-0.04 × 10 <sup>-6</sup> / °C <sup>2</sup> Max.		
Load capacitance	CL	7 pF, 12.5 pF		Please specify
Motional resistance (ESR)	R <sub>1</sub>	65 kΩ Max.	65 kΩ to 25 kΩ	
Motional capacitance	C <sub>1</sub>	1.9 fF Typ.	2.5 fF to 0.6 fF	
Shunt capacitance	C <sub>0</sub>	0.8 pF Typ.	1.2 pF to 0.5 pF	
Frequency aging	f_age	±3 × 10 <sup>-6</sup> / year Max.		+25 °C, First year

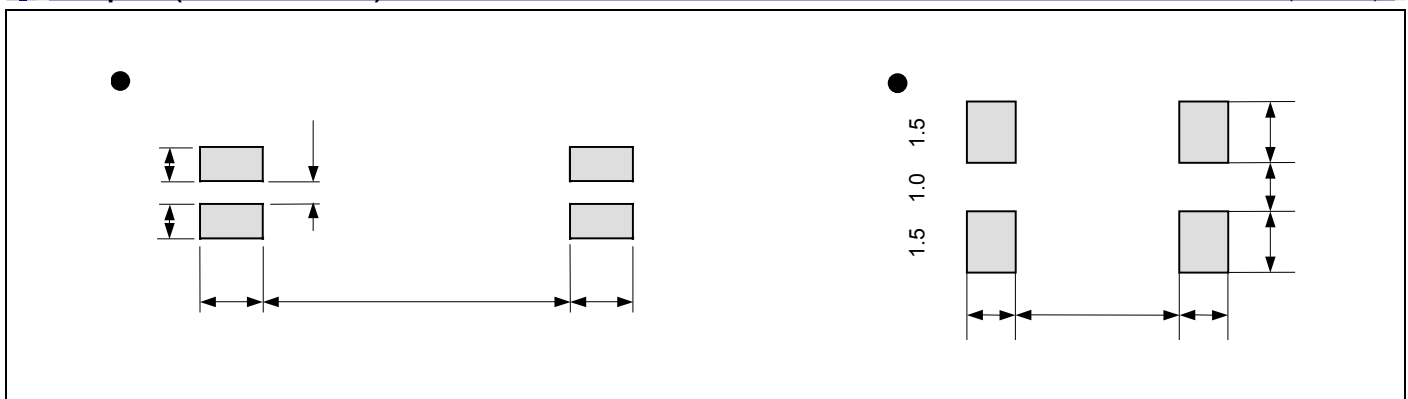
**External dimensions**

(Unit:mm)



**Footprint (Recommended)**

(Unit:mm)



MC-146

MC-156