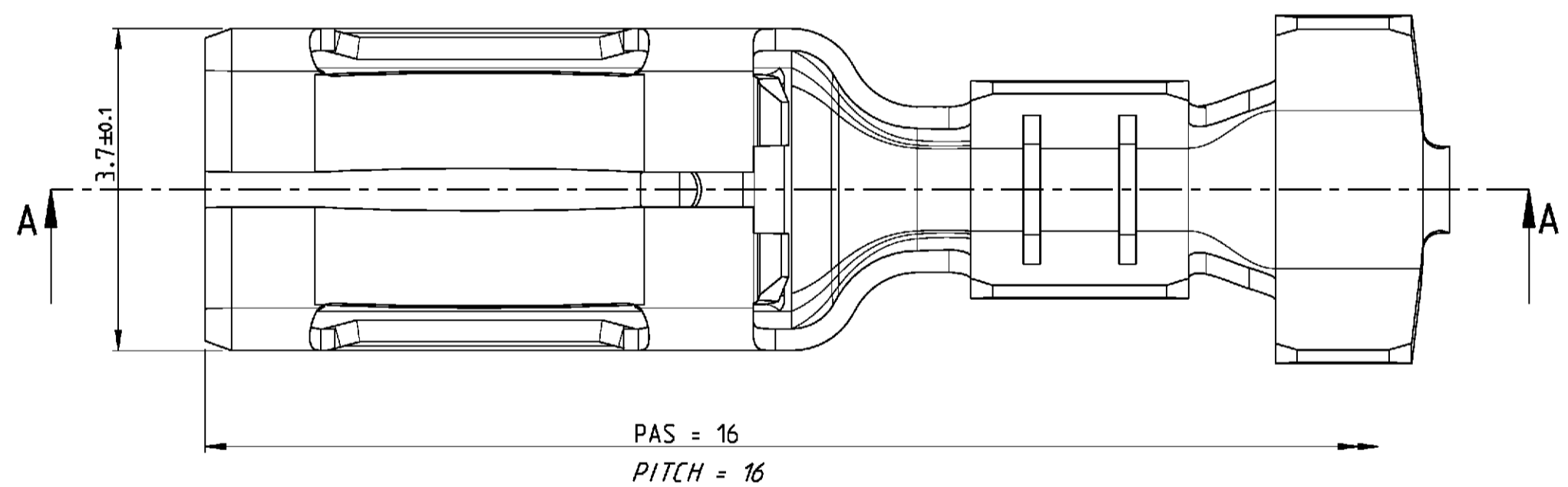
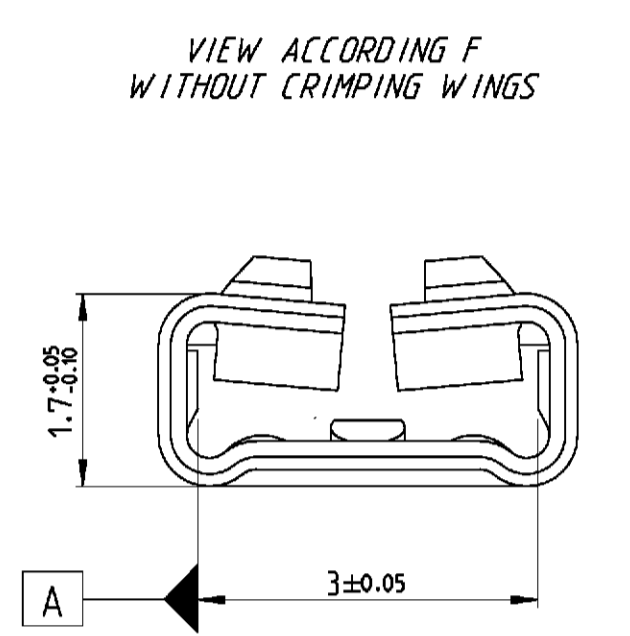
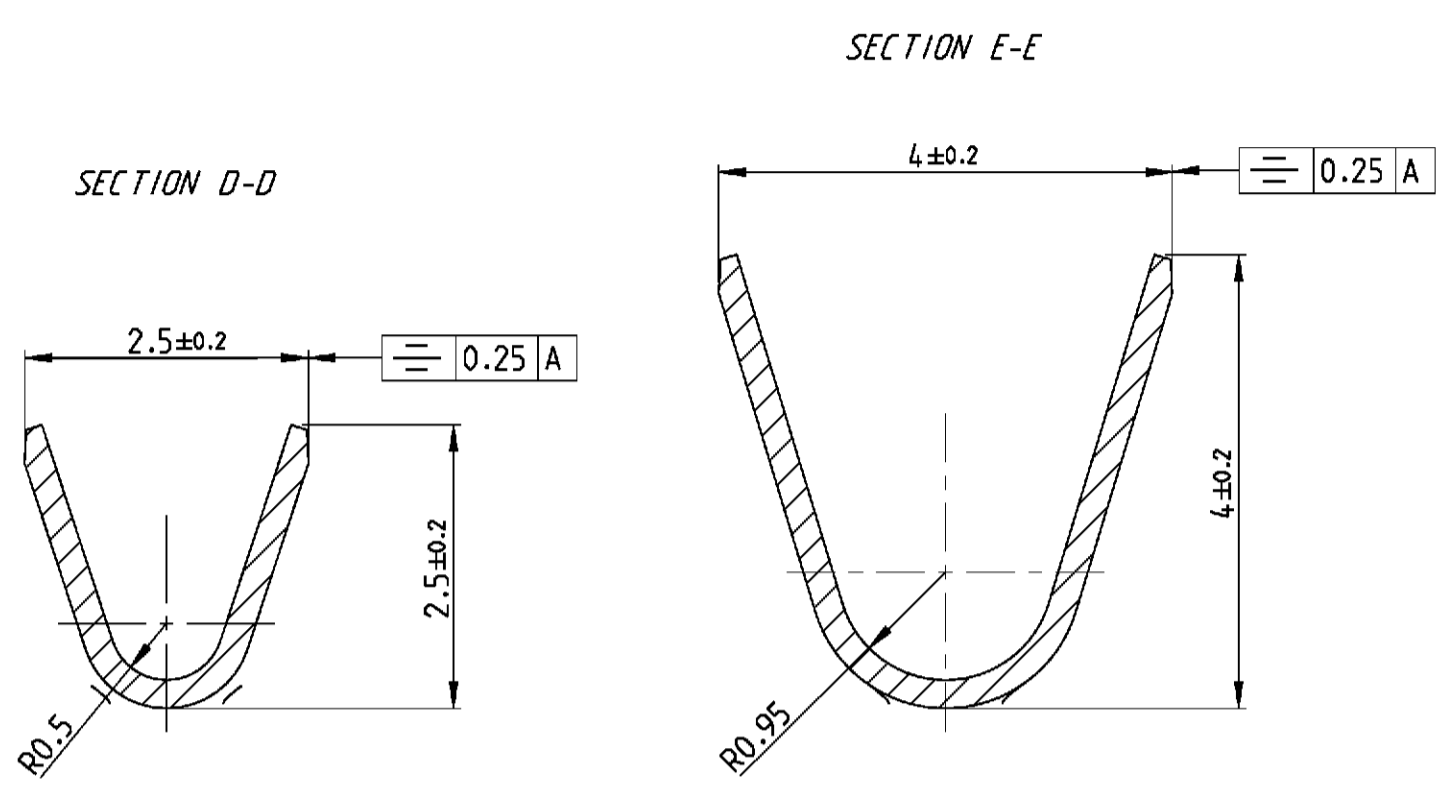
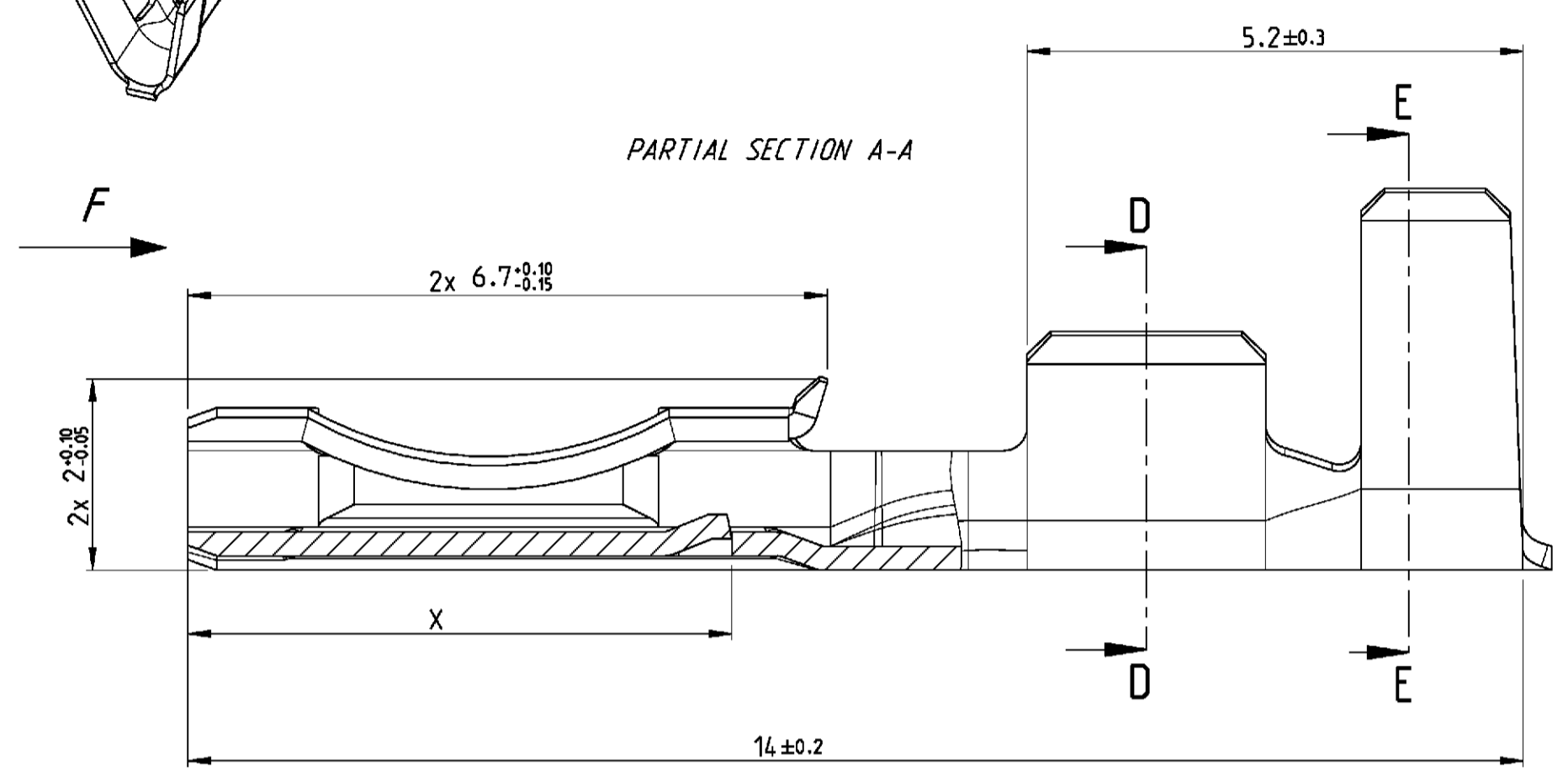
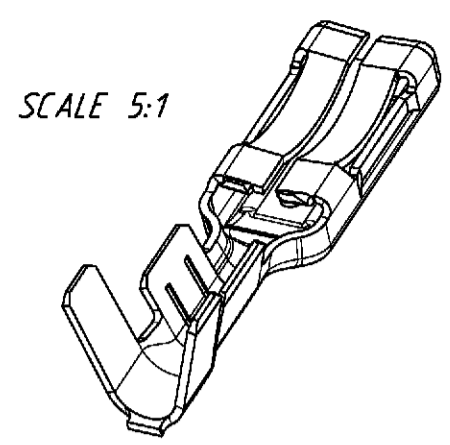


THIS DRAWING IS UNPUBLISHED. RELEASED FOR PUBLICATION 2011
 © COPYRIGHT 2011 ALL RIGHTS RESERVED.

REVISIONS				DATE	DWN	APVD
P	LTR	DESCRIPTION				
D		DRAWING IN TE STANDARD	31AUG10	PFs	JDf	
D1		REVISED PER ECO-11-005150	23MAR11	RK	HMR	
E		ADD SPECIAL FORM FOR ALL PNs	04JUL11	PFs	JDf	



CUSTOMER PART NUMBER	TE PART NUMBER	FORM	STANDARD	MATERIAL THICKNESS = 0.25	SURFACE FINISH	X	1st INSERTION WITHOUT SPIGOT	1st INSERTION	1st EXTRACTION	AVERAGE	MINI ALONE	10th EXTRACTION FORCES (DIN)
1-1544545-2	0.8	D	DIN	BRASS CuZn30	PRE-TINNED 1 TO 3μ	3.7	≥5	≤15	≥25	≥9	≥5	≥6
1-1544545-1	0.5	C										
1-1544545-0	0.8	D										
1544545-9	0.5	C	CEI	STEEL XC18	POST-Ni 3 TO 6μ	5.7	≥5	≤15	≥25	≥9	≥5	≥6
1544545-8	0.8	B										
1544545-7	0.5	A										
1544545-6	0.5	A	CEI	BRONZE CuSn4P	PRE-TINNED 1 TO 3μ	5.7	≥5	≤15	≥25	≥9	≥5	≥6
1544545-5	0.8	B										
1544545-4	0.5	A										
1544545-3	0.8	B	CEI	BRASS CuZn30	PRE-TINNED 1 TO 3μ	5.7	≥5	≤15	≥25	≥9	≥5	≥6
1544545-2	0.8	B										
1544545-1	0.5	A	CEI	BRASS CuZn30	PRE-TINNED 1 TO 3μ	5.7	≥5	≤15	≥25	≥9	≥5	≥6

SPECIAL ACTIVE FORM, IN ACCORDANCE WITH STANDARD AND TAB THICKNESS: SECTION A-A, SCALE 15:2

FORM "A"	FORM "B"	FORM "C"	FORM "D"

THIS DRAWING IS A CONTROLLED DOCUMENT.

DWN P.FLORES 31AUG10
 CHK E.SAPET 31AUG10
 APVD J.DAHER 31AUG10

TE Connectivity

2.8 MM FEMALE TERMINAL STANDARDS CEI AND DIN WIRE RANGE 0.5 TO 1 SQUARE MM

SIZE A2 CAGE CODE 00779 DRAWING NO C-1544545

SCALE 15:1 SHEET 1 OF 1 REV E