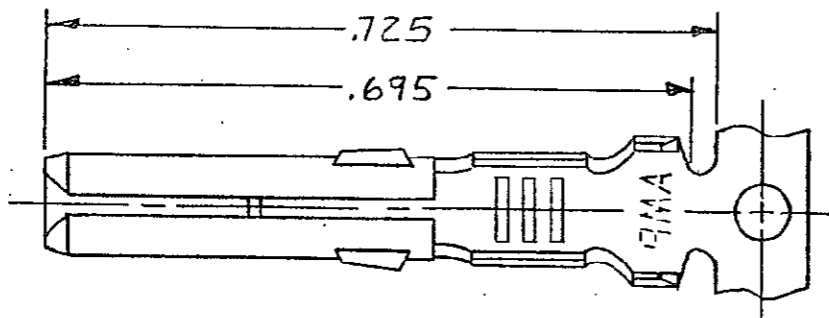
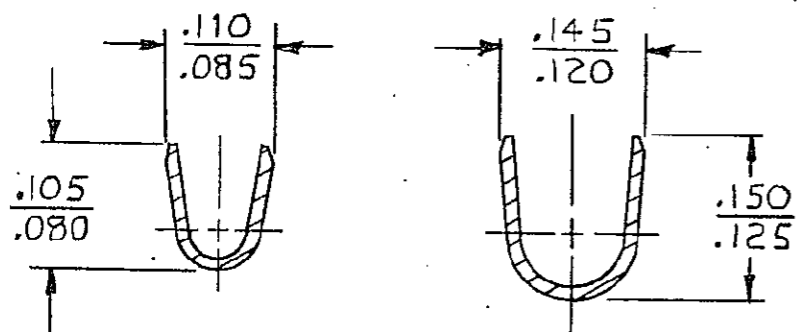
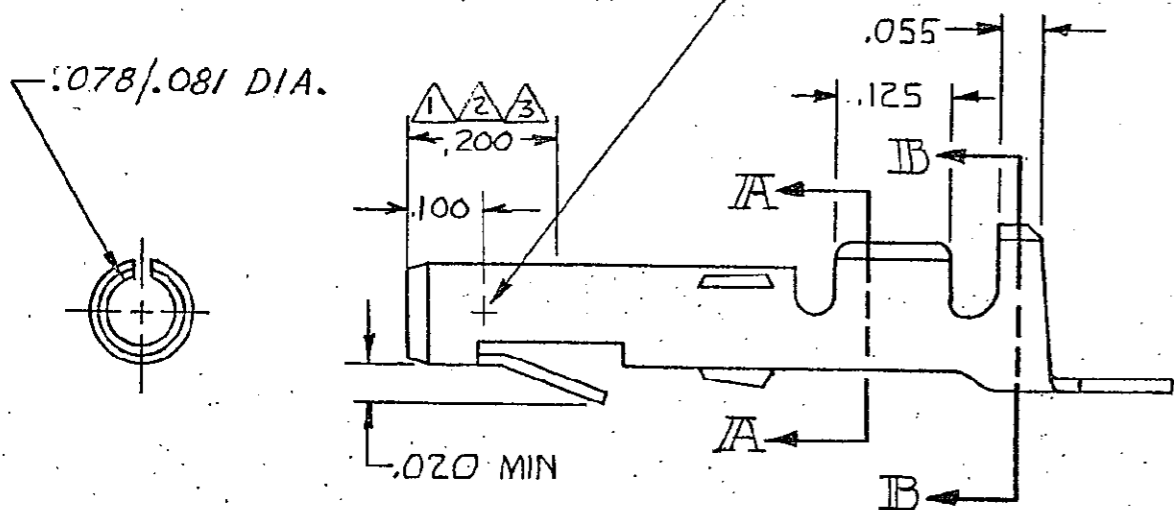


© COPYRIGHT — BY —

		1		LOC	CM	DIST	53	
REVISIONS								
P	F	ZONE	LTR	DESCRIPTION			DATE	APPROVED
			AB1	REVISED PER ECO-11-005294			5APR11	HMR



POINT OF MEASUREMENT INSIDE OF RECEPTACLE



SECTION A-A

SECTION B-B

- 1 NICKEL ON ENTIRE TERMINAL WITH .000030 GOLD OVER INSIDE OF MATING AREA AND WIRE BARREL.
- 2 GOLD FLASH OVER NICKEL ON ENTIRE TERMINAL WITH .000030 GOLD OVER MATING AREA.
- 3 NICKEL ON ENTIRE TERMINAL WITH .000030 GOLD OVER INSIDE OF MATING AREA.

APPLICATOR TYPE	FINISH	MATERIAL	PART NO
MINI	GOLD 3	.012 BRASS	61314-7
	GOLD 3	PH. BRZ.	-6
	GOLD 1	BRASS	-5
	PRE-TIN	PH. BRZ	-4
	—	PH. BRZ.	-3
	—	BRASS	-2
MINI	PRE-TIN	.012 BRASS	61314-1

UNLESS OTHERWISE SPECIFIED DIMENSIONS ARE IN INCHES. TOLERANCES ON: DECIMALS ±.015 ANGLES ±		CONTRACT NO		TE Connectivity	
MATERIAL SEE TABLE		DR <i>M. FEHER</i> 11-30-79			
FINISH SEE TABLE		CHK <i>D. S. Heide</i> 12/11/79		NAME SOCKET, COMMERCIAL MATE-N-LOK™	
		APPD <i>R. Polach</i> 12/12/79		DRAWING NO 61314	
		WIRE RANGE 24-18 AWG		SIZE B	
		INSULATION DIA .100 MAX		CODE IDENT NO 00779	
		SCALE 5-1		SHEET 1 OF 1	