

FS-9 Series Compact Footswitches

Features

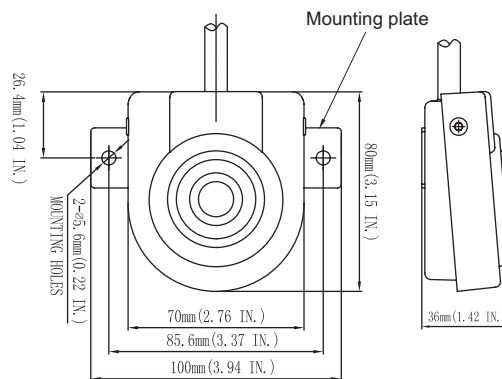
- Robust zinc die cast body or fiber reinforced plastic
- Four Switch ratings available:
 - 10A (1/2HP) 125/250V AC
 - 15A 125/250/480V AC
 - 20A, 1HP/125VAC, 2HP/250VAC
 - 25A, 1HP/125VAC, 2HP/250VAC
- Operating temperature range: -20°C to +80°C (-4°F to + 176°F)
- UL/cUL approved (E321073)

Selection Guide:

FS91	-	10	-	M	-	P	-	8-18/3
		Micro switches		Enclosure Type		Option #1		Wiring Information e.g. 8 ft 18AWGx3
		10: 10A		Blank: Fiber reinforced Plastic		P: Supplied with 3 prong series plug		
		15: 15A		M: Zinc die cast		G: with Protective Guard		
		20: 20A				K: Gold plated contact		

Dimensions:

FS91-20



FS91G-20

