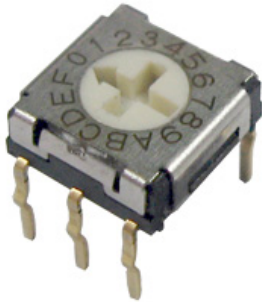
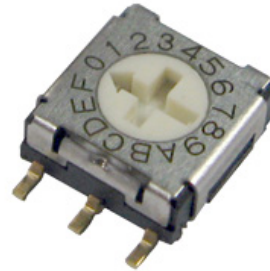


**ERD7 SERIES
MINIATURE SIZE □7*3 ROTARY SWITCH**



ERD7xxASxZ



ERD7xxAMxZ

FEATURES

- Outer dimension 7.2mm square, 3.0mm high on board for through hole type, surface mounting type, and through hole reflow type.
- Positions and switch code can be identified.
- Gold plated contact area ensures reliable electric continuity for micro current.
- Pin-out compatible with most of current equivalents.

SPECIFICATIONS

1.ELECTRICAL

● Contact rating	
Max. switching load	100mA, 5VDC
Min. switching load	10 μ A, 5VDC
● Contact resistance	Initial: 200mΩ Max.
● Insulation resistance	100MΩ Min. at 100VDC
● Dielectric strength	250VAC rms. for 60 seconds

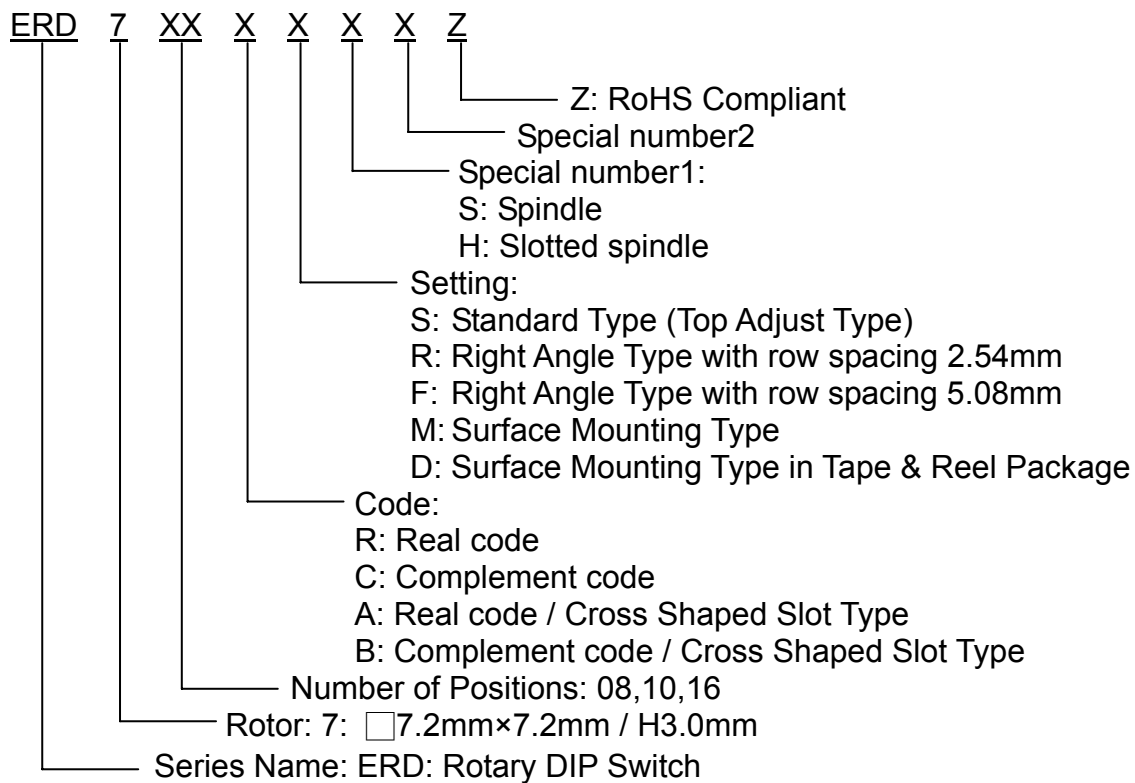
2.MECHANICAL and ENVIRONMENTAL

● Temperature rating	
operation	-25°C~+70°C
storage	-25°C~+85°C
● Operation force	510gf-cm Max.
● Mechanical Life	10,000 step.

INTRODUCTION to ECE ROTARY DIP SWITCH

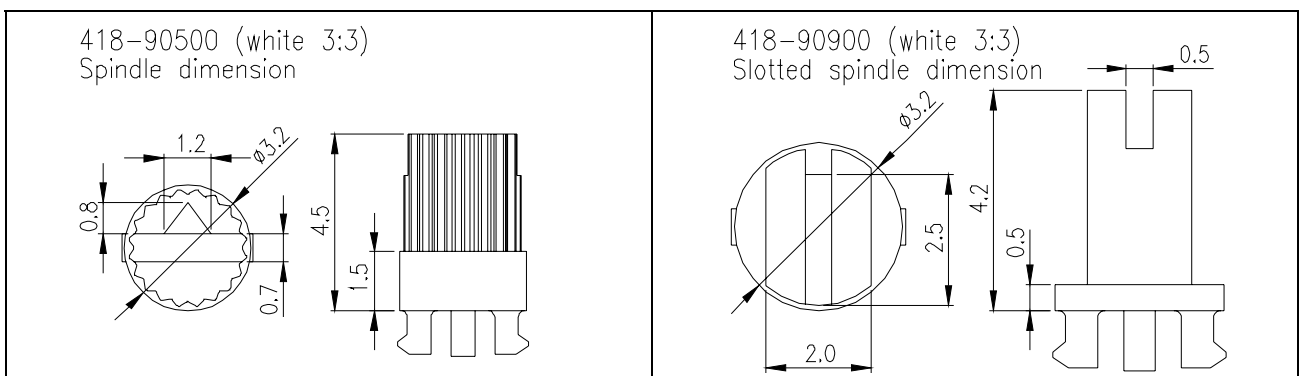
SIZE	POSITIONS	CODE	PIN OUT	ROTOR	TYPE	PART NUMBER
7x7	08,10,16	REAL, COMPLEMENT	3:3	FLAT	STANDARD	ERD7xxxSxx
					RIGHT ANGLE	ERD7xxxRxx ERD7xxxFxx
					SMT	ERD7xxxMxx
					SMT IN T&R	ERD7xxxDxx

PART NUMBERING SYSTEM



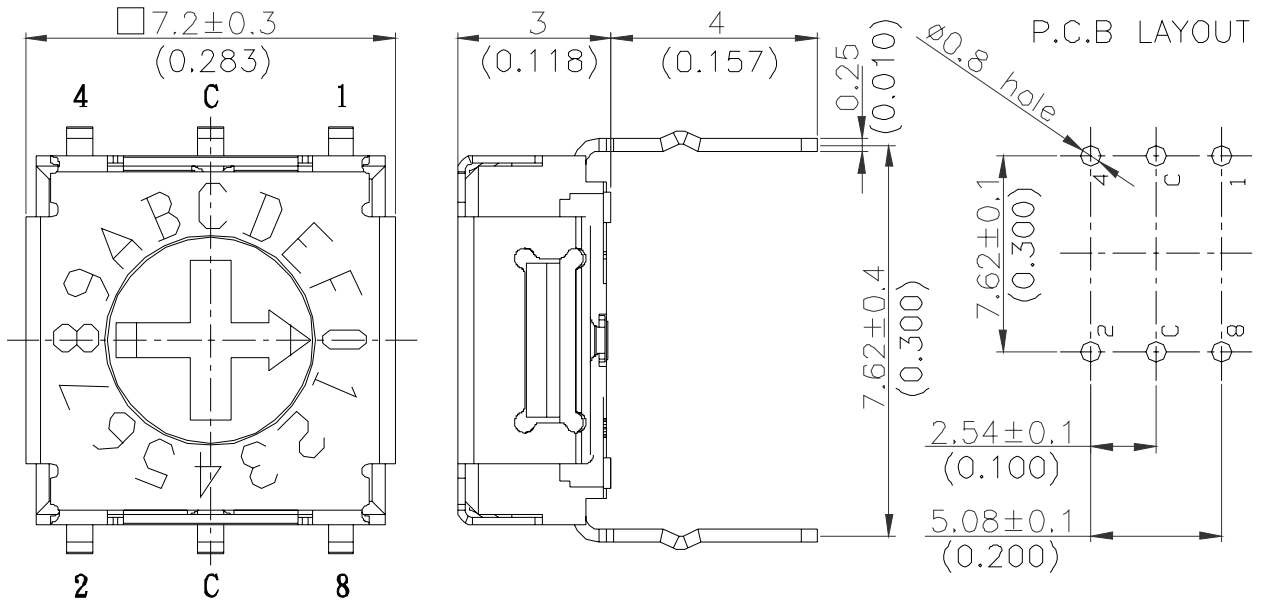
OPTIONS

1. Shaft (For Cross Shaped Slot Type Only)

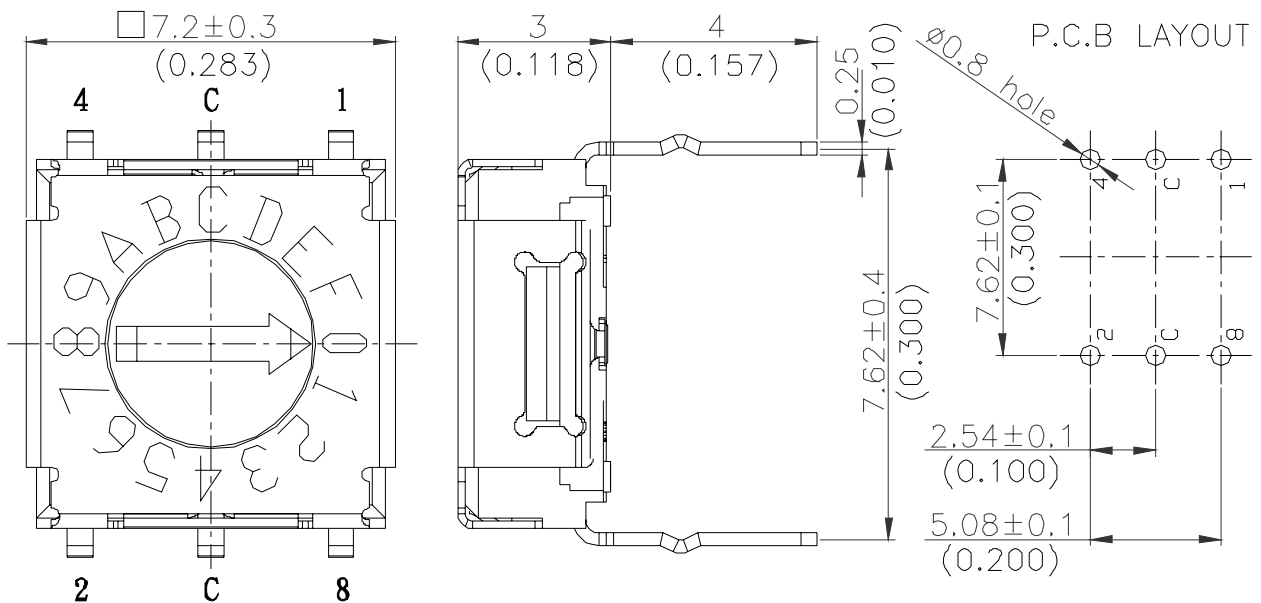


■ DIMENSIONS AND CIRCUITRY

DIMENSIONS Unit:mm(inch)
 ERD7XXASXZ/ERD7XXBSXZ SERIES

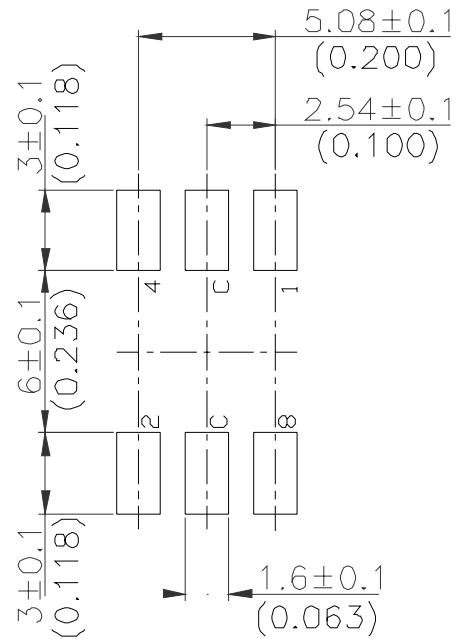
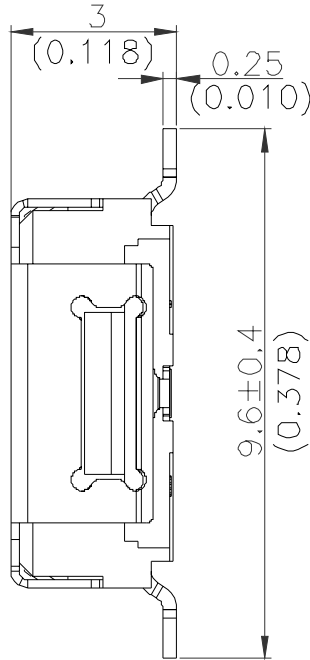
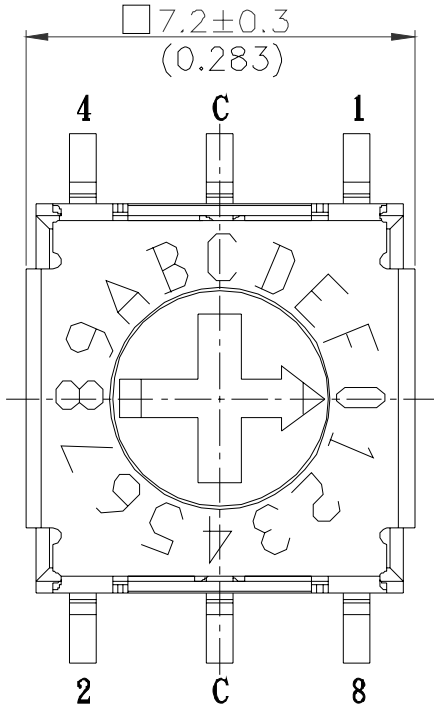


DIMENSIONS Unit:mm(inch)
 ERD7XXRSZ/ERD7XXCSZ SERIES



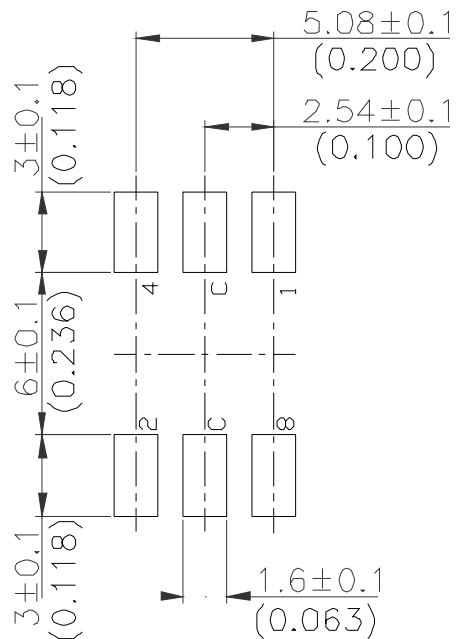
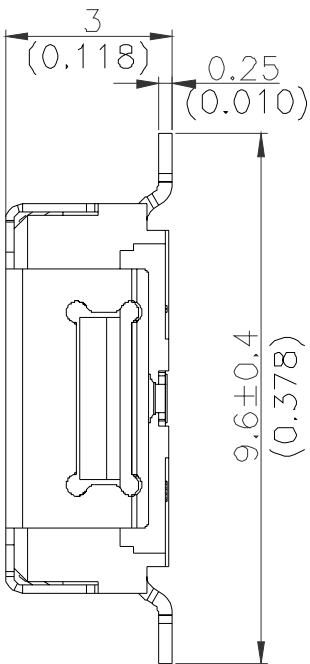
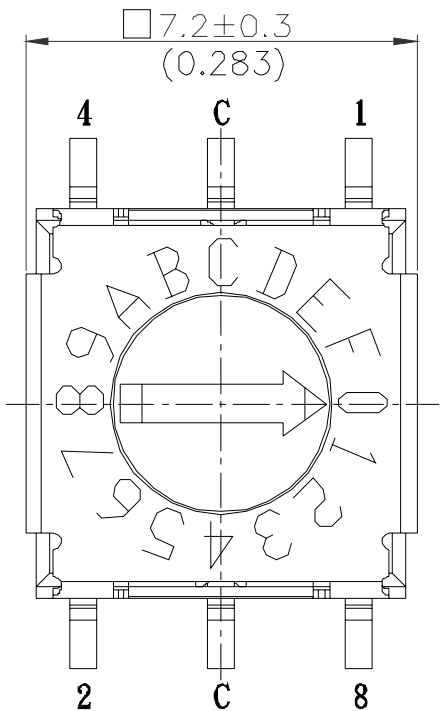
DIMENSIONS Unit:mm(inch)
ERD7XXAMXZ/ERD7XXBMXZ SERIES

P.C.B LAYOUT

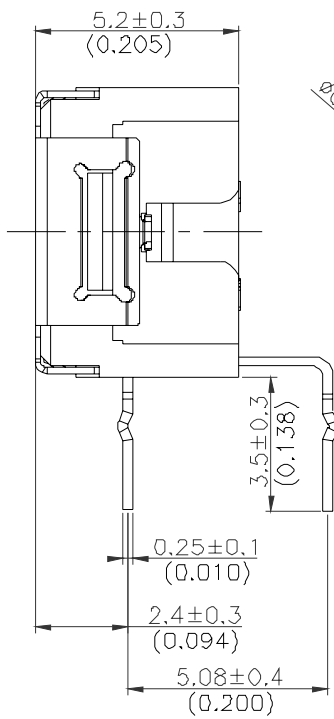
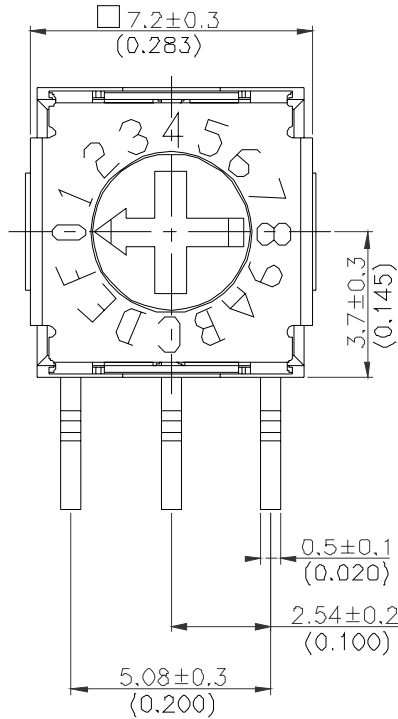


DIMENSIONS Unit:mm(inch)
ERD7XXRMZ/ERD7XXCMZ SERIES

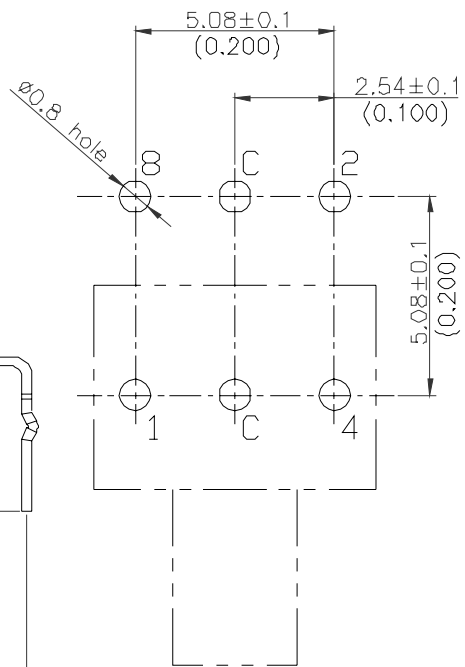
P.C.B LAYOUT



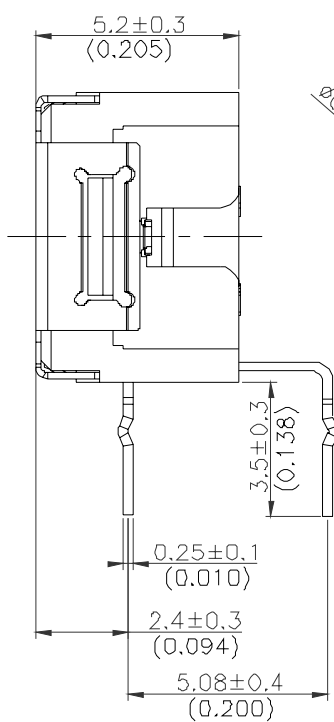
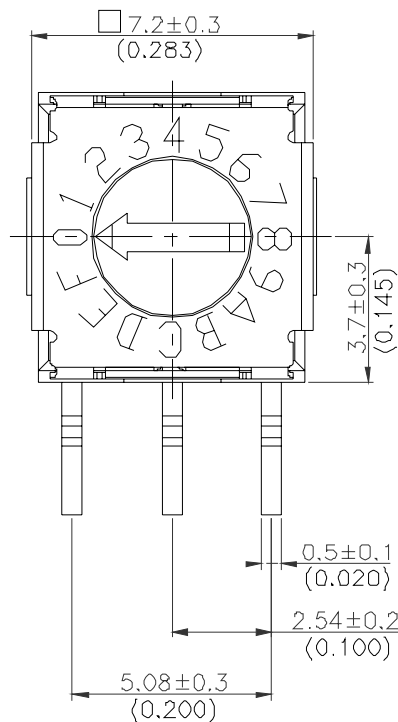
DIMENSIONS Unit:mm(inch)
ERD7XXAFXZ/ERD7XXBFXZ SERIES



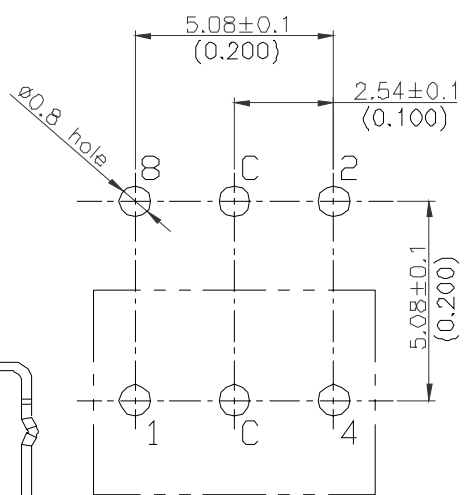
P.C.B LAYOUT (TOP VIEW)



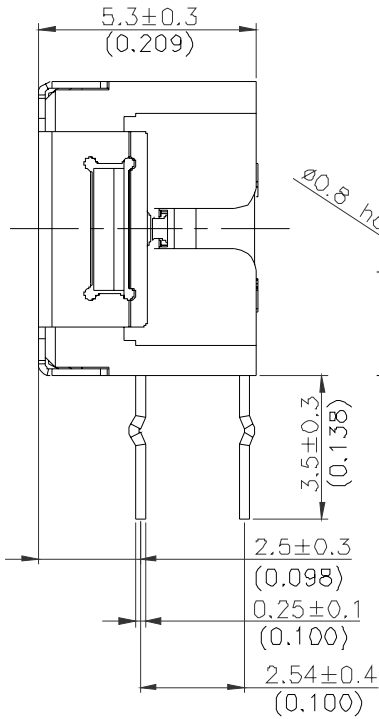
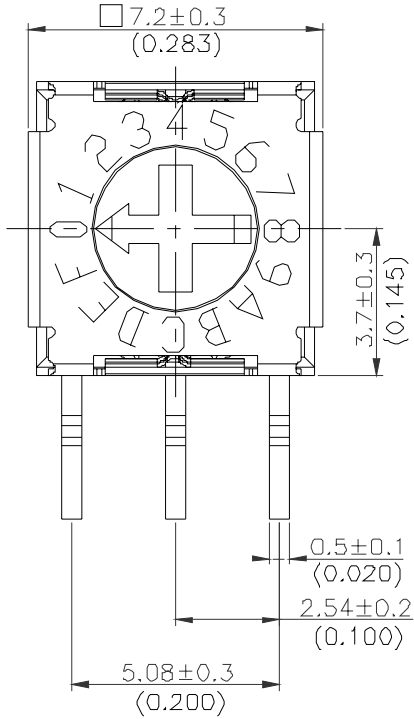
DIMENSIONS Unit:mm(inch)
ERD7XXRFZ/ERD7XXCFZ SERIES



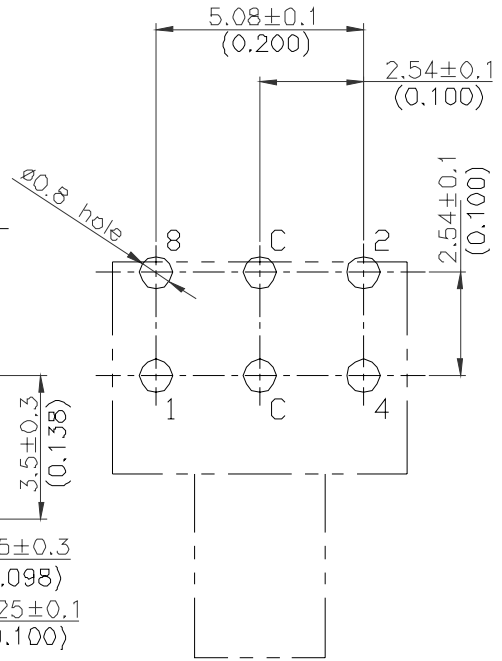
P.C.B LAYOUT (TOP VIEW)



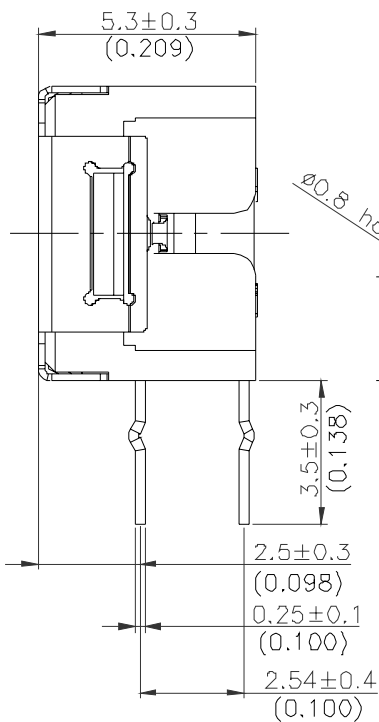
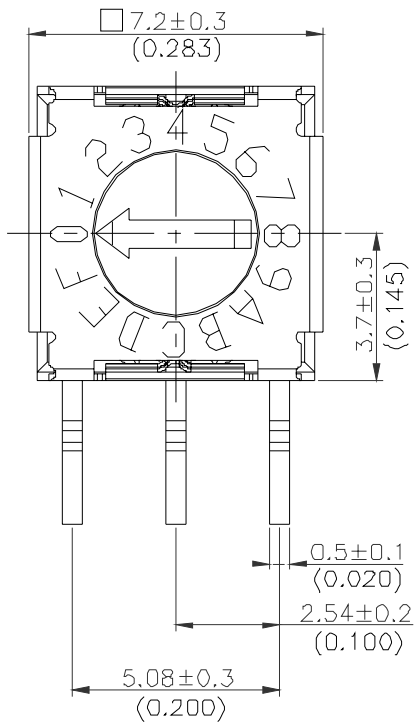
DIMENSIONS Unit:mm(inch)
ERD7XXARXZ/ERD7XXBRXZ SERIES



P.C.B LAYOUT (TOP VIEW)



DIMENSIONS Unit:mm(inch)
ERD7XXRRZ/ERD7XXCRZ SERIES



P.C.B LAYOUT (TOP VIEW)

