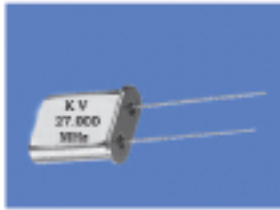
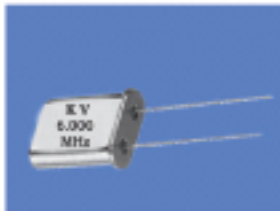


Outline 概要


HC-49U

HC-49U & HC-49T Series type crystal units are used as a clock reference for microprocessor. They also offer frequency stability.

HC-49U & HC-49T 系列產品通常用於給微處理器提供時鐘頻率，具有高穩定性。



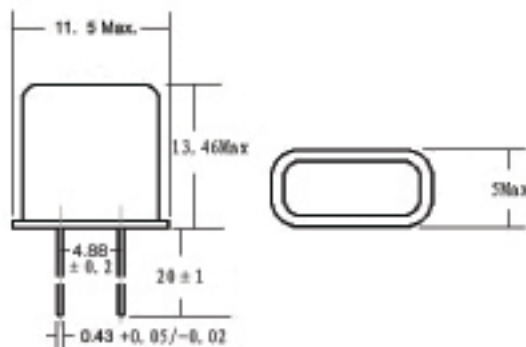
HC-49T

Electrical Specification 一般規格

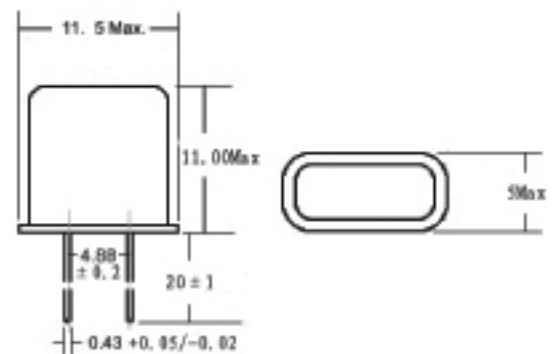
Frequency Range	頻率範圍	1.8MHz to 130MHz
Frequency Tolerance(at 25°C)	調整頻差	± 50ppm(± 30ppm, ± 20ppm)
Frequency Stability	溫度頻差	± 50ppm(± 30ppm, ± 20ppm)
Operating Temperature Range	工作溫度	-10°C to 60°C
Aging	年老化率	≤ ± 5ppm(Max.)
Storage Temperature Range	貯存溫度	-30°C to 80°C
Shunt Capacitance	靜電容	7pF(Max.)
Insulation Resistance	絕緣電阻	500M Ω DC/100V ± 15V
Drive Level	激勵電平	100 μ W to 1000 μ W
Load Capacitance	負載電容	Series Resonance or 12~84pF

Equivalent Series Resistance (ESR) 等效電阻

Frequency Range 頻率範圍	ESR(Ω)max 等效電阻	Mode 振動模式	Frequency Range 頻率範圍	ESR(Ω)max 等效電阻	Mode 振動模式
1.8~2.0MHz	600	Fond	10.0~15.0MHz	35	Fond
2.0~2.4MHz	450	Fond	15.0~20.0MHz	25	Fond
2.4~3.0MHz	350	Fond	20.0~25.0MHz	25/30	Fond/3 rd Overtone
3.0~3.5MHz	150	Fond	25.0~30.0MHz	25/40	Fond/3 rd Overtone
3.5~4.0MHz	90	Fond	30.0~75.0MHz	40	3 rd Overtone
4.0~7.0MHz	60	Fond	100.0~125.0MHz	60	5 rd Overtone
7.0~10.0MHz	35	Fond	125.0~150.0MHz	80	5 rd Overtone

Dimension (mm) 外觀尺寸


HC-49U



HC-49T