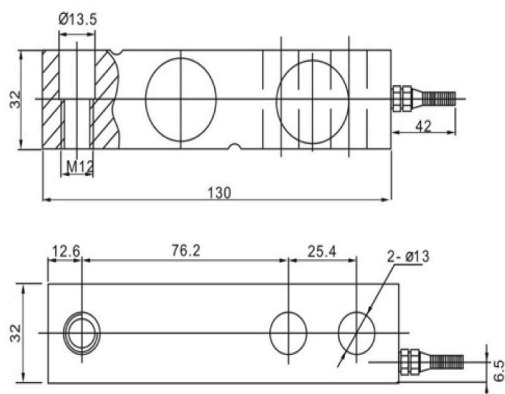


MANUFACTURER OF THE FINEST LOAD CELLS

For low profile platform scales, Hopper Scales and more

DIMENSIONS

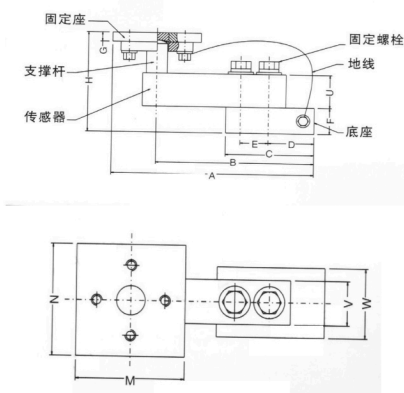


CABLE COLOUR CODE

EXC+	Red
EXC-	Black
SIG+	Green
SIG-	White

Specified load (kg)	A1	A2	A3	B	C	D	E	F1	F2	G	H	I
500	12	13.5	13.5	57.8	32	32	130	25.4	76.2	12.6		42
1000	12	13.5	13.5	57.8	32	32	130	25.4	76.2	12.6		42
2000	12	13.5	13.5	57.8	32	32	130	25.4	76.2	12.6		42
3000	20	20	20	58.2	38	38	171.5	38	95.3	19		42
5000	20	20	20	58.2	38	38	171.5	38	95.3	19		42
10000	27	27	27	120	50.8	50.8	225	50.8	124	25.4		17

DIMENSIONS



ORDERING INFORMATION

SQBB500-C.....	500kg
SQBB1000-C.....	1000kg
SQBB2000-C.....	2000kg
SQBB3000-C.....	3000kg
SQBB5000-C.....	5000kg
SQBB10000-C.....	10000kg

Specified load (kg)	A	B	C	D	E	F	G	H	I	M	N
500	168.8	128.8	65	27.2	25.4	23	9	93.9		80	80
1000	168.8	128.8	65	27.2	25.4	23	9	93.9		80	80
2000	168.8	128.8	65	27.2	25.4	23	9	93.9		80	80
3000	214	164	85	35	38	28	12	116		100	100
5000	214	164	85	35	38	28	12	116		100	100
10000	265	210	115	39	51	45	14	147		110	110