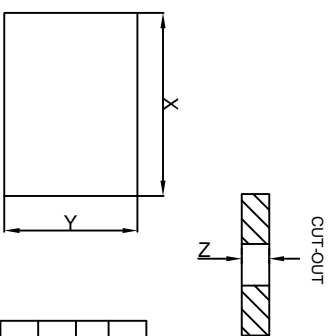
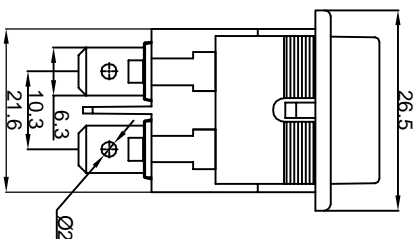
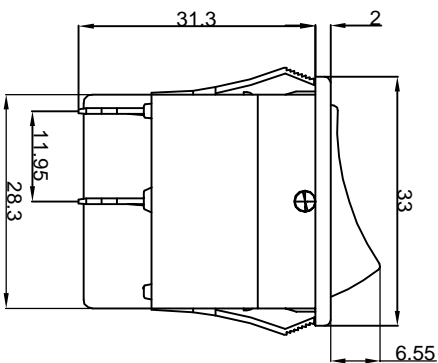
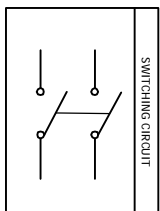
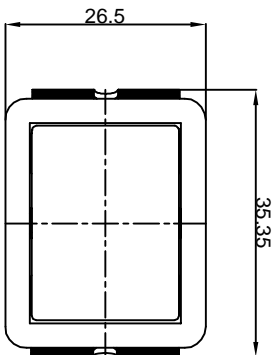


深圳宏源开泰科技发展有限公司

LR



Z	X	Y
0.70-1.25	30.0-30.2	22.0-22.2
1.25-2.00	30.2-30.4	22.0-22.2
2.00-3.00	30.4-30.6	22.0-22.2

RATING: 25A 125VAC (UL)
20A 250VAC(UL)
22A 250VAC(ENEC VDE)
Number of Operating Cycles: 5E4
Degree of protection: IP55
Contact Resistance: 50m Ω (Max)
Insulation Resistance: DC 500V 100M Ω (Min)
Dielectric Strength: AC1500V 1 minute
Operating Temperature: 0 °C~125 °C

公差 TOLERANCES		.X±0.3	.XX±0.15	角度 ANGLE ±1°		单位 DIMENSION UNIT	
版本 VER.	变更说明 CHANGE DESCRIPTION	日期 DATE	ECN NO.	核准 APPROVED BY	核对 CHECKED BY	绘图 DRAWN BY	品名 TITLE
A0	New Issue	2011.08.26	N/A	Richard	Sinc	Sinc	LR-210-C5N-BR
							图号 DRAWING NO
							LR-210-C5N-BR-CP_A0

File Code: HY-WI-E-03A