

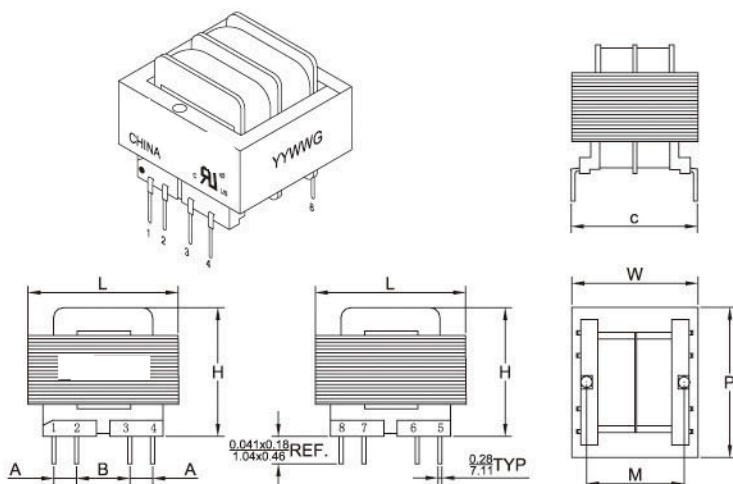
AH/ADH Series: EI Power PCB Transformer [1.1VA,2.4VA,6.0VA,12.0VA,20.0VA]



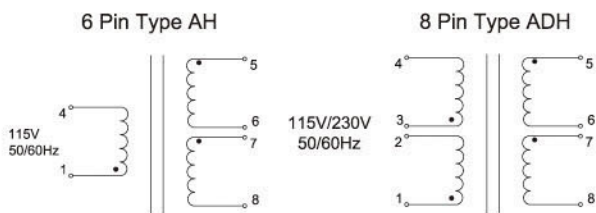
FEATURES

- UL and CUL Approved: UL File No. E177998
- Class B Insulation System
- Split bobbin Design
- Dielectric Strength 2500Vrms
- Optional Single 115V or Dual 115/230V Primaries at 50/60Hz
- Standard Dual Secondaries
- 5 Standard Sizes for a Variety of Power Application

OUTLINE DIMENSIONS



Electrical Schematic



SIZE	VA	L	W	H	M	A	B	C	WT. (lbs.)
2	1.1	1.398max	1.181max	0.945max	—	0.250	0.250	1.220	0.17
		35.5	30.0	24.0		6.35	6.35	30.99	
3	2.4	1.398max	1.181max	1.201max	—	0.250	0.250	1.220	0.25
		35.5	30.0	30.5		6.35	6.35	30.99	
4	6.0	1.646max	1.339max	1.437max	1.063	0.250	0.350	1.280	0.44
		41.8	34.0	36.5	27.0	6.35	8.89	32.51	
5	12.0	1.909max	1.594max	1.437max	1.260	0.300	0.400	1.400	0.70
		48.5	40.5	36.5	32.0	7.62	10.16	35.56	
6	20.0	2.250max	1.875max	1.410max	1.496	0.300	0.400	1.590	0.80
		57.5	48.0	36.5	38.00	7.62	10.16	40.39	

Part NO		Rating Output	
Single 115V 6 PIN	Dual 115V/230V 8 PIN	Series	Parallel
AH20010	ADH20010	10V 0.110A	5V 220mA
AH30010	ADH30010	10V 0.250A	5V 500mA
AH40010	ADH40010	10V 0.600A	5V 1.2A
AH50010	ADH50010	10V 1.200A	5V 2.4A
AH60010	ADH60010	10V 2.000A	5V 4.0A
AH20012	ADH20012	12.6V 90mA	6.3V 180mA
AH30012	ADH30012	12.6V 200mA	6.3V 400mA
AH40012	ADH40012	12.6V 500mA	6.3V 1.0A
AH50012	ADH50012	12.6V 1.0A	6.3V 2.0A
AH60012	ADH60012	12.6V 1.6A	6.3V 3.2A
AH20016	ADH20016	16V 70mA	8V 140mA
AH30016	ADH30016	16V 150mA	8V 300mA
AH40016	ADH40016	16V 400mA	8V 800mA
AH50016	ADH50016	16V 800mA	8V 1.6A
AH60016	ADH60016	16V 1.25A	8V 2.5A
AH20020	ADH20020	20V 55mA	10V 110mA
AH30020	ADH30020	20V 120mA	10V 240mA
AH40020	ADH40020	20V 300mA	10V 600mA
AH50020	ADH50020	20V 600mA	10V 1.2A
AH60020	ADH60020	20V 1.0A	10V 2.0A
AH20024	ADH20024	24V 45mA	12V 90mA
AH30024	ADH30024	24V 100mA	12V 200mA
AH40024	ADH40024	24V 250mA	12V 500mA
AH50024	ADH50024	24V 500mA	12V 1.0A
AH60024	ADH60024	24V 800mA	12V 1.6A
AH20028	ADH20028	28V 40mA	14V 80mA
AH30028	ADH30028	28V 85mA	14V 170mA
AH40028	ADH40028	28V 200mA	14V 400mA
AH50028	ADH50028	28V 420mA	14V 840mA
AH60028	ADH60028	28V 700mA	14V 1.4A
AH20036	ADH20036	36V 30mA	18V 60mA
AH30036	ADH30036	36V 65mA	18V 130mA
AH40036	ADH40036	36V 170mA	18V 340mA
AH50036	ADH50036	36V 350mA	18V 700mA
AH60036	ADH60036	36V 550mA	18V 1.1mA
AH20048	ADH20048	48V 23mA	24V 46mA
AH30048	ADH30048	48V 50mA	24V 100mA
AH40048	ADH40048	48V 125mA	24V 250mA
AH50048	ADH50048	48V 250mA	24V 500mA
AH60048	ADH60048	48V 400mA	24V 800mA
AH20056	ADH20056	56V 20mA	28V 40mA
AH30056	ADH30056	56V 45mA	28V 90mA
AH40056	ADH40056	56V 110mA	28V 220mA
AH50056	ADH50056	56V 220mA	28V 440mA
AH60056	ADH60056	56V 350mA	28V 700mA
AH200120	ADH200120	120V 10mA	60V 20mA
AH300120	ADH300120	120V 20mA	60V 40mA
AH400120	ADH400120	120V 50mA	60V 100mA
AH500120	ADH500120	120V 100mA	60V 200mA
AH600120	ADH600120	120V 160mA	60V 320mA