

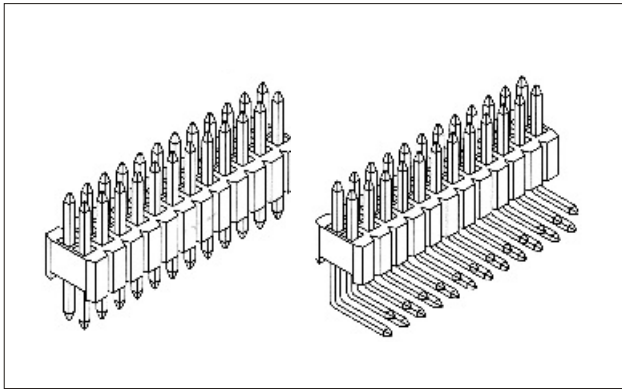
Pin Header
 Single Row/ Dual Row
 Straight DIP Type/ Right Angle DIP Type

Pitch: 1.27mm

Series
 331 ~ 333
 335 ~ 339

woxconn

Http://www.woxconn.com

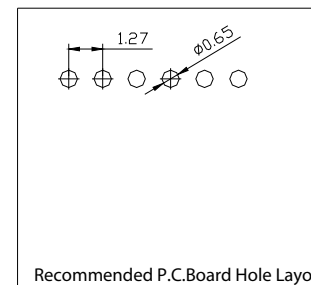
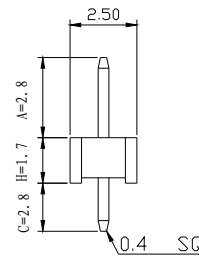
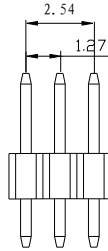
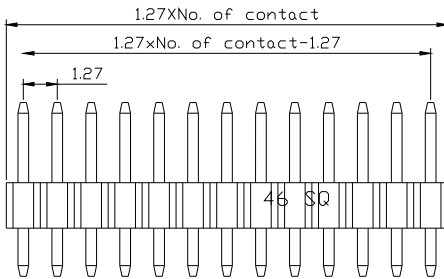


SPECIFICATIONS:

Current Rating: 1.0 AMP
 Contact Resistance: 30mΩ Max
 Insulation Resistance: 1000MΩ Min
 Withstand Voltage: 300VAC/minute
 Operation Temperature: -40°C to +105°C

MATERIALS:

Contact Material: Copper Alloy
 Contact Plating: Gold or Tin over 50μm Ni
 Insulator Material: Polyester (UL94V-0)
 Standard: PA 46



Ordering Code

① ② ③ ④ ⑤ ⑥ ⑦ ⑧ ⑨ ⑩
 3 3 X X XX X X X 1 XXX

- ① Series No.:
3 = Pin Header
- ② Pitch: 3 = 1.27mm
- ③ Insulator Height:
1 = 1.00mm 2 = 2.00mm
3 = 2.50mm 5 = 1.50mm
6 = 1.60mm 7 = 1.70mm
8 = 0.80mm 9 = 0.65mm

- ④ Dip Spacing:
1 = Single row
2 = Double row
- ⑤ Number of Contacts:
Single row 01 to 40
Double row = 02 to 80
- ⑥ Tail & Mounting Style:
S = Straight DIP Type
R = Right Angle DIP Type
- ⑦ Contact Plated
0 = Tin
1 = Gold Flash
2 = Gold 3u"
3 = Gold 5u"
4 = Gold 10u"
5 = Gold 15u"
6 = Gold 30u"
- ⑧ Material Type
2 = LCP
3 = Nylon-66
4 = Nylon-6T
5 = PA46
- ⑨ Tiers of Body
1 = Single tier
2 = Double tier
3 = Triple tier
- ⑩ Pin Length
XXX = A + H + C

Due to technical progress, all the information provided is subject to change without prior notice.