

Box Header

Pitch: 2.00 x 2.00mm

Series

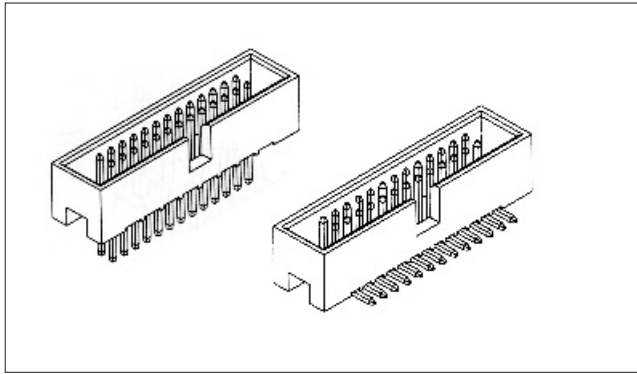
woxconn

Straight Type/ Right Angle Dip Type

302

Http://www.woxconn.com

S.M. Type

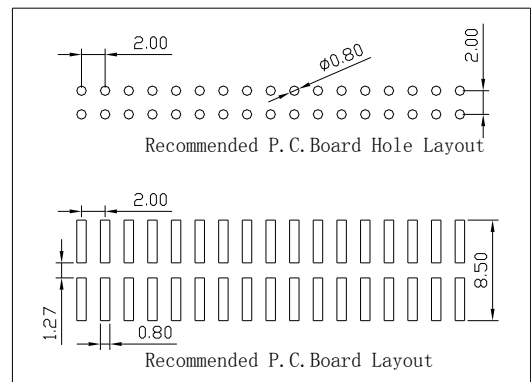
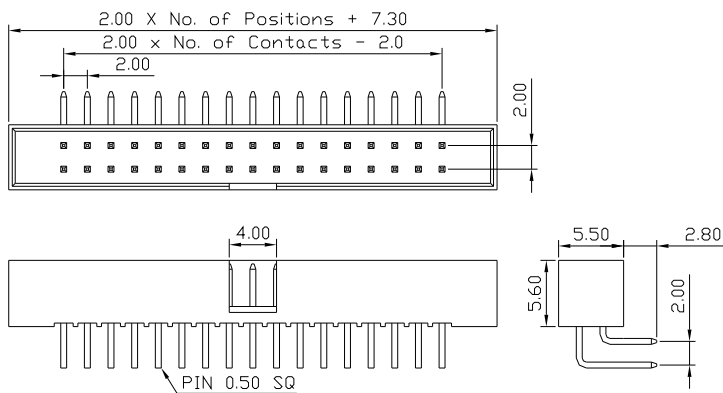
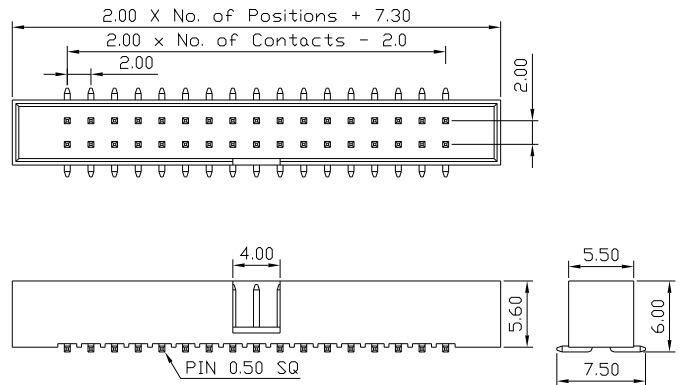
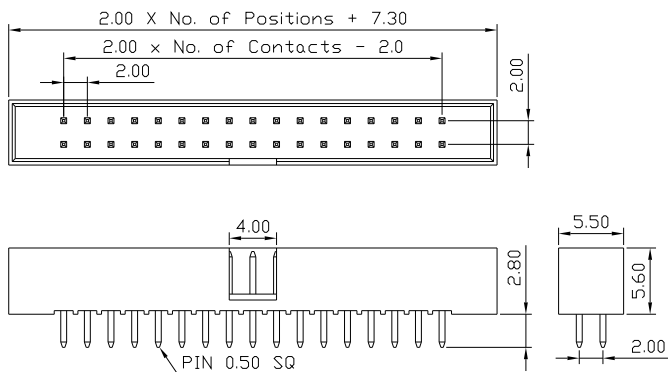


SPECIFICATIONS:

Current Rating: 2.0 AMP
Contact Resistance: 30mΩ Max
Insulation Resistance: 1000MΩ Min
Withstand Voltage: 500VAC/minute
Operation Temperature: -40°C to +105°C

MATERIALS:

Contact Material: Copper Alloy
Contact Plating: Gold or Tin over 50μ Ni
Insulator: Glass Filled Polyester(UL94V-0)
Standard: Nylon-6T



Ordering Code

①②③④⑤⑥⑦⑧⑨
30 2 5 XX X X X X 0

① Series No.:
30 = Box Header

② Pitch:
2 = 2.00 x 2.00mm

③ Insulator Height:
6 = 5.6mm

④ Number of Contacts:
10 Pin 64 Pin

⑤ Tail Mounting Style:
S= Straight Type
R= Right Angle Dip Type
M= S.M. T Type

⑥ Contact Plated
0= Tin
1= Gold Flash
2= Gold 3u"
3= Gold 5u"
4= Gold 10u"
5= Gold 15u"
6= Gold 30u"

⑦ Material Type
0= PPS
1= PBT
2= LCP
3= Nylon-66
4= Nylon-6T
5= PA46

⑧ Color:
B= Black
U= Blue
R= Red
W= White
Y= Yellow
G= Grey

⑨ Customer Request

Due to technical progress, all the information provided is subject to change without prior notice.