

Box Header Pitch: 2.54 x 2.54mm

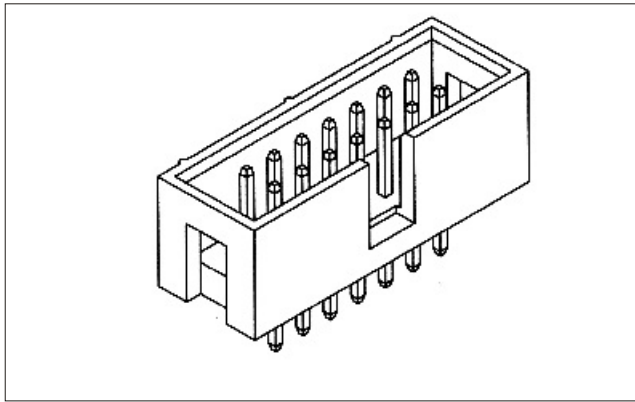
S.M. Type / Straight Type

Right Angle Dip Type

Series
301

woxconn

Http://www.woxconn.com



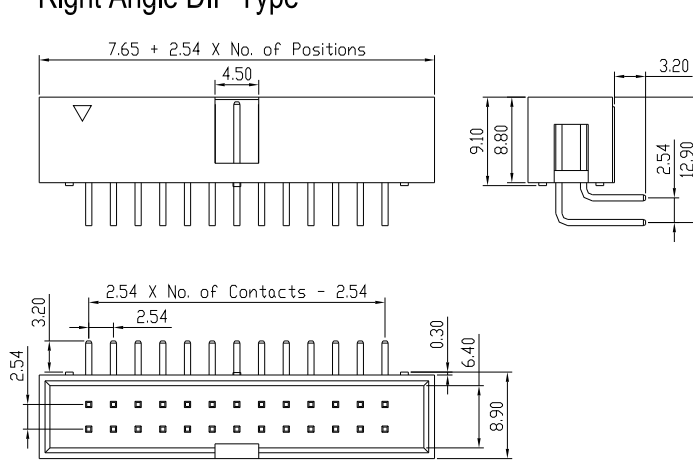
SPECIFICATIONS:

Current Rating: 3.0 AMP
 Contact Resistance: 30mΩ Max
 Insulation Resistance: 1000MΩ Min
 Withstand Voltage: 600VAC/minute
 Operation Temperature: -40°C to +105°C

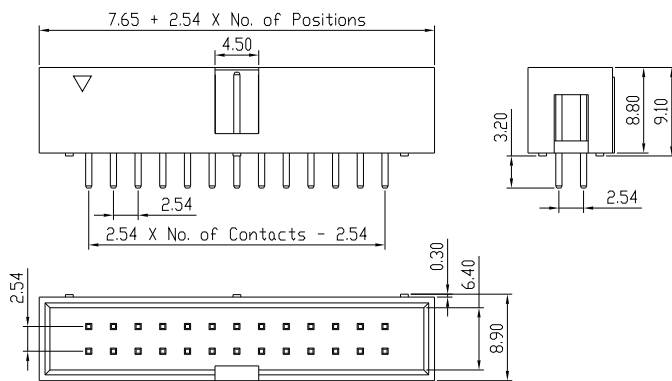
MATERIALS:

Contact Material: Copper Alloy
 Contact Plating: Gold or Tin over 50μ Ni
 Insulator: Glass Filled Polyester(UL94V-0)
 Standard: PBT

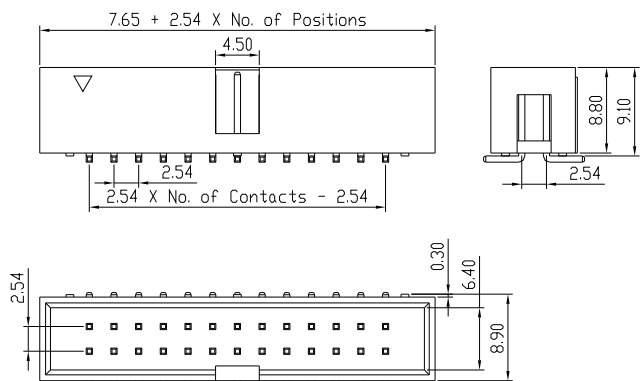
Right Angle DIP Type



Straight DIP Type



S.M.T Type



Ordering Code

①②③④⑤⑥⑦⑧⑨
 30 2 5 XX X 0 X X 0

- ① Series No. :
 30 = Box Header
 39 = Ejector Header
- ② Pitch:
 1 = 2.54 & 2.54mm

- ③ Insulator Height:
 0 = Straight
- ④ Number of Contacts:
 10 Pin 64 Pin
- ⑤ Tail Mounting Style:
 S = Straight Dip
 R = Right Angle Dip Type
- ⑥ Contact Plated:
 0 = Tin
 1 = Gold Flash
 2 = Gold 3u"
 3 = Gold 5u"
 4 = Gold 10u"
 5 = Gold 15u"
 6 = Gold 30u"
- ⑦ Material Type:
 0 = PPS
 1 = PBT
 2 = LCP
 3 = Nylon-66
 4 = Nylon-6T
 5 = PA46
- ⑧ Color:
 B = Black
 U = Blue
 R = Red
 W = White
 Y = Yellow
 G = Grey
- ⑨ Customer Request

Due to technical progress, all information provided is subject to change without prior notice.