



特点 Features

- IEC 标准插座式一体化滤波器
IEC Connector Integrative Filter
- 通用、小巧、方便安装
General purpose, compact, easy for installation and use
- 高性价比
High performance to cost make

应用 Application

- 用于小型电子设备和电子测量仪器
Available for mini-electronic equipments and measuring instruments
- 电脑、通讯设备、液晶电视、电动玩具
Computer, Communication equipment, LCD TV, Electronic toys
- 医疗设备及医疗特别应用
Medical equipment and medical typical applications

技术参数 Technical Data

额定电压 Rated Voltage	250VAC
工作频率 Operation Frequency	50/60Hz
额定电流 Rated Current	1-16A
耐压测试 Hi-pot Test	1450VDC (线对线 Line to Line) 2250VDC (线对地 Line to Ground)
气候类别 Climate Category	25/085/21

型号 Model	端子方式 Terminal		额定电流 Rated Current (A)	泄漏电流 Leakage Current ≤mA	电路图 Circuit Diagram Fig.	外形尺寸 Dimension Fig.
	入 Input	出 Output				
DF100-001-01			1	0.5	1	1
DF100-003-01			3	0.5	1	1
DF100-006-01			6	0.5	1	1
DF100-010-01			10	0.5	1	1
DF100-015-01			15	0.5	1	1
DF100-001-10			1	0.25	2	1
DF100-003-10			3	0.25	2	1
DF100-006-10			6	0.25	2	1
DF100-010-10			10	0.25	2	1
DF100-015-10			15	0.25	2	1
DF100-003-03			3	0.5	3	1
DF100-006-03			6	0.5	3	1
DF100-010-03			10	0.5	3	1
DF100-015-03			15	0.5	3	1

电路图 Electrical Schematic

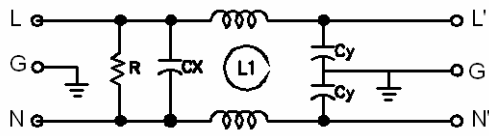


Fig 1

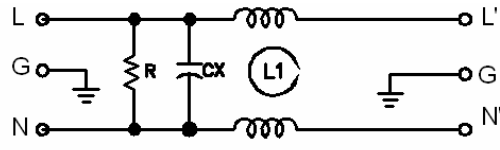


Fig 2

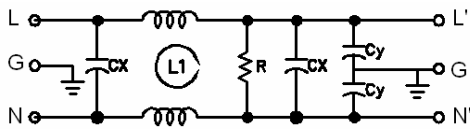


Fig 3

外形尺寸 Outline Dimensions(mm)

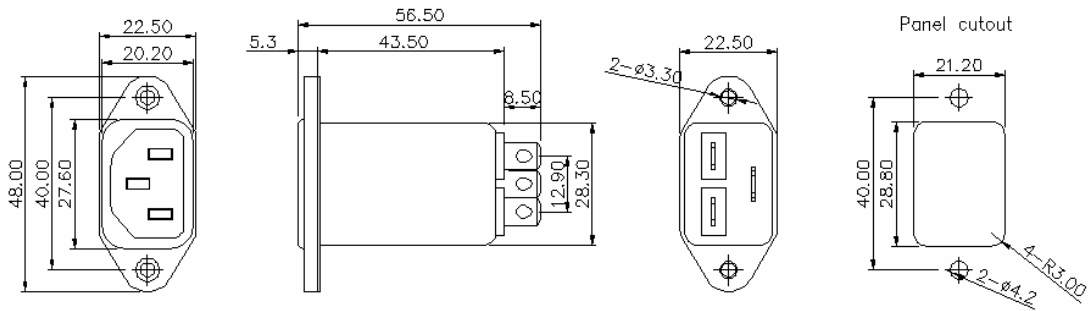


Fig 1

插入损耗 Insertion Loss in dB

(50Ω 环境下插入损耗 Insertion Loss in dB measured in a 50Ω system, as IEC/CISPR No. 17)

DF100 Serials Common Mode 共模							DF100 Serials Differential Mode 共模					
型号 Model No.	Frequency in MHz 频率						Frequency in MHz 频率					
	0.15	0.5	1	5	10	30	0.15	0.5	1	5	10	30
DF100-001-01	35	45	57	57	57	50	10	17	23	35	35	30
DF100-003-01	31	40	52	52	52	50	9	16	22	36	36	30
DF100-006-01	17	30	38	45	45	40	9	17	24	38	35	32
DF100-010-01	9	20	30	35	35	30	8	15	25	36	35	30
DF100-015-01	9	13	23	28	30	40	9	16	24	35	35	31
DF100-001-10	35	45	52	50	50	45	10	16	23	35	35	30

DF100 系列 (DF100 Serials)

DF100 Serials Common Mode 共模							DF100 Serials Differential Mode 共模					
型号 Model No.	Frequency in MHz 频率						Frequency in MHz 频率					
	0.15	0.5	1	5	10	30	0.15	0.5	1	5	10	30
DF100-003-10	31	40	48	50	50	45	9	16	22	36	36	30
DF100-006-10	17	27	34	43	43	38	9	17	24	39	36	30
DF100-010-10	9	19	25	30	30	25	8	15	25	36	35	30
DF100-015-10	9	10	12	12	13	12	8	16	24	35	35	32
DF100-003-03	45	51	51	51	52	45	13	45	70	65	62	50
DF100-006-03	28	36	42	55	63	60	1	2	12	60	68	65
DF100-010-03	25	32	40	48	52	50	18	60	71	65	60	62
DF100-015-03	15	21	28	45	58	45	12	20	45	68	62	43

备注：以上规格为公司标准产品，可根据客户产品定制设计产品性能和尺寸外观。