



特点 Features

- IEC 标准插座带 1 个保险丝和开关滤波器
IEC Connector Integrative Filter with 1 Fuse and Switch
- 通用、小巧、方便安装
General purpose, compact, easy for installation and use
- 高性价比
High performance to cost make

应用 Application

- 用于集成电子设备和电子测量仪器
Available for integrated electronic equipments and measuring instruments
- 医疗设备及医疗特别应用
Medical equipment and medical typical applications

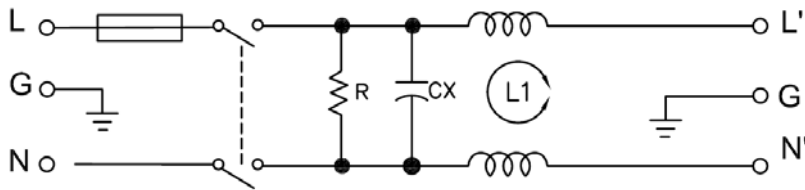
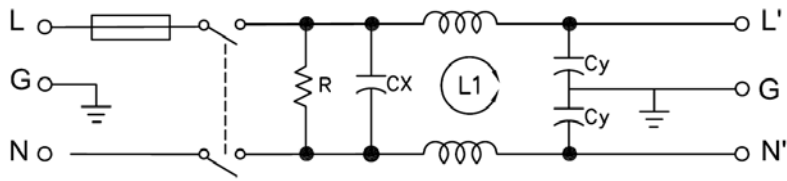
技术参数 Technical Data

额定电压 Rated Voltage	250VAC
工作频率 Operation Frequency	50/60Hz
额定电流 Rated Current	1-10A
耐压测试 Hi-pot Test	1450VDC (线对线 Line to Line) 2250VDC (线对地 Line to Ground)
气候类别 Climate Category	25/085/21

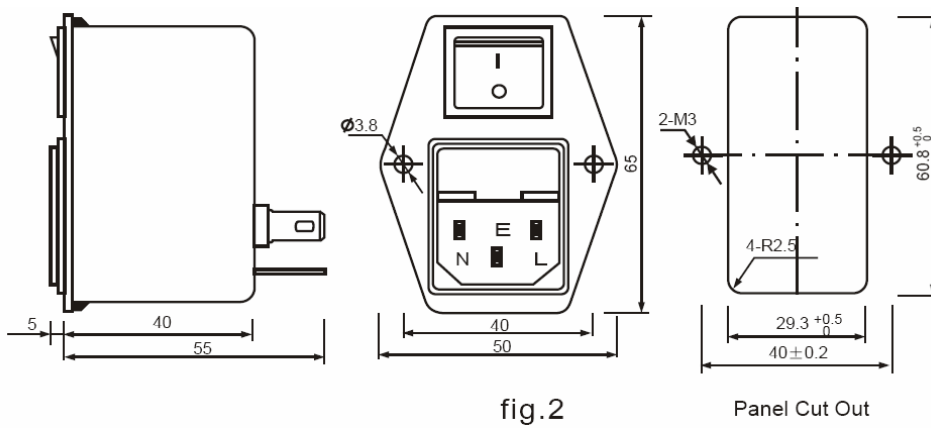
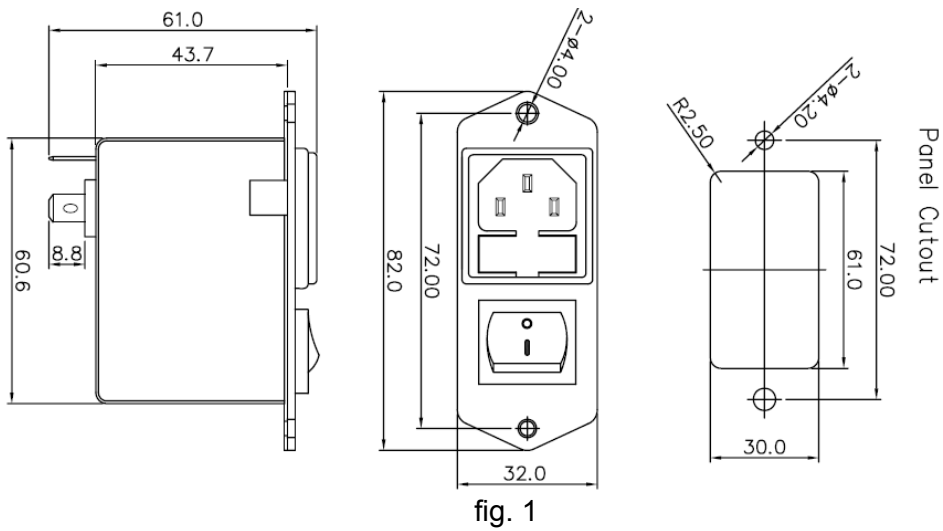
型号 Model	端子方式 Terminal		额定电流 Rated Current (A)	泄漏电流 Leakage Current ≤mA	电路图 Circuit Diagram Fig.	外形尺寸 Dimension Fig.
	入 Input	出 Output				
DF102-001-01(02)			1	0.5	1	1/2
DF102-003-01(02)			3	0.5	1	1/2
DF102-006-01(02)			6	0.5	1	1/2
DF102-010-01(02)			10	0.5	1	1/2
DF102-001-10(12)			1	0.25	2	1/2
DF102-003-10(12)			3	0.25	2	1/2
DF102-006-10(12)			6	0.25	2	1/2
DF102-010-10(12)			10	0.25	2	1/2

备注 Comment: 括号内的型号指同一电路图不同的外形尺寸。Model no in brackets means same diagram but different dimension.

电路图 Electrical Schematic



外形尺寸 Outline Dimensions(mm)



插入损耗 Insertion Loss in dB

(50Ω 环境下插入损耗 Insertion Loss in dB measured in a 50Ω system, as IEC/CISPR No. 17)

DF102 Serials Common Mode 共模							DF102 Serials Differential Mode 共模					
型号 Model No.	Frequency in MHz 频率						Frequency in MHz 频率					
	0.15	0.5	1	5	10	30	0.15	0.5	1	5	10	30
DF102-001-01	41	53	55	55	55	50	18	28	32	55	50	50
DF102-003-01	37	49	51	52	50	50	17	28	33	55	50	49
DF102-006-01	25	35	38	50	50	45	18	28	32	52	50	49
DF102-010-01	18	26	18	42	42	41	18	28	32	56	52	50
DF102-001-10	41	49	51	33	27	17	18	28	32	55	52	50
DF102-003-10	37	45	43	29	23	15	18	29	32	55	50	50
DF102-006-10	25	31	33	28	23	15	18	29	31	55	50	49
DF102-010-10	18	24	26	16	10	8	18	28	32	56	50	51

备注：以上规格为公司标准产品，可根据客户产品定制设计产品性能和尺寸外观。