



特点 Features

- 通用、紧凑、嵌入式/螺母/接线
General purpose, compact single phase filter with faston/nut/wire terminal
- 通用、小巧、方便安装
General purpose, compact, easy for installation and use

应用 Application

- 用于电子设备和电子测量仪器
Available for electronic equipments and measuring instruments
- 白色家电、单相工业设备、电源供应和控制系统
White goods, single phase industrial equipments, power supply systems and controls
- 医疗设备及医疗特别应用（低泄漏电流）
Medical equipment and medical typical applications (Low current leakage)

技术参数 Technical Data

额定电压 Rated Voltage	250VAC
工作频率 Operation Frequency	50/60Hz
额定电流 Rated Current	1-40A
耐压测试 Hi-pot Test	1450VDC (线对线 Line to Line) 2250VDC (线对地 Line to Ground)
气候类别 Climate Category	25/085/21

型号 Model	端子方式 Terminal		额定电流 Rated Current (A)	泄漏电流 Leakage Current ≤mA	电路图 Circuit Diagram Fig.	外形尺寸 Dimension Fig.
	入 Input	出 Output				
DF200-001-01			1	0.89	1	1
DF200-003-01			3	0.89	1	1
DF200-006-01			6	0.89	1	1
DF200-010-01			10	0.89	1	2
DF200-015-01			15	0.89	1	3
DF200-20-01			20	0.89	1	3
DF200-25-01			20	0.89	1	4
DF200-030-01			30	0.89	1	4
DF200-040-01			30	0.89	1	4
DF200-001-10			1	0.49	2	1

DF200 系列 (DF200 Serials)

型号 Model	端子方式 Terminal		额定电流 Rated Current (A)	泄漏电流 Leakage Current ≤mA	电路图 Circuit Diagram Fig.	外形尺寸 Dimension Fig.
	入 Input	出 Output				
DF200-003-10			3	0.49	2	1
DF200-006-10			6	0.49	2	1
DF200-010-10			10	0.49	2	2
DF200-015-10			15	0.49	2	3
DF200-20-10			20	0.49	2	3
DF200-25-10			20	0.89	2	4
DF200-030-10			30	0.49	2	4
DF200-040-10			30	0.49	2	4

电路图 Electrical Schematic

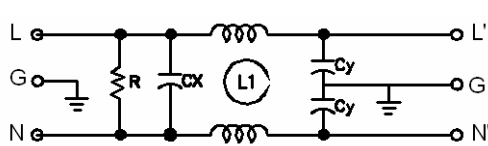


Fig 1

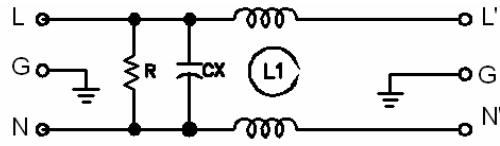


Fig 2

外形尺寸 Outline Dimensions(mm)

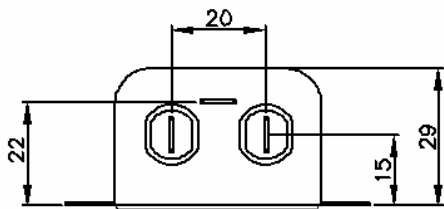


Fig.1

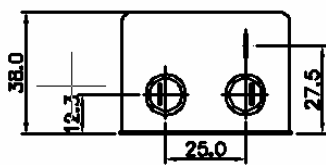
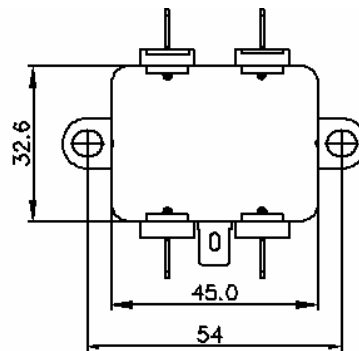
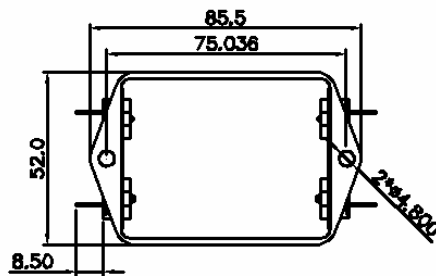


Fig. 2



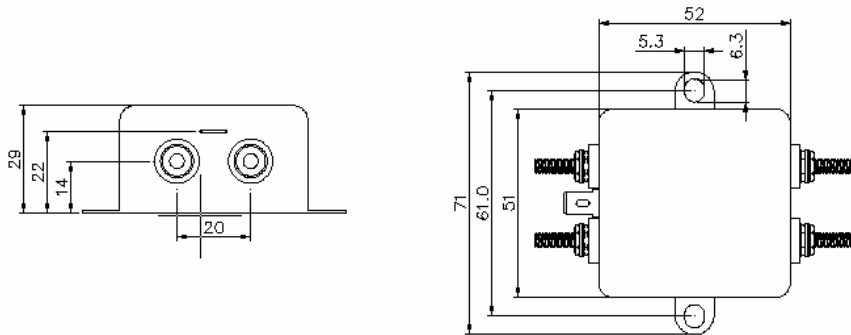


Fig. 3 Terminal can be change to faston

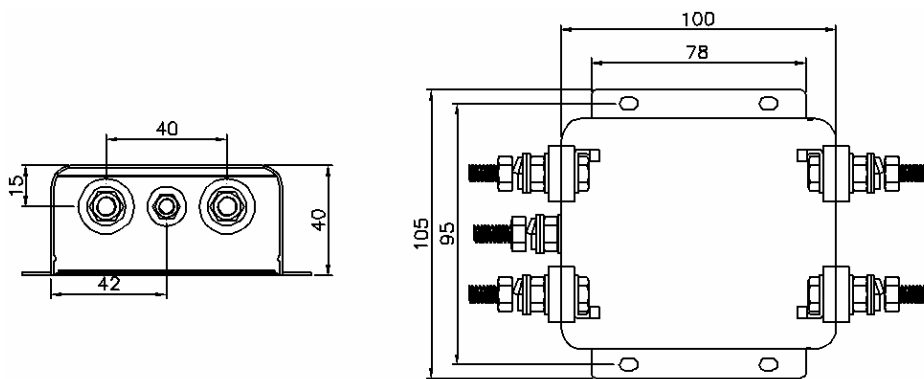


Fig. 4

插入损耗 Insertion Loss in dB

(50Ω 环境下插入损耗 Insertion Loss in dB measured in a 50Ω system, as IEC/CISPR No. 17)

DF200 Serials Common Mode 共模							DF200 Serials Differential Mode 共模					
型号 Model No.	Frequency in MHz 频率						Frequency in MHz 频率					
	0.15	0.5	1	5	10	30	0.15	0.5	1	5	10	30
DF200-001-01	31	43	52	52	52	50	8	17	23	35	35	30
DF200-003-01	29	41	50	50	50	49	8	17	23	35	35	30
DF200-006-01	25	37	45	45	45	40	8	17	23	35	35	30
DF200-010-01	23	35	43	43	43	40	8	17	23	35	35	30
DF200-015-01	19	30	40	40	40	40	8	17	23	35	35	30
DF200-100-01	19	30	40	40	40	40	8	17	23	35	35	30
DF200-105-01	17	28	38	38	38	35	8	17	23	35	35	30
DF200-030-01	17	28	38	38	38	35	8	17	23	35	35	30
DF200-040-01	13	25	34	34	34	30	8	17	23	35	35	30
DF200-001-10	30	40	45	50	50	45	8	17	23	35	35	30
DF200-003-10	30	41	48	50	50	45	8	17	23	35	35	30
DF200-006-10	22	33	38	35	35	35	8	17	23	35	35	30

DF200 系列 (DF200 Serials)

DF200 Serials Common Mode 共模							DF200 Serials Differential Mode 共模					
型号 Model No.	Frequency in MHz 频率						Frequency in MHz 频率					
	0.15	0.5	1	5	10	30	0.15	0.5	1	5	10	30
DF200-010-10	22	33	38	35	35	35	8	17	23	35	35	30
DF200-015-10	19	29	35	30	30	30	8	17	23	35	35	30
DF200-100-10	19	29	35	30	30	30	8	17	23	35	35	30
DF200-105-10	16	27	33	30	30	30	8	17	23	35	35	30
DF200-030-10	12	23	30	28	28	28	8	17	23	35	35	30
DF200-040-10	12	23	30	28	28	28	8	17	23	35	35	30

备注：以上规格为公司标准产品，仅供参考，可根据客户产品定制设计产品性能和尺寸外观。