



特点 Features

- 高性能单相滤波器 紧凑、嵌入式/螺母/接线
High performance compact single phase filter with faston/nut/wire terminal
- 小巧、方便安装
Compact, easy for installation and use

应用 Application

- 白色家电、单相工业设备，电源供应和控制系统，通信系统
White goods, single phase industrial equipments, power supply system and controls
- 医疗设备及医疗特别应用（低泄漏电流）
Medical equipment and medical typical applications (Low current leakage)

技术参数 Technical Data

| | |
|--------------------------|--|
| 额定电压 Rated Voltage | 250VAC |
| 工作频率 Operation Frequency | 50/60Hz |
| 额定电流 Rated Current | 1-40A |
| 耐压测试 Hi-pot Test | 1450VDC (线对线 Line to Line) 2250VDC (线对地 Line to Ground) |
| 气候类别 Climate Category | 25/085/21 |

| 型号 Model | 端子方式 Terminal | | 额定电流 Rated Current (A) | 泄漏电流 Leakage Current ≤mA | 电路图 Circuit Diagram Fig. | 外形尺寸 Dimension Fig. |
|--------------|---------------|----------|------------------------------|--------------------------------|--------------------------------|---------------------------|
| | 入 Input | 出 Output | | | | |
| DF201-001-01 | | | 1 | 0.89 | 1 | 1 |
| DF201-003-01 | | | 3 | 0.89 | 1 | 1 |
| DF201-006-01 | | | 6 | 0.89 | 1 | 1 |
| DF201-010-01 | | | 10 | 0.89 | 1 | 2 |
| DF201-015-01 | | | 15 | 0.89 | 1 | 3 |
| DF201-20-01 | | | 20 | 0.89 | 1 | 3 |
| DF201-25-01 | | | 20 | 0.89 | 1 | 4 |
| DF201-030-01 | | | 30 | 0.89 | 1 | 4 |
| DF201-040-01 | | | 30 | 0.89 | 1 | 4 |
| DF201-001-10 | | | 1 | 0.49 | 2 | 1 |
| DF201-003-10 | | | 3 | 0.49 | 2 | 1 |
| DF201-006-10 | | | 6 | 0.49 | 2 | 1 |

DF201 系列 (DF201 Serials)

| 型号 Model | 端子方式 Terminal | | 额定电流 Rated Current (A) | 泄漏电流 Leakage Current \leq mA | 电路图 Circuit Diagram Fig. | 外形尺寸 Dimension Fig. |
|--------------|---------------|----------|------------------------------|--------------------------------------|--------------------------------|---------------------------|
| | 入 Input | 出 Output | | | | |
| DF201-010-10 | | | 10 | 0.49 | 2 | 2 |
| DF201-015-10 | | | 15 | 0.49 | 2 | 3 |
| DF201-20-10 | | | 20 | 0.49 | 2 | 3 |
| DF201-25-10 | | | 20 | 0.89 | 2 | 4 |
| DF201-030-10 | | | 30 | 0.49 | 2 | 4 |
| DF201-040-10 | | | 30 | 0.49 | 2 | 4 |

电路图 Electrical Schematic

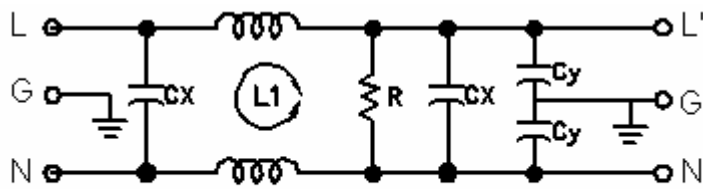


Fig 1

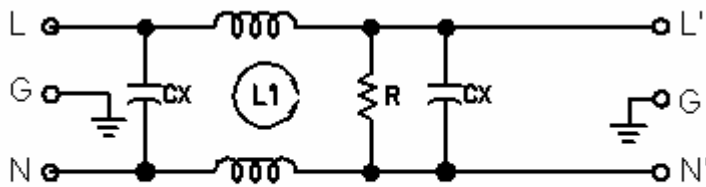


Fig 2

外形尺寸 Outline Dimensions(mm)

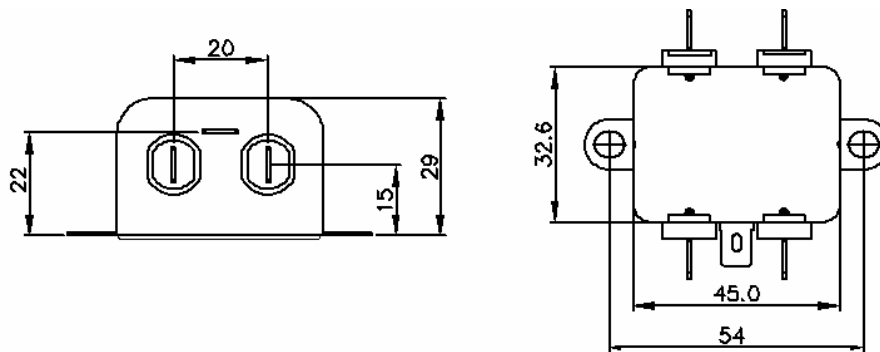


Fig.1

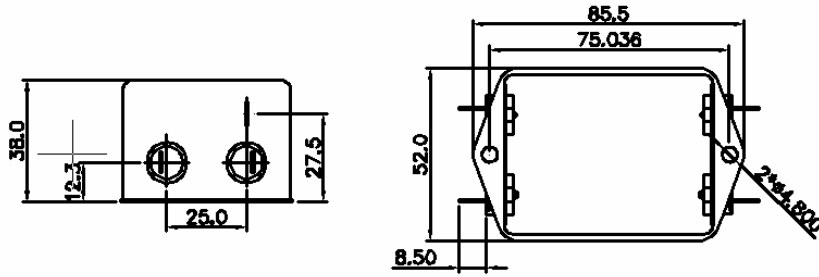


Fig. 2

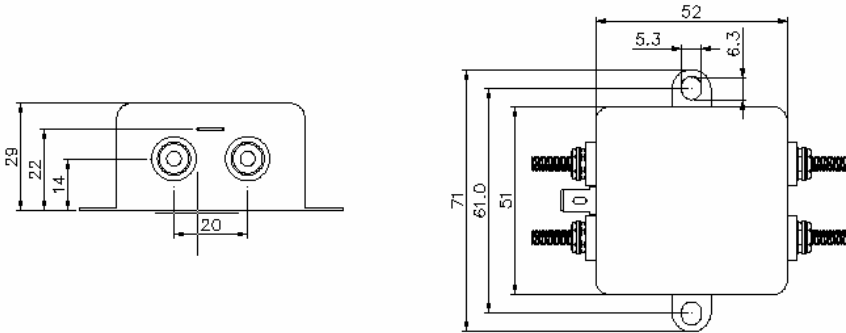


Fig. 3

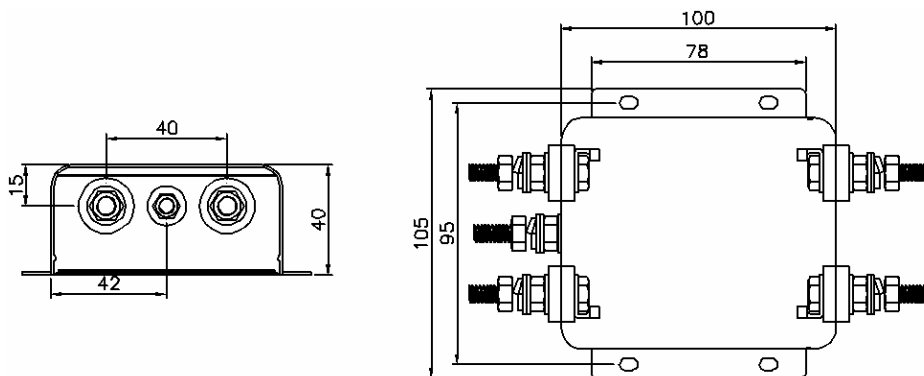


Fig. 4

插入损耗 Insertion Loss in dB

(50Ω 环境下插入损耗 Insertion Loss in dB measured in a 50Ω system, as IEC/CISPR No. 17)

| DF201 Serials Common Mode 共模 | | | | | | | DF201 Serials Differential Mode 共模 | | | | | |
|------------------------------|---------------------|-----|----|----|----|----|------------------------------------|-----|----|----|----|----|
| 型号 Model No. | Frequency in MHz 频率 | | | | | | Frequency in MHz 频率 | | | | | |
| | 0.15 | 0.5 | 1 | 5 | 10 | 30 | 0.15 | 0.5 | 1 | 5 | 10 | 30 |
| DF201-001-01 | 31 | 43 | 52 | 52 | 52 | 50 | 8 | 17 | 23 | 35 | 35 | 30 |
| DF201-003-01 | 29 | 41 | 50 | 50 | 50 | 49 | 8 | 17 | 23 | 35 | 35 | 30 |
| DF201-006-01 | 25 | 37 | 45 | 45 | 45 | 40 | 8 | 17 | 23 | 35 | 35 | 30 |
| DF201-010-01 | 23 | 35 | 43 | 43 | 43 | 40 | 8 | 17 | 23 | 35 | 35 | 30 |
| DF201-015-01 | 19 | 30 | 40 | 40 | 40 | 40 | 8 | 17 | 23 | 35 | 35 | 30 |

DF201 系列 (DF201 Serials)

| DF201 Serials Common Mode 共模 | | | | | | | DF201 Serials Differential Mode 共模 | | | | | |
|------------------------------|---------------------|-----|----|----|----|----|------------------------------------|-----|----|----|----|----|
| 型号 Model No. | Frequency in MHz 频率 | | | | | | Frequency in MHz 频率 | | | | | |
| | 0.15 | 0.5 | 1 | 5 | 10 | 30 | 0.15 | 0.5 | 1 | 5 | 10 | 30 |
| DF201-100-01 | 19 | 30 | 40 | 40 | 40 | 40 | 8 | 17 | 23 | 35 | 35 | 30 |
| DF201-105-01 | 17 | 28 | 38 | 38 | 38 | 35 | 8 | 17 | 23 | 35 | 35 | 30 |
| DF201-030-01 | 17 | 28 | 38 | 38 | 38 | 35 | 8 | 17 | 23 | 35 | 35 | 30 |
| DF201-040-01 | 13 | 25 | 34 | 34 | 34 | 30 | 8 | 17 | 23 | 35 | 35 | 30 |
| DF201-001-10 | 30 | 40 | 45 | 50 | 50 | 45 | 8 | 17 | 23 | 35 | 35 | 30 |
| DF201-003-10 | 30 | 41 | 48 | 50 | 50 | 45 | 8 | 17 | 23 | 35 | 35 | 30 |
| DF201-006-10 | 22 | 33 | 38 | 35 | 35 | 35 | 8 | 17 | 23 | 35 | 35 | 30 |
| DF201-010-10 | 22 | 33 | 38 | 35 | 35 | 35 | 8 | 17 | 23 | 35 | 35 | 30 |
| DF201-015-10 | 19 | 29 | 35 | 30 | 30 | 30 | 8 | 17 | 23 | 35 | 35 | 30 |
| DF201-100-10 | 19 | 29 | 35 | 30 | 30 | 30 | 8 | 17 | 23 | 35 | 35 | 30 |
| DF201-105-10 | 16 | 27 | 33 | 30 | 30 | 30 | 8 | 17 | 23 | 35 | 35 | 30 |
| DF201-030-10 | 12 | 23 | 30 | 28 | 28 | 28 | 8 | 17 | 23 | 35 | 35 | 30 |
| DF201-040-10 | 12 | 23 | 30 | 28 | 28 | 28 | 8 | 17 | 23 | 35 | 35 | 30 |

备注：以上规格为公司标准产品，仅供参考，可根据客户产品定制设计产品性能和尺寸外观。