

Technical Data

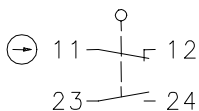
Plastic bodied limit switch

Series TI2

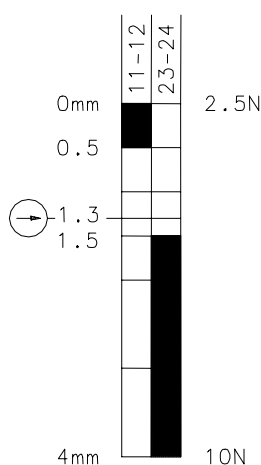
Description **TI2-U1Z RIW**



Article number **6088117007**

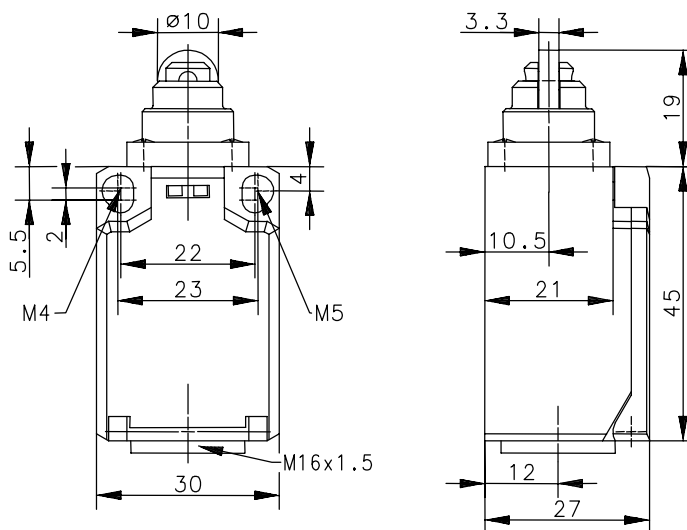
Operating symbol




Operating diagram



 On
  Off
 Tolerance:
 Operating point $\pm 3,5^\circ$;
 Actuating force $\pm 10\%$



Electrical data

Rated insulation voltage	U_i	250V AC
Conv. thermal current	I_{the}	10A
Rated operational voltage	U_e	240V
Utilization category		AC-15, U_e/I_e 240V/3A
Positive opening NC contact		IEC/EN 60947-5-1
Short-circuit protective device		Fuse 6A gL/gG IEC/EN 60947-5-1, Annex K
Protection class		II, totally insulated

This document will not become the contractual basis; the details included herein do not constitute any descriptions of expected conditions, so that warranties/claims for defects on account of possible variations of the actual qualities from the qualities described herein are explicitly excluded. All rights reserved. Specifications subject to change without notice!

Date of issue: 27.08.2004 / Page 1 of 2
 Document : 6088117007_en / Last update : 1 / 2454-04

Technical Data

Plastic bodied limit switch

Mechanical data	
Enclosure	PBT
Cover	PA6.6
Actuator	Roller (thermoplastic)
Ambient air temperature	-30°C ... +80°C
Contact type	1 NC, 1 NO (Zb)
Mechanical life	3 x 10 ⁶ switching cycles
Switching frequency	≤ 100/min
Assembly	2 x M4 or 2 x M5 fixed position for safety applications
Connection	4 screw connections (M3,5)
Conductor cross-sections	Solid: 0.5 ... 1.5mm ² Litz wire with ferrules: 0.5 ... 1.5mm ²
Cable entrance	1 x M16x1,5
Weight	≈ 0,05kg
Installation position	Operator definable
Protection type	IP65 acc. to EN 60529; DIN VDE 0470 T1

Actuation

The actuating device is preferably started from 2 sides.

Standards	VDE 0660 T100, DIN EN 60947-1, IEC 60947-1 VDE 0660 T200, DIN EN 60947-5-1, IEC 60947-5-1
------------------	--

EU Conformity	CE
----------------------	-----------

Approvals

	BG
	CSA A300 (same polarity)
	UL A300 (same polarity)

Notes

The degree of protection (IP code) specified applies solely to a property closed cover and the use of an equivalent cable gland with adequate cable.