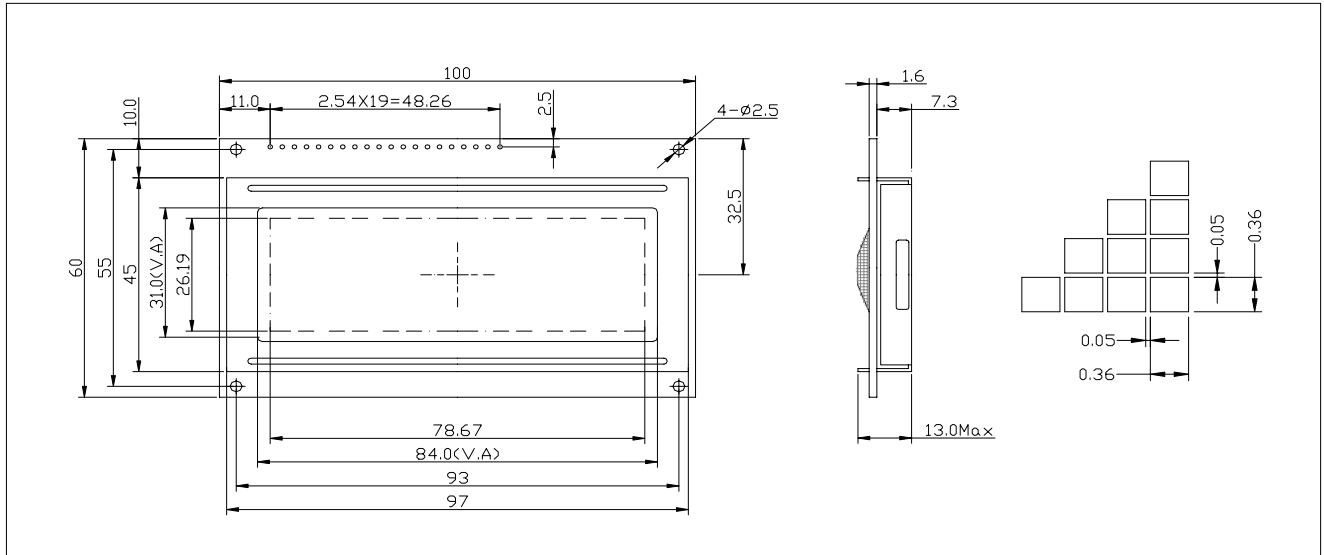


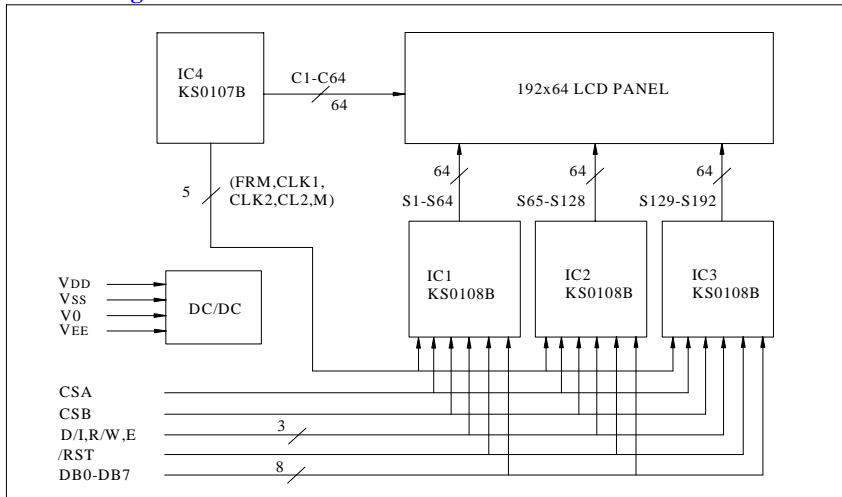
HTM19264A -----

- * 192x64 Dots
- * View Angle (6 : 00 or 12 :00)
- * 1/64 Duty , 1/9 Bias
- * EL or LED Backlight(Yellow , Blue , White)
- * Reflective or Transflective or Transmissive
- * STN (Yellow or Gray or Blue), FSTN
- * Controller/Driver (S6B0108A01-KS0108B)
- * Operating Temp (- 20°C~70°C)

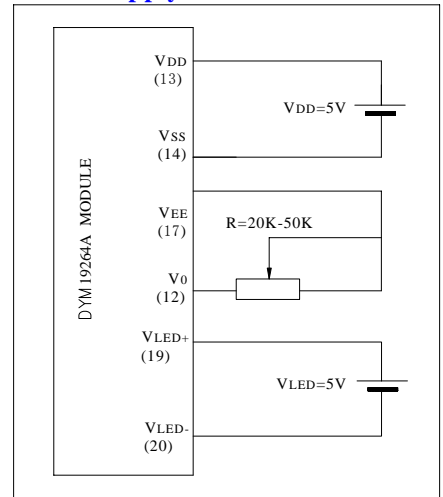
Outline Dimensions



Block Diagram



Power Supply



Mechanical Specifications Electrical Specifications

Item	Description(mm)	Item	Symbol	Min	Typ	Max	Unit
Size	100.0(L)x60.0(W)x13(H)	Supply Voltage for Logic	VDD	4.75	5.0	5.25	V
V.A	84.0(L)x30.0(W)	Supply Voltage for LCD	VLCD	9.7	10.0	10.3	V
Dot Pitch	0.41×0.41	Supply Current for Logic	IDD		3.0	3.0	mA
Dot Size	0.36×0.36	Supply Current for LED	IF			200	mA

Interface Signals

Pin	Symbol	Level	Description	Pin	Symbol	Level	Description
1~8	DB0~DB7	H/L	Data Bus	15	CSB	H/L	Chip select Signal
9	E	H→L	Chip Enable Signal	16	CSA	H/L	CSA= 0, CS2= 0: IC1 CSA= 1, CS2= 0: IC2 CSA= 0, CS2= 1: IC3
10	R/W	H/L	H: Read L: Write				
11	D/I	H/L	H: Data L: Instruction				
12	V0		Operating Voltage for LCD	17	VEE		Negativ Voltage Output
13	VDD	+5V	Power supply for logic	18	/RST	L	Reset signal
14	VSS	0V	GND	19	A	+5V	LED+
				20	K	0V	LED-