

## SMD POWER INDUCTORS / ATPI Series

### • Features

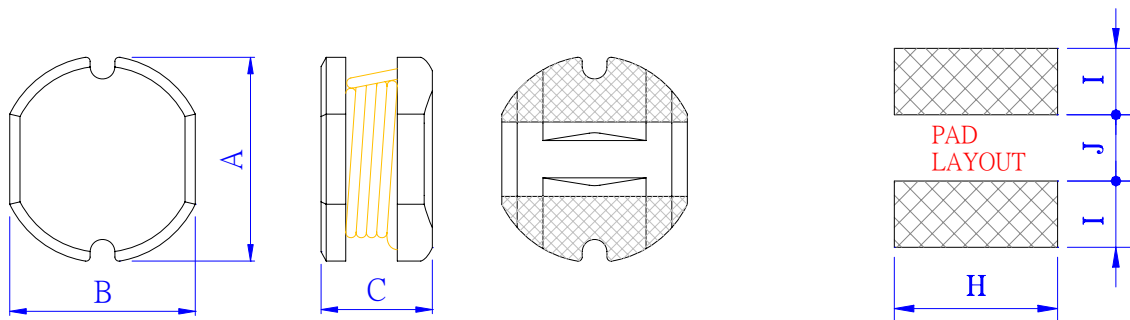
1. Excellent solderability and high heat resistance
2. Excellent terminal strength construction.
3. Packed in embossed carrier tape and can be used by automatic mounting machine.

### • Applications

Power supply for VCR,OA equipment ,LCD television set, notebook, DC to DC converters, DC to AC inverters etc.



### • Shape & Dimensions



TYPE	A (mm)	B (mm)	C (mm)	H (Ref.)	I (Ref.)	J (Ref.)
ATPI0301	3.5 ± 0.3	3.0 ± 0.3	1.3 MAX.	3.5	1.5	1.0
ATPI0302	3.5 ± 0.3	3.0 ± 0.3	2.1 ± 0.3	3.5	1.5	1.0
ATPI0403	4.5 ± 0.3	4.0 ± 0.3	3.2 ± 0.3	4.5	1.8	1.5
ATPI0504	5.8 ± 0.3	5.2 ± 0.3	4.5 ± 0.4	5.5	2.2	1.7
ATPI0703	7.8 ± 0.3	7.0 ± 0.3	3.5 ± 0.5	7.5	3.0	2.0
ATPI0705	7.8 ± 0.3	7.0 ± 0.3	5.0 ± 0.5	7.5	3.0	2.0
ATPI1004	10.0 ± 0.3	9.0 ± 0.3	4.0 ± 0.5	9.5	3.8	2.5
ATPI1005	10.0 ± 0.4	9.0 ± 0.4	5.4 ± 0.4	9.5	3.8	2.5

## ◆ ATPI0301 Series Specification :

Part Number	Inductance (H)	Test Frequency (Hz)	DCR ( $\Omega$ ) Max.	Rated Current (A) Max.
ATPI03011R5□	1.5 u	100 K	0.15	1.60
ATPI03013R3□	3.3 u	100 K	0.25	1.20
ATPI03014R7□	4.7 u	100 K	0.28	1.00
ATPI03016R8□	6.8 u	100 K	0.54	0.80
ATPI03018R2□	8.2 u	100 K	0.56	0.70
ATPI0301100□	10 u	100 K	0.60	0.60
ATPI0301120□	12 u	100 K	0.80	0.50
ATPI0301150□	15 u	100 K	1.05	0.45
ATPI0301220□	22 u	100 K	1.20	0.37

### NOTE :

\* The operating temperature range is -25°C to +85°C

\* □ Tolerance K :  $\pm 10\%$  , M :  $\pm 20\%$

## ◆ ATPI0302 Series Specification :

Part Number	Inductance (H)	Test Frequency (Hz)	DCR ( $\Omega$ ) Max.	Rated Current (A) Max.
ATPI03021R5□	1.5 u	7.96 M	0.06	2.00
ATPI03022R2□	2.2 u	7.96 M	0.09	1.60
ATPI03023R3□	3.3 u	7.96 M	0.10	1.50
ATPI03024R7□	4.7 u	7.96 M	0.20	1.40
ATPI03026R8□	6.8 u	7.96 M	0.30	1.00
ATPI03028R2□	8.2 u	7.96 M	0.32	1.00
ATPI0302100□	10 u	2.52 M	0.35	1.00
ATPI0302120□	12 u	2.52 M	0.40	0.90
ATPI0302150□	15 u	2.52 M	0.60	0.60
ATPI0302180□	18 u	2.52 M	0.70	0.60
ATPI0302220□	22 u	2.52 M	1.00	0.50
ATPI0302270□	27 u	2.52 M	1.10	0.45
ATPI0302330□	33 u	2.52 M	1.30	0.40
ATPI0302390□	39 u	2.52 M	1.50	0.35
ATPI0302470□	47 u	2.52 M	2.00	0.35
ATPI0302680□	68 u	2.52 M	2.20	0.30
ATPI0302820□	82 u	2.52 M	2.80	0.25
ATPI0302101□	100 u	1 K	3.20	0.20
ATPI0302121□	120 u	1 K	4.00	0.18
ATPI0302151□	150 u	1 K	4.30	0.15
ATPI0302301□	300 u	1 K	7.00	0.10
ATPI0302331□	330 u	1 K	7.00	0.10

### NOTE :

\* The operating temperature range is -25°C to +85°C

\* □ Tolerance K :  $\pm 10\%$  , M :  $\pm 20\%$

## ◆ ATPI0403 Series Specification :

Part Number	Inductance (H)	Test Frequency (Hz)	DCR ( $\Omega$ ) Max.	Rated Current (A) Max.
ATPI04031R0□	1.0 u	7.96 M	49 m	2.56
ATPI04031R4□	1.4 u	7.96 M	57 m	2.52
ATPI04031R8□	1.8 u	7.96 M	64 m	1.95
ATPI04032R2□	2.2 u	7.96 M	72 m	1.75
ATPI04032R7□	2.7 u	7.96 M	79 m	1.58
ATPI04033R3□	3.3 u	7.96 M	87 m	1.44
ATPI04033R9□	3.9 u	7.96 M	94 m	1.33
ATPI04034R7□	4.7 u	7.96 M	109 m	1.15
ATPI04035R6□	5.6 u	7.96 M	126 m	0.99
ATPI04036R8□	6.8 u	7.96 M	132 m	0.95
ATPI04038R2□	8.2 u	7.96 M	147 m	0.84
ATPI0403100□	10 u	2.52 M	182 m	1.04
ATPI0403120□	12 u	2.52 M	210 m	0.97
ATPI0403150□	15 u	2.52 M	235 m	0.85
ATPI0403180□	18 u	2.52 M	338 m	0.74
ATPI0403220□	22 u	2.52 M	378 m	0.68
ATPI0403270□	27 u	2.52 M	522 m	0.62
ATPI0403330□	33 u	2.52 M	540 m	0.56
ATPI0403390□	39 u	2.52 M	587 m	0.52
ATPI0403470□	47 u	2.52 M	844 m	0.44
ATPI0403560□	56 u	2.52 M	937 m	0.42
ATPI0403680□	68 u	2.52 M	1117 m	0.37

### NOTE :

\* The operating temperature range is -25°C to +85°C

\* □ Tolerance K :  $\pm 10\%$  , M :  $\pm 20\%$

## ◆ ATPI0504 Series Specification :

Part Number	Inductance (H)	Test Frequency (Hz)	DCR (Ω) Max.	Rated Current (A) Max.
ATPI0504100□	10 u	2.52 M	0.10	1.44
ATPI0504120□	12 u	2.52 M	0.12	1.40
ATPI0504150□	15 u	2.52 M	0.14	1.30
ATPI0504180□	18 u	2.52 M	0.15	1.23
ATPI0504220□	22 u	2.52 M	0.18	1.11
ATPI0504270□	27 u	2.52 M	0.20	0.97
ATPI0504330□	33 u	2.52 M	0.23	0.88
ATPI0504390□	39 u	2.52 M	0.32	0.80
ATPI0504470□	47 u	2.52 M	0.37	0.72
ATPI0504560□	56 u	2.52 M	0.42	0.68
ATPI0504680□	68 u	2.52 M	0.46	0.61
ATPI0504820□	82 u	2.52 M	0.60	0.58
ATPI0504101□	100 u	1 K	0.70	0.52
ATPI0504121□	120 u	1 K	0.93	0.78
ATPI0504151□	150 u	1 K	1.10	0.40
ATPI0504181□	180 u	1 K	1.38	0.38
ATPI0504221□	220 u	1 K	1.57	0.35

### NOTE :

\* The operating temperature range is -25°C to +85°C

\* □ Tolerance K : ±10% , M : ±20%

## ◆ ATPI0703 Series Specification :

Part Number	Inductance (H)	Test Frequency (Hz)	DCR ( $\Omega$ ) Max.	Rated Current (A) Max.
ATPI0703100□	10 u	2.52 M	0.081	1.44
ATPI0703120□	12 u	2.52 M	0.090	1.39
ATPI0703150□	15 u	2.52 M	0.104	1.24
ATPI0703180□	18 u	2.52 M	0.111	1.12
ATPI0703220□	22 u	2.52 M	0.129	1.07
ATPI0703270□	27 u	2.52 M	0.153	0.94
ATPI0703330□	33 u	2.52 M	0.170	0.85
ATPI0703390□	39 u	2.52 M	0.217	0.74
ATPI0703470□	47 u	2.52 M	0.252	0.68
ATPI0703560□	56 u	2.52 M	0.282	0.64
ATPI0703680□	68 u	2.52 M	0.332	0.59
ATPI0703820□	82 u	2.52 M	0.406	0.54
ATPI0703101□	100 u	1 K	0.481	0.51
ATPI0703121□	120 u	1 K	0.536	0.49
ATPI0703151□	150 u	1 K	0.755	0.40
ATPI0703181□	180 u	1 K	1.022	0.36
ATPI0703221□	220 u	1 K	1.200	0.31
ATPI0703271□	270 u	1 K	1.306	0.29
ATPI0703331□	330 u	1 K	1.495	0.28

### NOTE :

\* The operating temperature range is  $-25^{\circ}\text{C}$  to  $+85^{\circ}\text{C}$

\* □ Tolerance K :  $\pm 10\%$  , M :  $\pm 20\%$

## ◆ ATPI0705 Series Specification :

Part Number	Inductance (H)	Test Frequency (Hz)	DCR ( $\Omega$ ) Max.	Rated Current (A) Max.
ATPI0705100□	10 u	2.52 M	0.07	2.30
ATPI0705120□	12 u	2.52 M	0.08	2.00
ATPI0705150□	15 u	2.52 M	0.09	1.80
ATPI0705180□	18 u	2.52 M	0.10	1.60
ATPI0705220□	22 u	2.52 M	0.11	1.50
ATPI0705270□	27 u	2.52 M	0.12	1.30
ATPI0705330□	33 u	2.52 M	0.13	1.20
ATPI0705390□	39 u	2.52 M	0.16	1.10
ATPI0705470□	47 u	2.52 M	0.18	1.10
ATPI0705560□	56 u	2.52 M	0.24	0.94
ATPI0705680□	68 u	2.52 M	0.28	0.85
ATPI0705820□	82 u	2.52 M	0.37	0.78
ATPI0705101□	100 u	1 K	0.43	0.72
ATPI0705121□	120 u	1 K	0.47	0.66
ATPI0705151□	150 u	1 K	0.64	0.58
ATPI0705181□	180 u	1 K	0.71	0.51
ATPI0705221□	220 u	1 K	0.96	0.49
ATPI0705271□	270 u	1 K	1.11	0.42
ATPI0705331□	330 u	1 K	1.26	0.40
ATPI0705391□	390 u	1 K	1.77	0.36
ATPI0705471□	470 u	1 K	1.96	0.34

### NOTE :

\* The operating temperature range is -25°C to +85°C

\* □ Tolerance K :  $\pm 10\%$  , M :  $\pm 20\%$

## ◆ ATPI1004 Series Specification :

Part Number	Inductance (H)	Test Frequency (Hz)	DCR ( $\Omega$ ) Max.	Rated Current (A) Max.
ATPI1004100□	10 u	2.52 M	0.053	2.38
ATPI1004120□	12 u	2.52 M	0.061	2.13
ATPI1004150□	15 u	2.52 M	0.070	1.87
ATPI1004180□	18 u	2.52 M	0.081	1.73
ATPI1004220□	22 u	2.52 M	0.088	1.60
ATPI1004270□	27 u	2.52 M	0.100	1.44
ATPI1004330□	33 u	2.52 M	0.120	1.26
ATPI1004390□	39 u	2.52 M	0.151	1.20
ATPI1004470□	47 u	2.52 M	0.170	1.10
ATPI1004560□	56 u	2.52 M	0.199	1.01
ATPI1004680□	68 u	2.52 M	0.223	0.91
ATPI1004820□	82 u	2.52 M	0.252	0.85
ATPI1004101□	100 u	1 K	0.344	0.74
ATPI1004121□	120 u	1 K	0.396	0.69
ATPI1004151□	150 u	1 K	0.544	0.61
ATPI1004181□	180 u	1 K	0.621	0.56
ATPI1004221□	220 u	1 K	0.721	0.53
ATPI1004271□	270 u	1 K	0.949	0.45
ATPI1004331□	330 u	1 K	1.100	0.42
ATPI1004391□	390 u	1 K	1.245	0.38
ATPI1004471□	470 u	1 K	1.526	0.35
ATPI1004561□	560 u	1 K	1.904	0.32

### NOTE :

\* The operating temperature range is -25°C to +85°C

\* □ Tolerance K :  $\pm 10\%$  , M :  $\pm 20\%$

## ◆ ATPI1005 Series Specification :

Part Number	Inductance (H)	Test Frequency (Hz)	DCR ( $\Omega$ ) Max.	Rated Current (A) Max.
ATPI1005100□	10 u	2.52 M	0.06	2.60
ATPI1005120□	12 u	2.52 M	0.07	2.45
ATPI1005150□	15 u	2.52 M	0.08	2.27
ATPI1005180□	18 u	2.52 M	0.09	2.15
ATPI1005220□	22 u	2.52 M	0.10	1.95
ATPI1005270□	27 u	2.52 M	0.11	1.76
ATPI1005330□	33 u	2.52 M	0.12	1.50
ATPI1005390□	39 u	2.52 M	0.14	1.37
ATPI1005470□	47 u	2.52 M	0.17	1.28
ATPI1005560□	56 u	2.52 M	0.19	1.17
ATPI1005680□	68 u	2.52 M	0.22	1.11
ATPI1005820□	82 u	2.52 M	0.25	1.00
ATPI1005101□	100 u	1 K	0.35	0.97
ATPI1005121□	120 u	1 K	0.40	0.89
ATPI1005151□	150 u	1 K	0.47	0.78
ATPI1005181□	180 u	1 K	0.63	0.72
ATPI1005221□	220 u	1 K	0.73	0.66
ATPI1005271□	270 u	1 K	0.97	0.57
ATPI1005331□	330 u	1 K	1.15	0.52
ATPI1005391□	390 u	1 K	1.30	0.48
ATPI1005471□	470 u	1 K	1.48	0.42
ATPI1005561□	560 u	1 K	1.90	0.33
ATPI1005681□	680 u	1 K	2.25	0.28
ATPI1005821□	820 u	1 K	2.55	0.24

### NOTE :

\* The operating temperature range is -25°C to +85°C

\* □ Tolerance K :  $\pm 10\%$  , M :  $\pm 20\%$