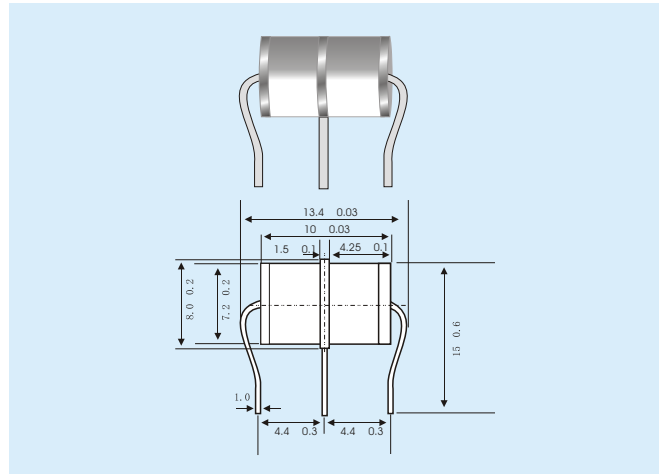


### B3R小通流容量管系列

### (B3R Light-Duty Types)



型号 Type	标称直流 击穿电压 DC Breakdown Voltage 100v/s	直流击穿 电压范围 Tolerance of Vs	冲击击穿电压 Impulse Spark-over Voltage 1kV/μs	绝缘阻抗 Insulation Resistance		耐冲击电流 Impulse Discharge Current 8/20 μs	耐工频电流 Alternating Discharge Current 50Hz	电容 C 10kHz @0.3V
	V	%	V	GΩ	DC	KA	A	PF
B3R090L	90	25	≤700	≥10	50V	5	5	≤2
B3R230L	230	20	≤800	≥10	100V	5	5	≤2
B3R350L	350	20	≤800	≥10	100V	5	5	≤2
B3R420L	420	20	≤900	≥10	100V	5	5	≤2
B3R470L	470	20	≤900	≥10	250V	5	5	≤2
B3R600L	600	20	≤1200	≥10	250V	5	5	≤2

### B3R中通流容量管系列(外形与B3R小通流容量管系列相同)

B3R Medium-Duty Types  
(Outline same as B3R Light-Duty Types)

B3R090M	90	25	≤700	≥10	50V	10	10	≤2
B3R230M	230	20	≤800	≥10	100V	10	10	≤2
B3R350M	350	20	≤800	≥10	100V	10	10	≤2
B3R420M	420	20	≤900	≥10	100V	10	10	≤2
B3R470M	470	20	≤900	≥10	250V	10	10	≤2
B3R600M	600	20	≤1200	≥10	250V	10	10	≤2

### B3R高通流容量管系列(外形与B3R小通流容量管系列相同)

B3R High-Duty Types  
(Outline same as B3R Light-Duty Types)

B3R090H	90	25	≤700	≥10	50V	20	20	≤2
B3R230H	230	20	≤800	≥10	100V	20	20	≤2
B3R350H	350	20	≤800	≥10	100V	20	20	≤2
B3R420H	420	20	≤900	≥10	100V	20	20	≤2
B3R470H	470	20	≤900	≥10	250V	20	20	≤2
B3R600H	600	20	≤1200	≥10	250V	20	20	≤2

